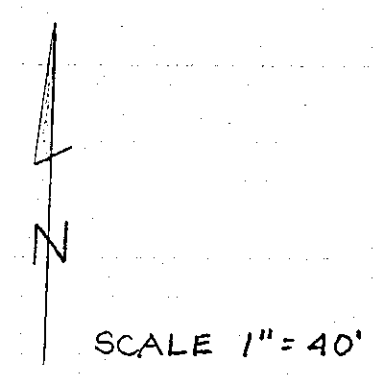
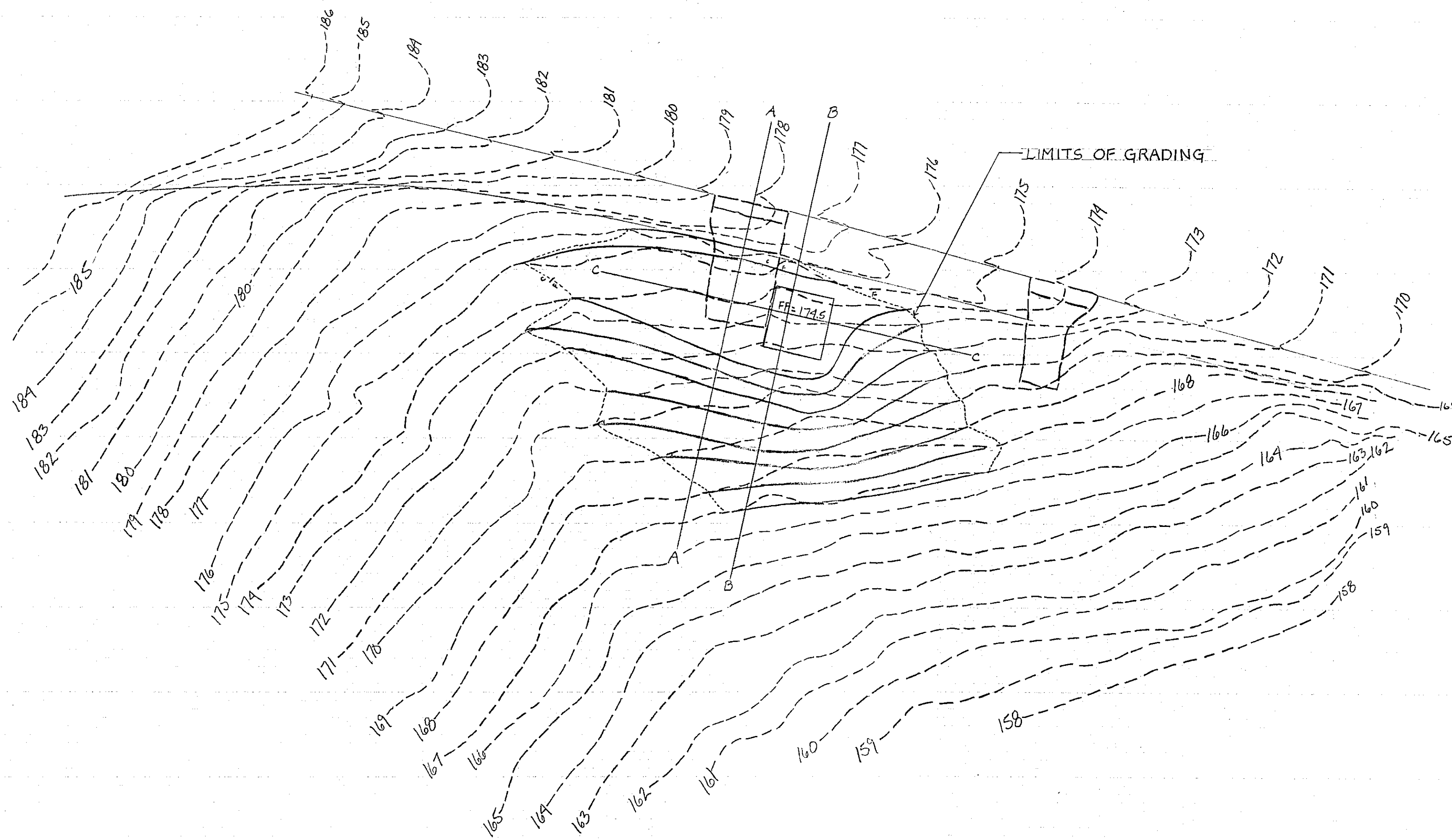
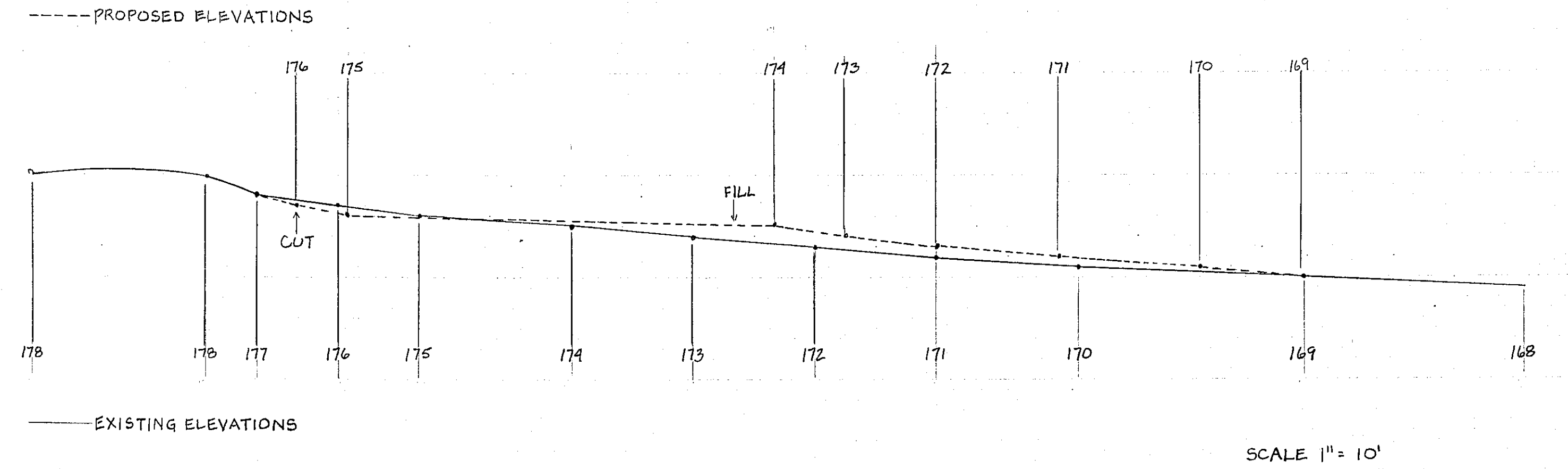


GENERAL NOTES:

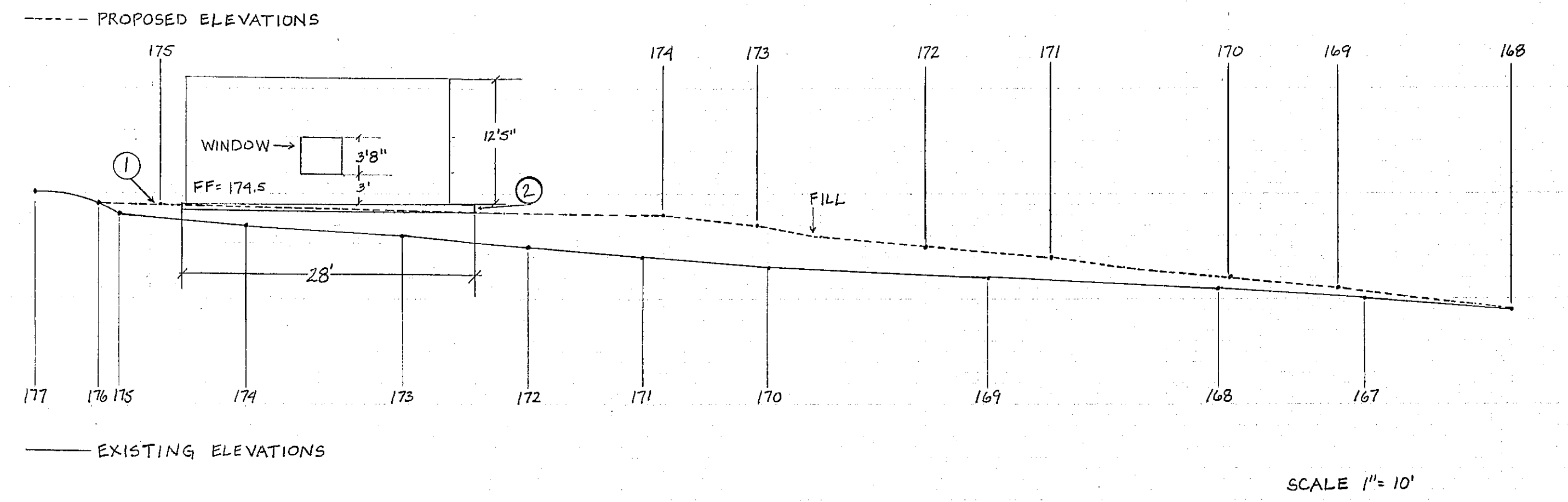
1. FILL MATERIAL TO BE EXCAVATED FROM A SITE DESIGNATED BY THE ENGINEER THAT IS WITHIN 1 MILE.
2. SEE DETAIL H, PAGE 11, FOR BLDG SLAB SPECIFICATIONS
3. DRIVEWAY TO HAVE 2% GRADE AWAY FROM BLDG.
4. HANDICAPPED ACCESS RAMP TO HAVE MAXIMUM GRADE OF 7%.
- REFER TO PAGE 4 FOR DIMENSIONS & LOCATION



PROFILE - SECTION A, DRIVEWAY



PROFILE - SECTION B, BUILDING SLAB



PROFILE - SECTION C, DRIVEWAY & SLAB

