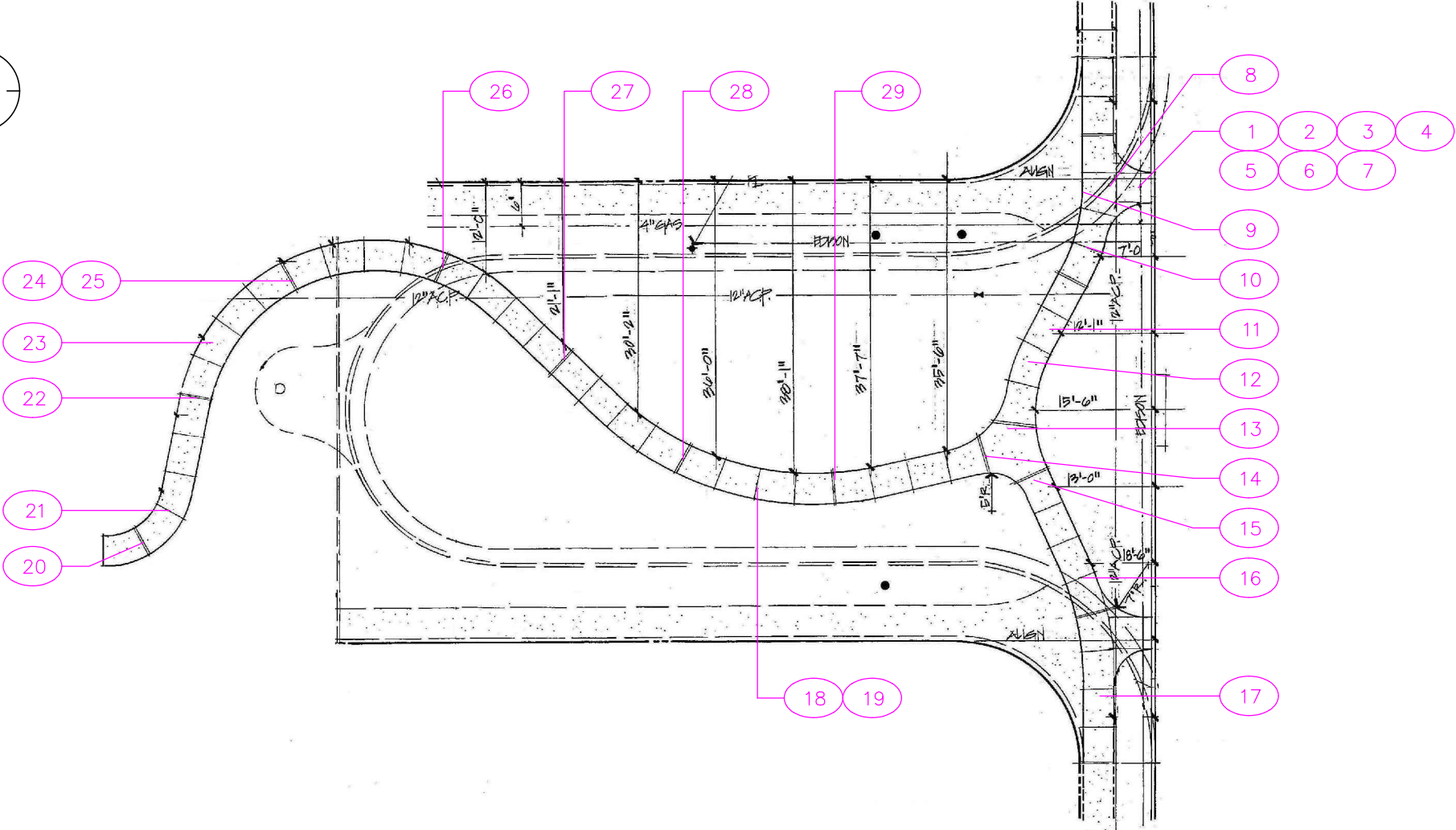
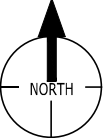


FACILITY ID #3 - CLOVERCLIFF PARK

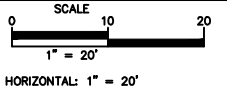
28801 Golden Meadow Dr, Rancho Palos Verdes, CA 90275



CITY OF RANCHO PALOS VERDES	
DIRECTOR OF PUBLIC WORKS	DATE

NO.	DATE	DESCRIPTION	APPROVED
REVISIONS			

DESIGNED —
 DRAWN — EK
 CHECKED — LA
 DATE 2/1/2019



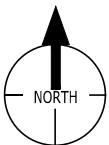
CITY OF RANCHO PALOS VERDES



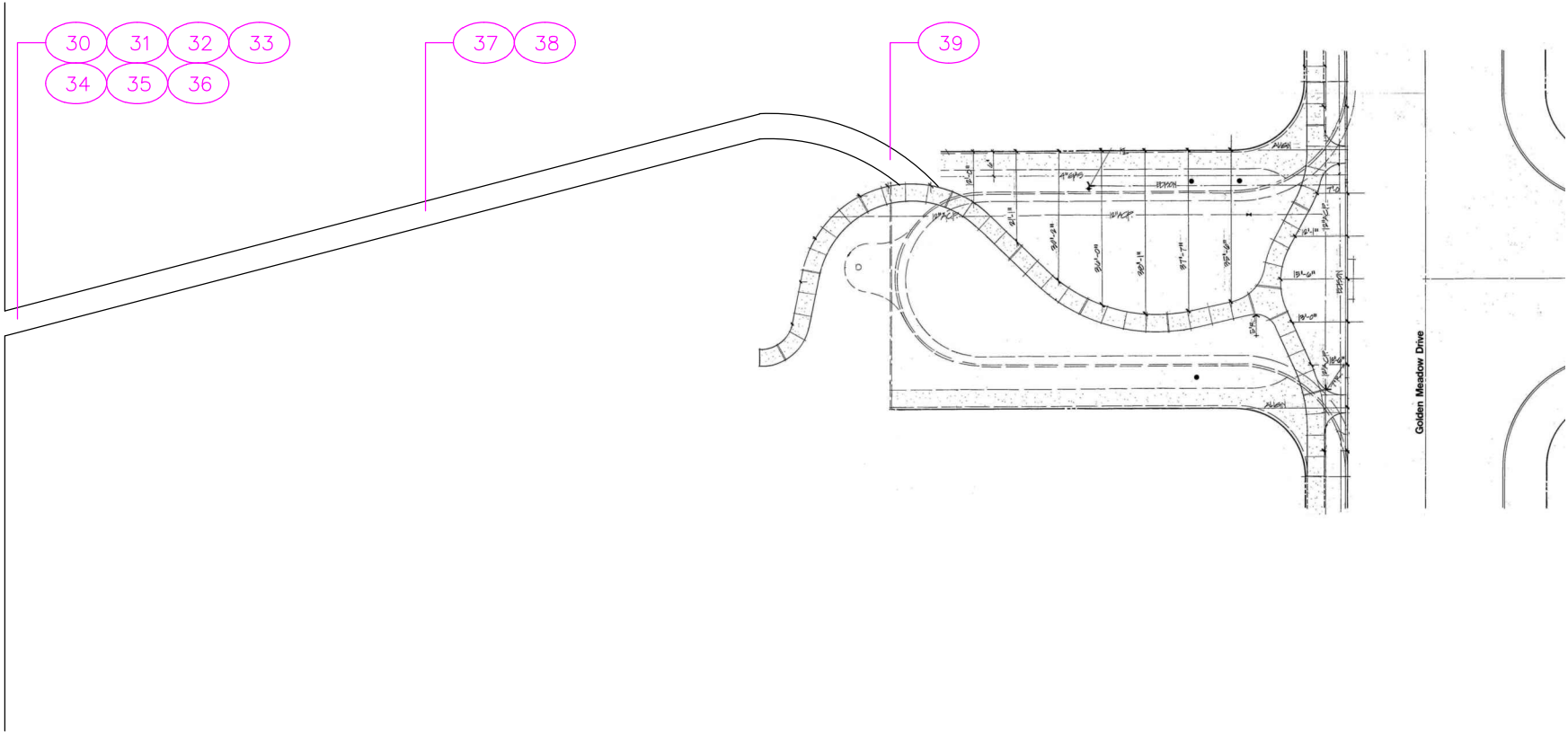
CITY OF RANCHO PALOS VERDES
ACCESSIBILITY SELF-EVALUATION AND TRANSITION PLAN

SHEET 1 OF 2
 SHT. 1
 PROJECT NO. 012811

FACILITY ID #3 - CLOVERCLIFF PARK
 28801 Golden Meadow Dr, Rancho Palos Verdes, CA 90275



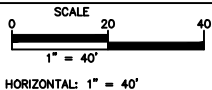
VIA CASTILLA



Golden Meadow Drive

NO.	DATE	DESCRIPTION	APPROVED
REVISIONS			

DESIGNED —
 DRAWN EK
 CHECKED LA
 DATE 9/1/2019



CITY OF RANCHO PALOS VERDES



CITY OF RANCHO PALOS VERDES
 ACCESSIBILITY SELF-EVALUATION AND TRANSITION PLAN

CITY OF RANCHO PALOS VERDES

 DIRECTOR OF PUBLIC WORKS DATE