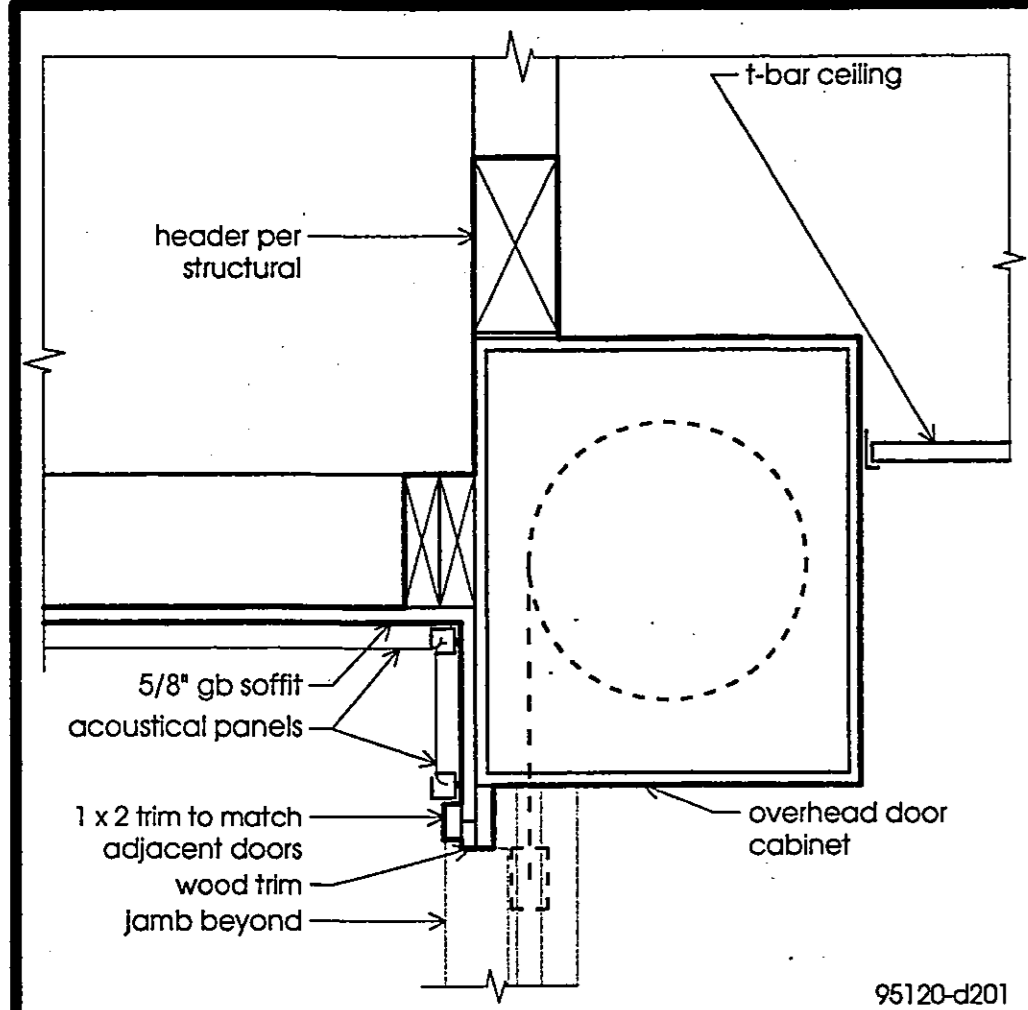
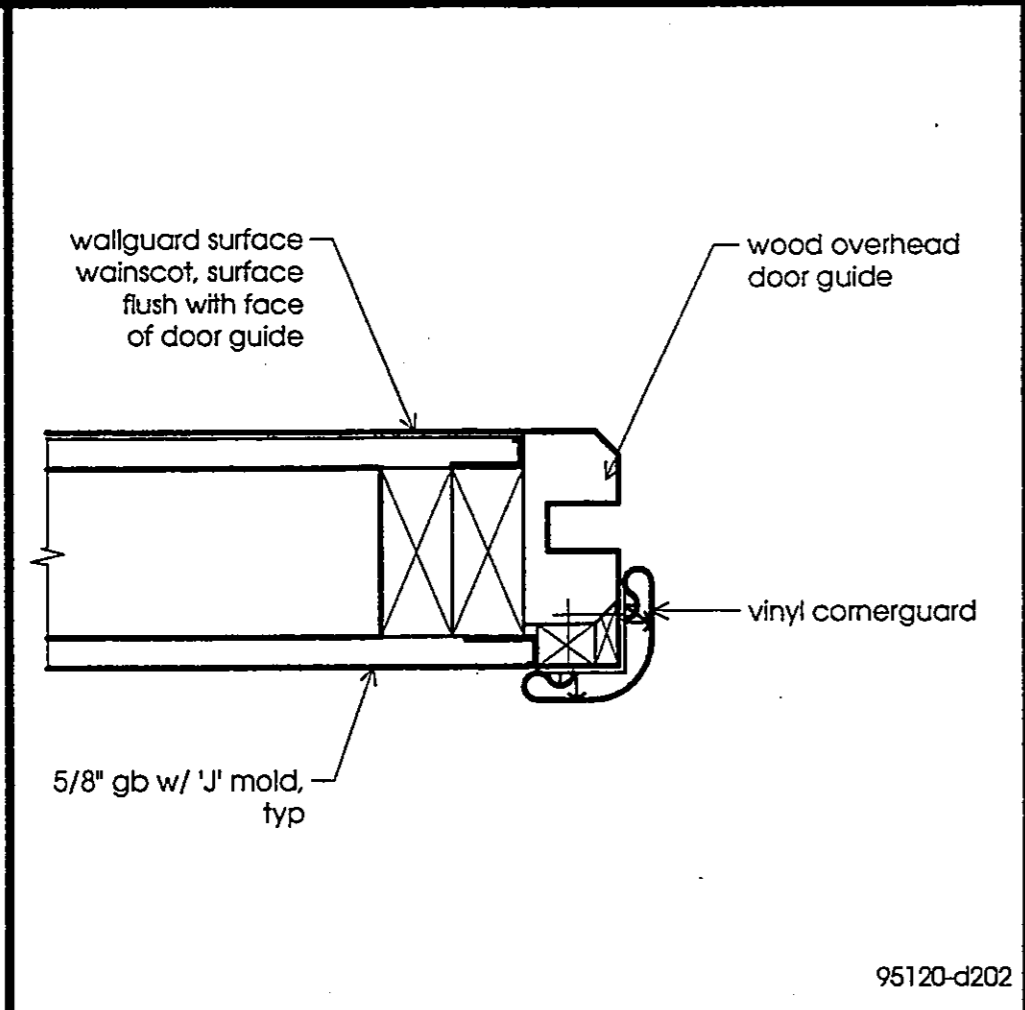


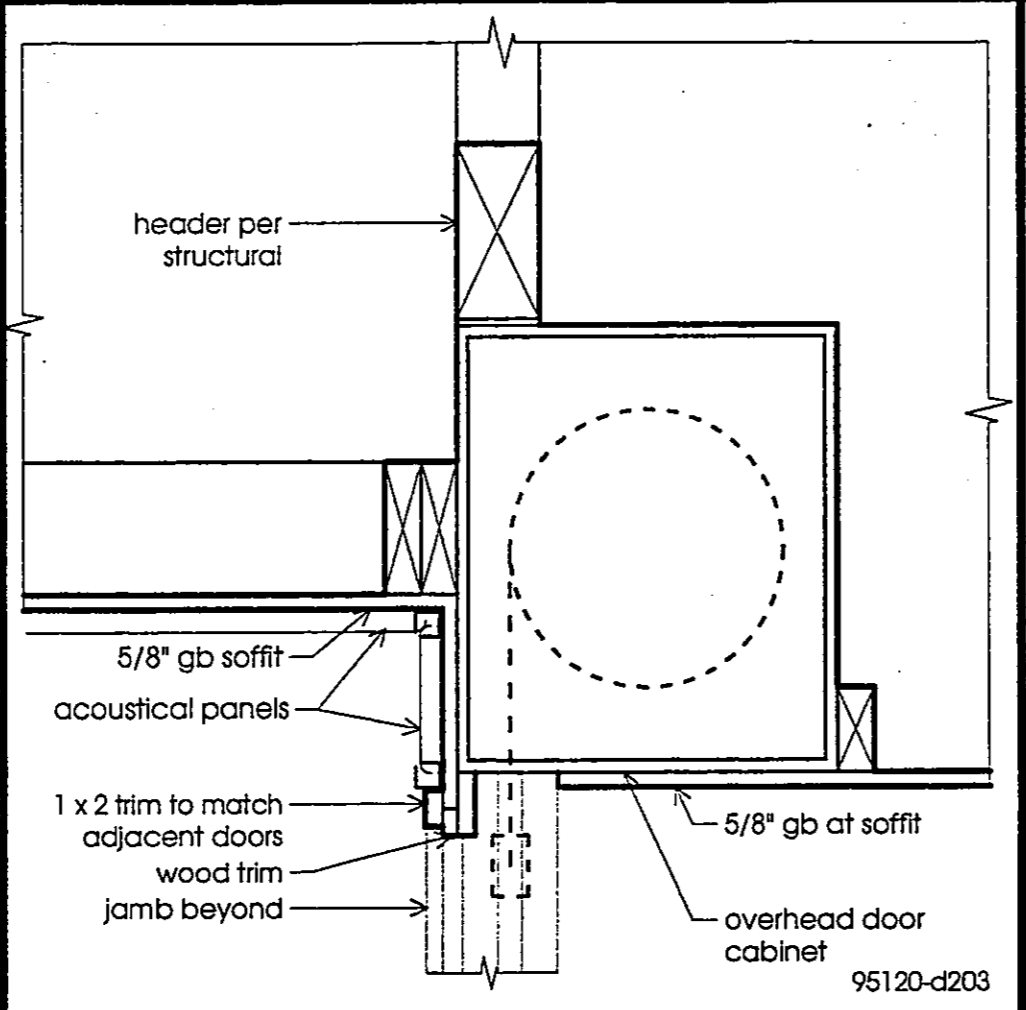
1. test dimension
2. wall
3. ceiling
4. floor
5. window
6. door
7. base
8. detail
9. paper edges
10. scratch



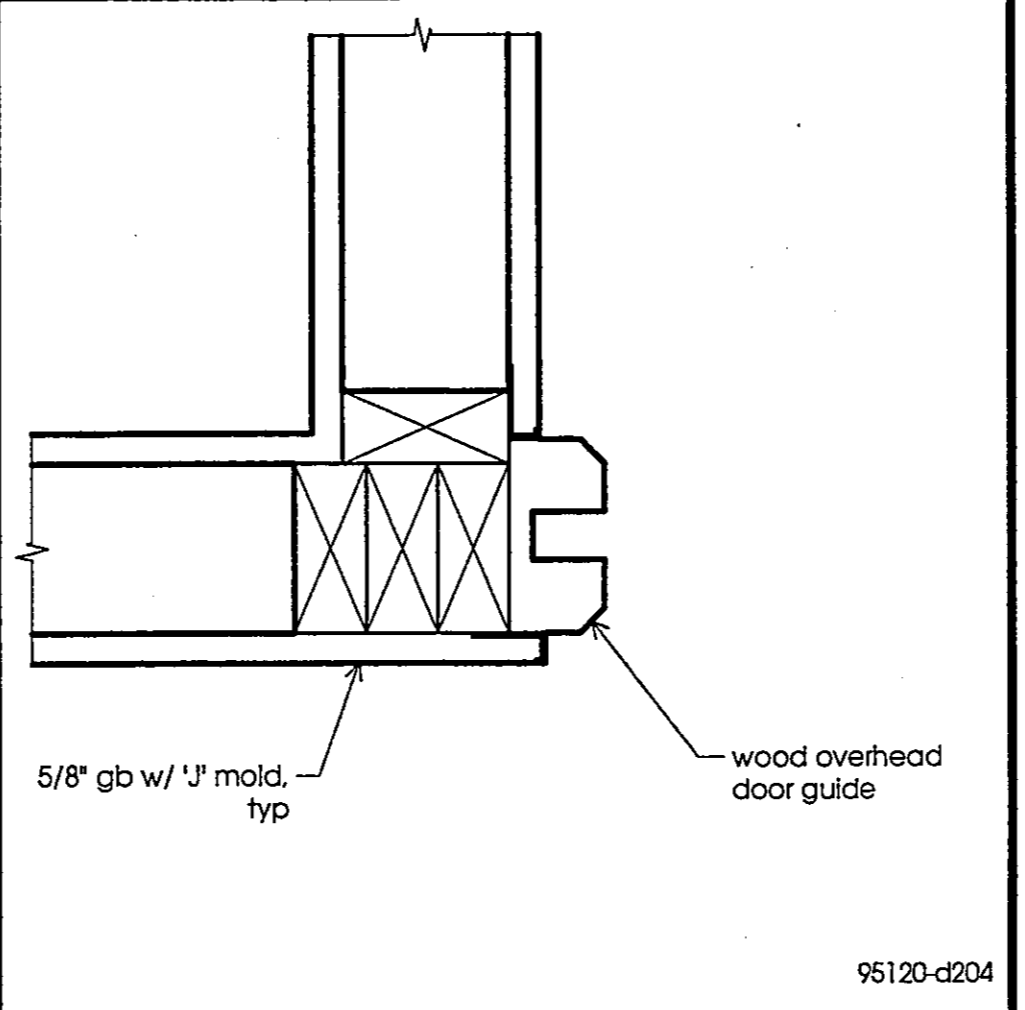
OVERHEAD DOOR HEAD Scale: 1 1/2" = 1'-0" **1**



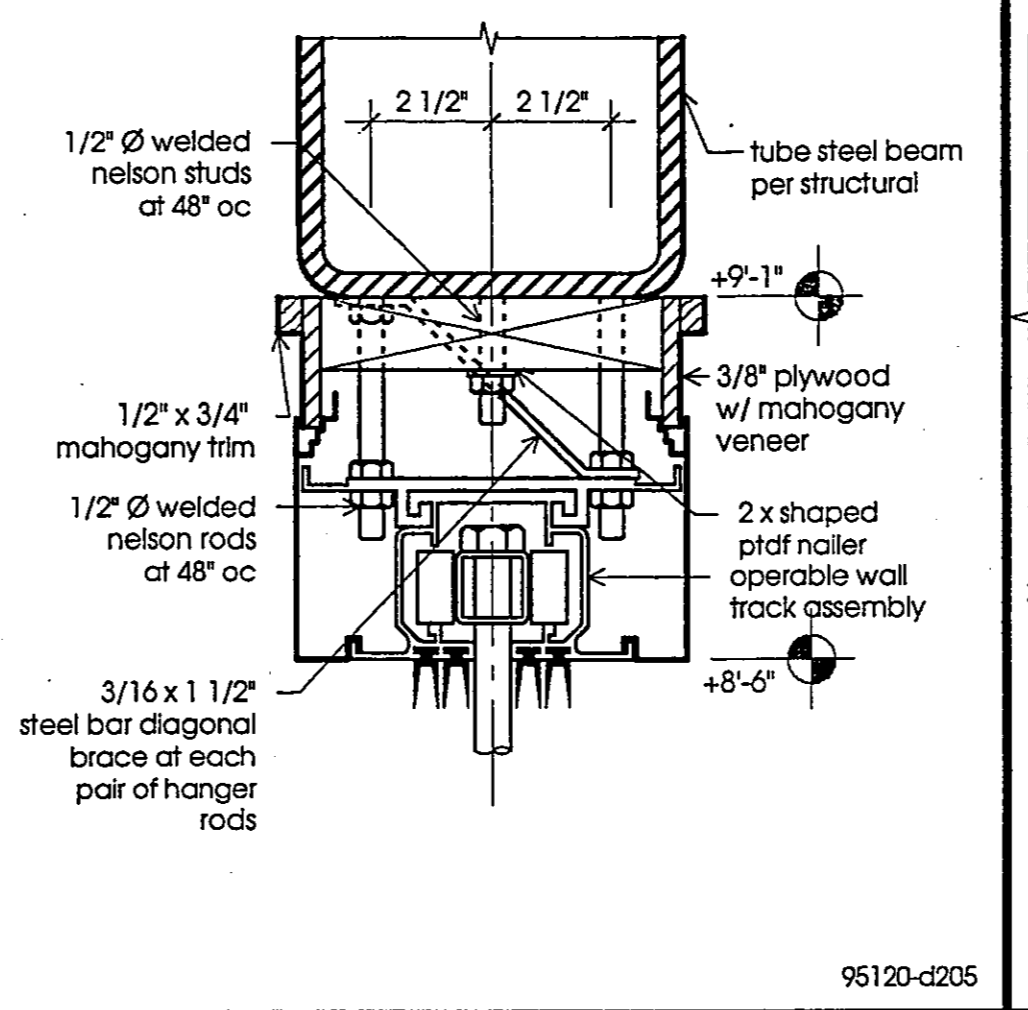
OVERHEAD DOOR JAMB Scale: 3" = 1'-0" **2**



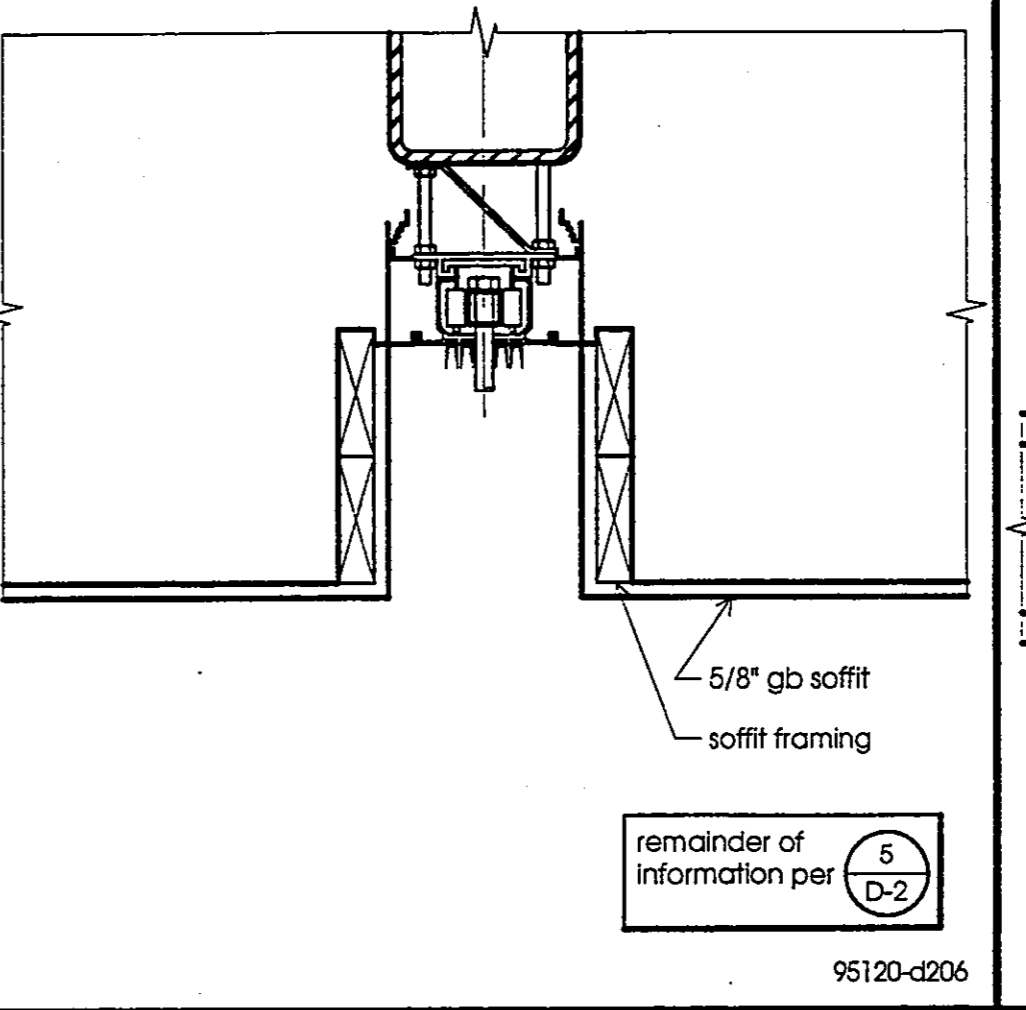
OVERHEAD DOOR HEAD Scale: 1 1/2" = 1'-0" **3**



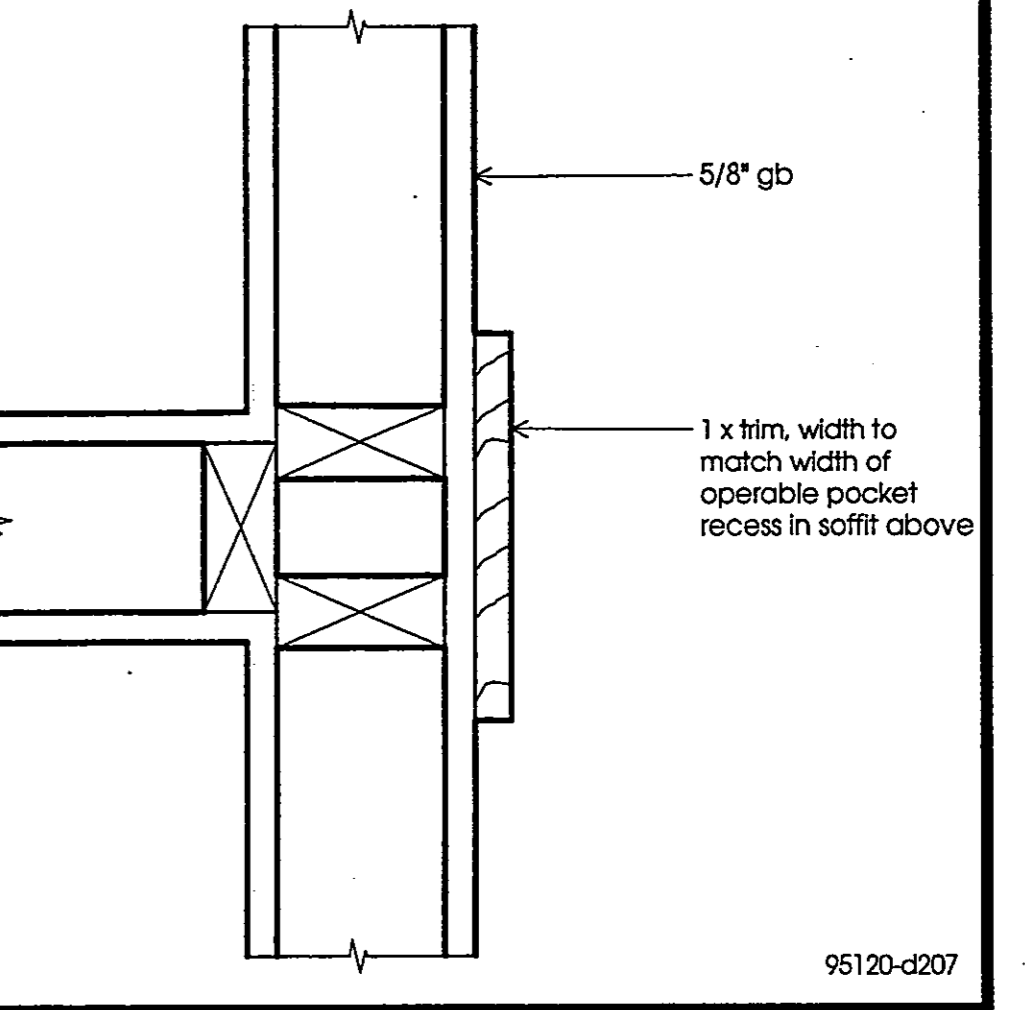
OVERHEAD DOOR JAMB Scale: 1 1/2" = 1'-0" **4**



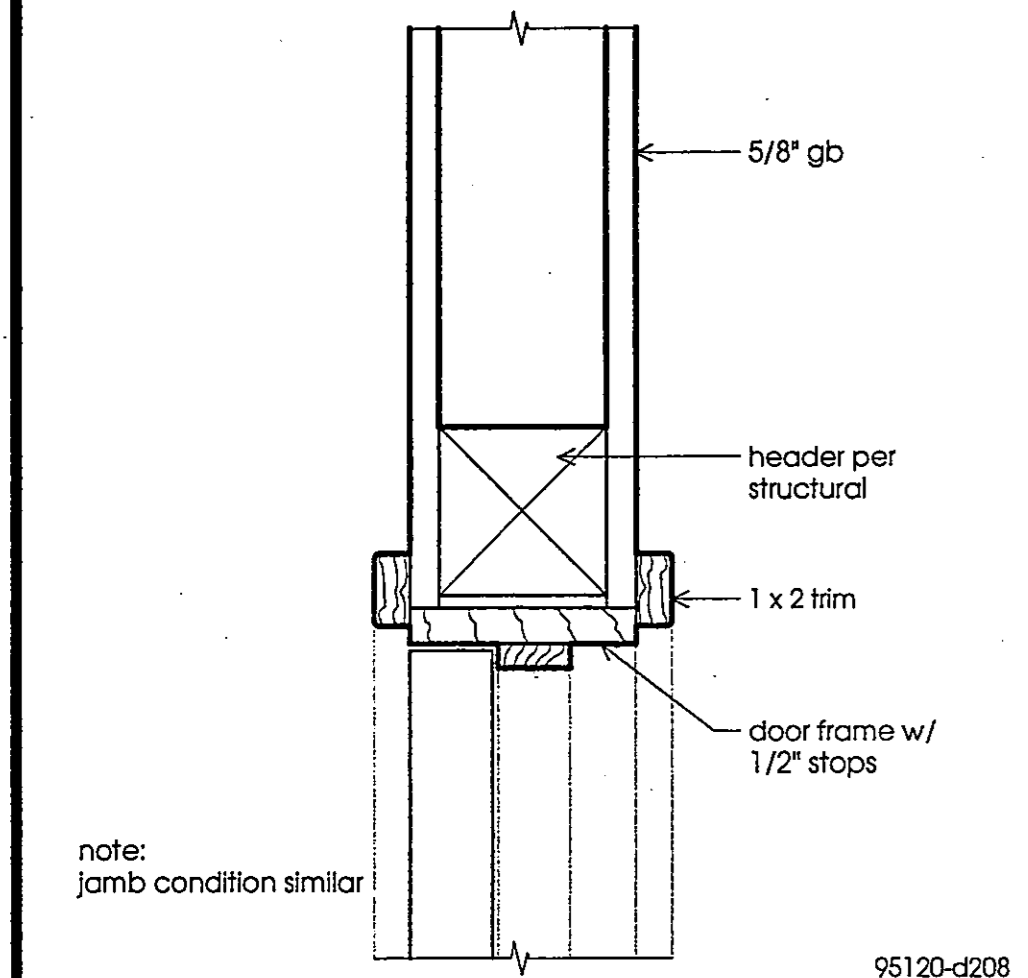
OPERABLE WALL HEAD Scale: 3" = 1'-0" **5**



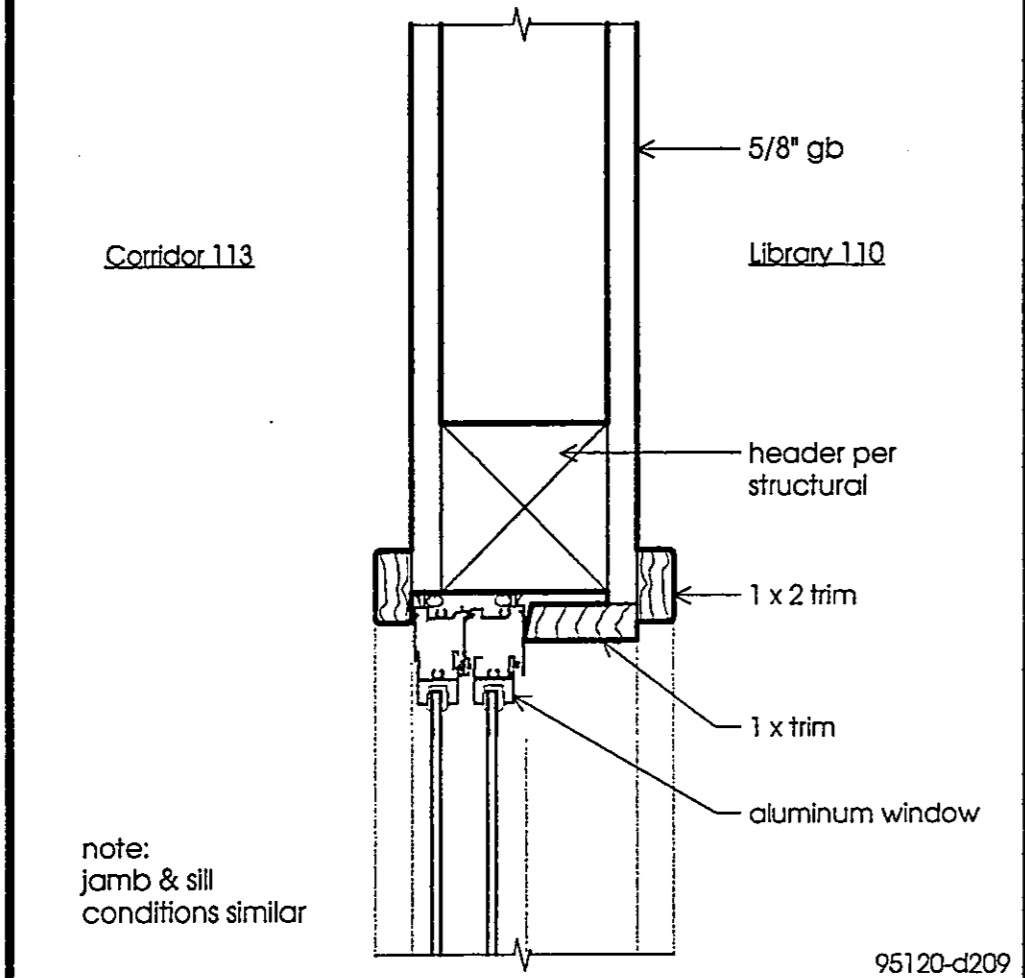
OPERABLE WALL HEAD Scale: 1 1/2" = 1'-0" **6**



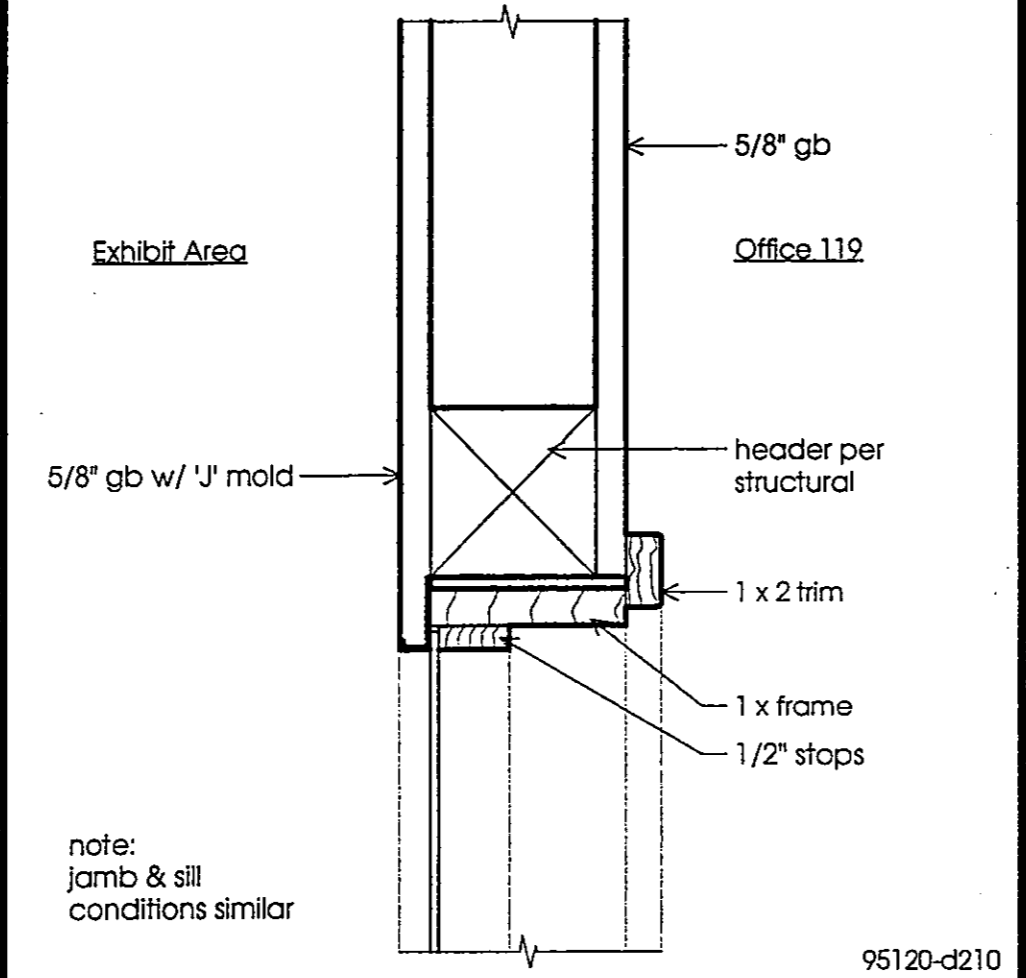
OPERABLE WALL JAMB Scale: 3" = 1'-0" **7**



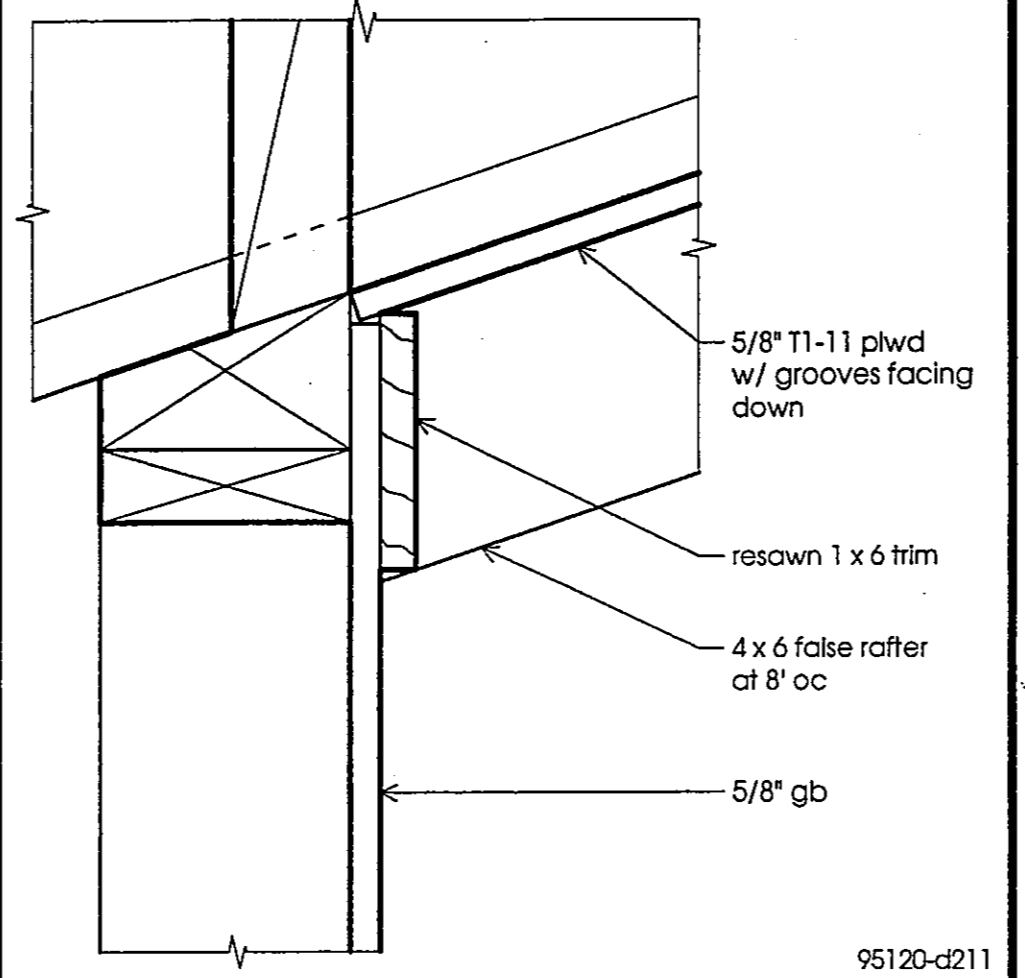
INTERIOR DOOR HEAD Scale: 3" = 1'-0" **8**



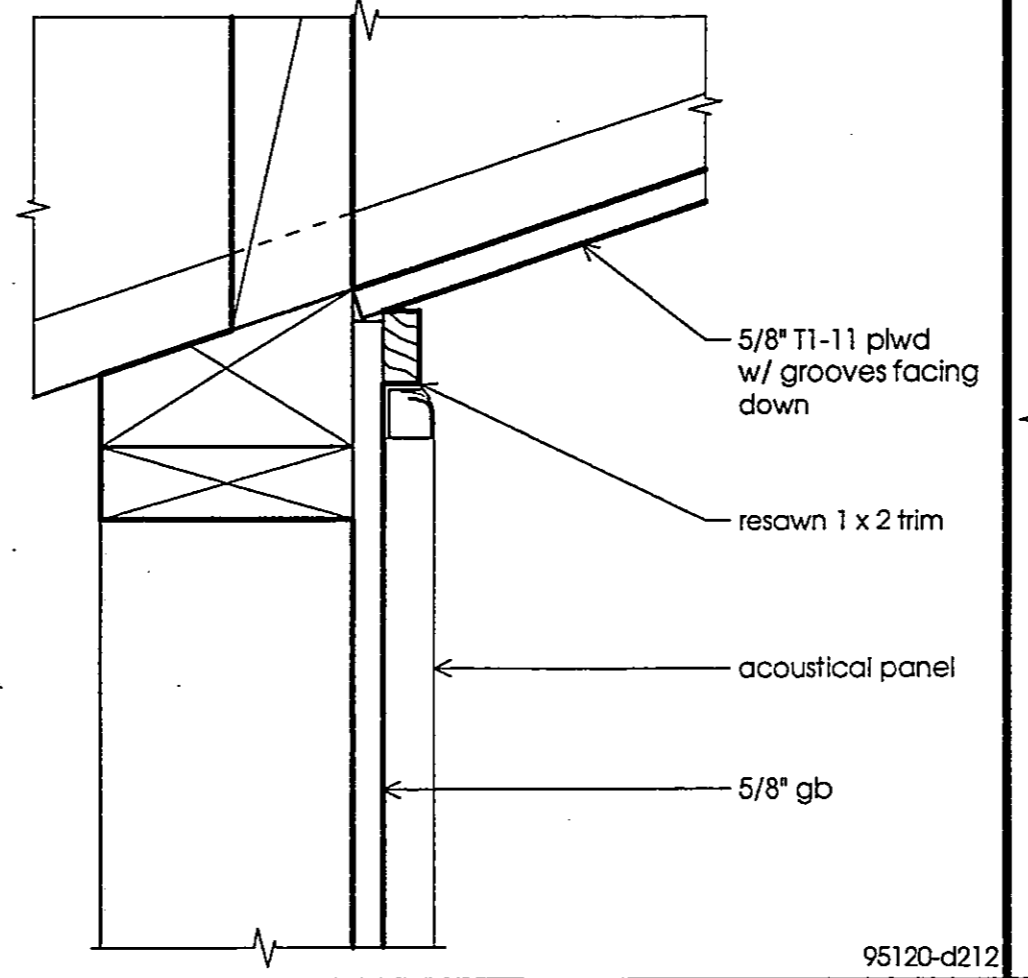
INTERIOR WINDOW HEAD Scale: 3" = 1'-0" **9**



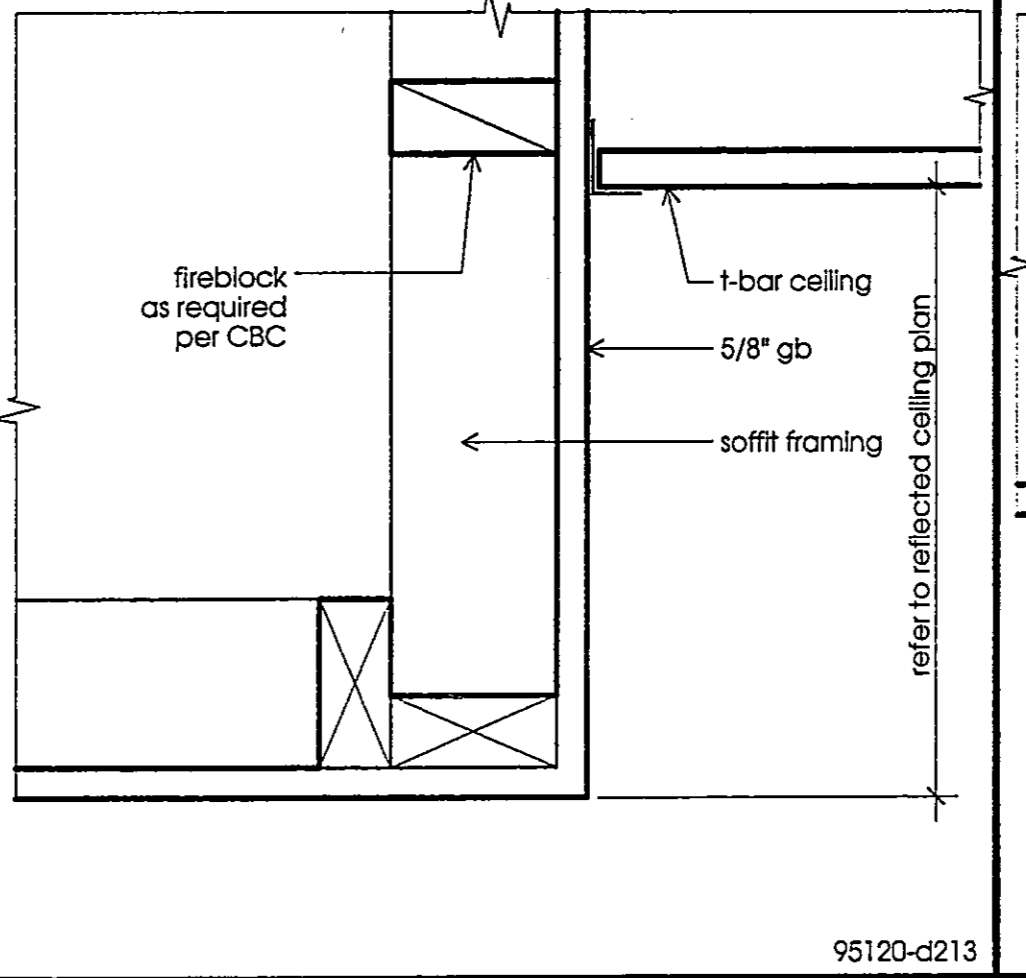
INTERIOR WINDOW HEAD Scale: 3" = 1'-0" **10**



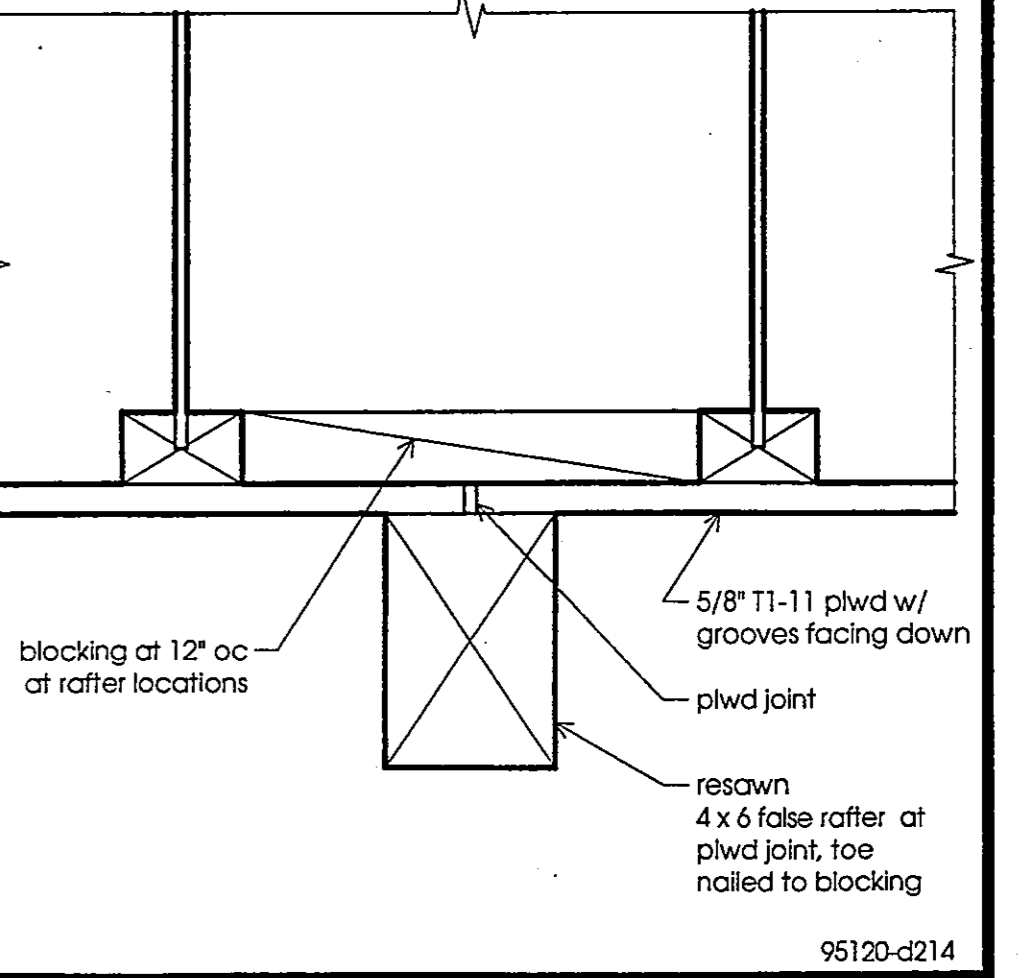
CEILING TRIM Scale: 3" = 1'-0" **11**



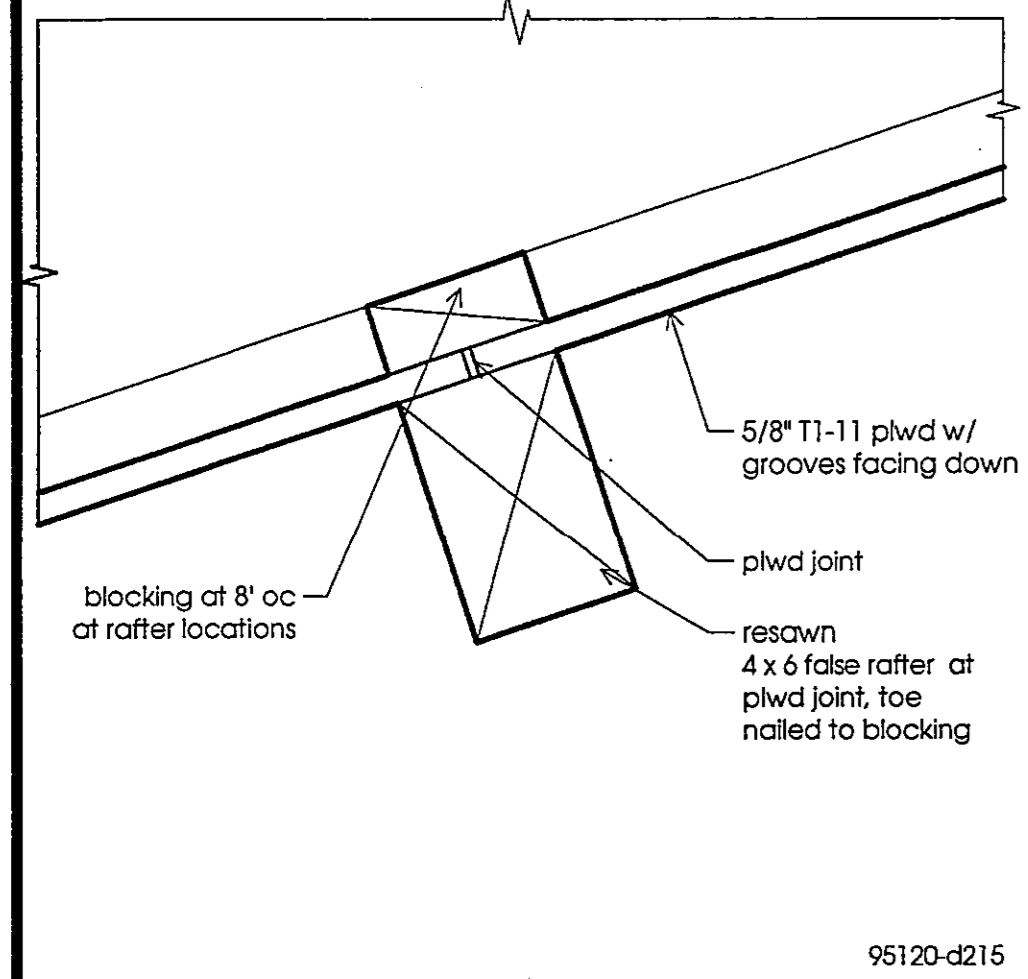
CEILING TRIM Scale: 3" = 1'-0" **12**



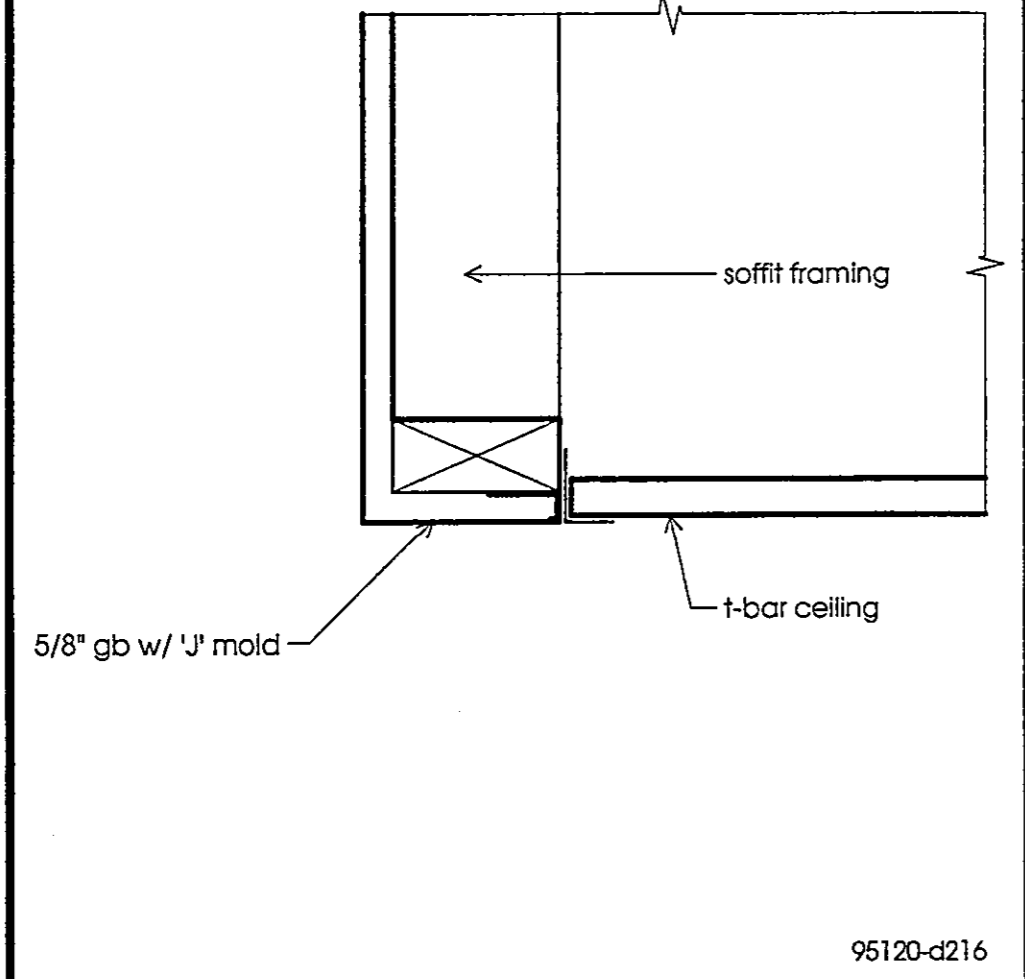
SOFFIT Scale: 3" = 1'-0" **13**



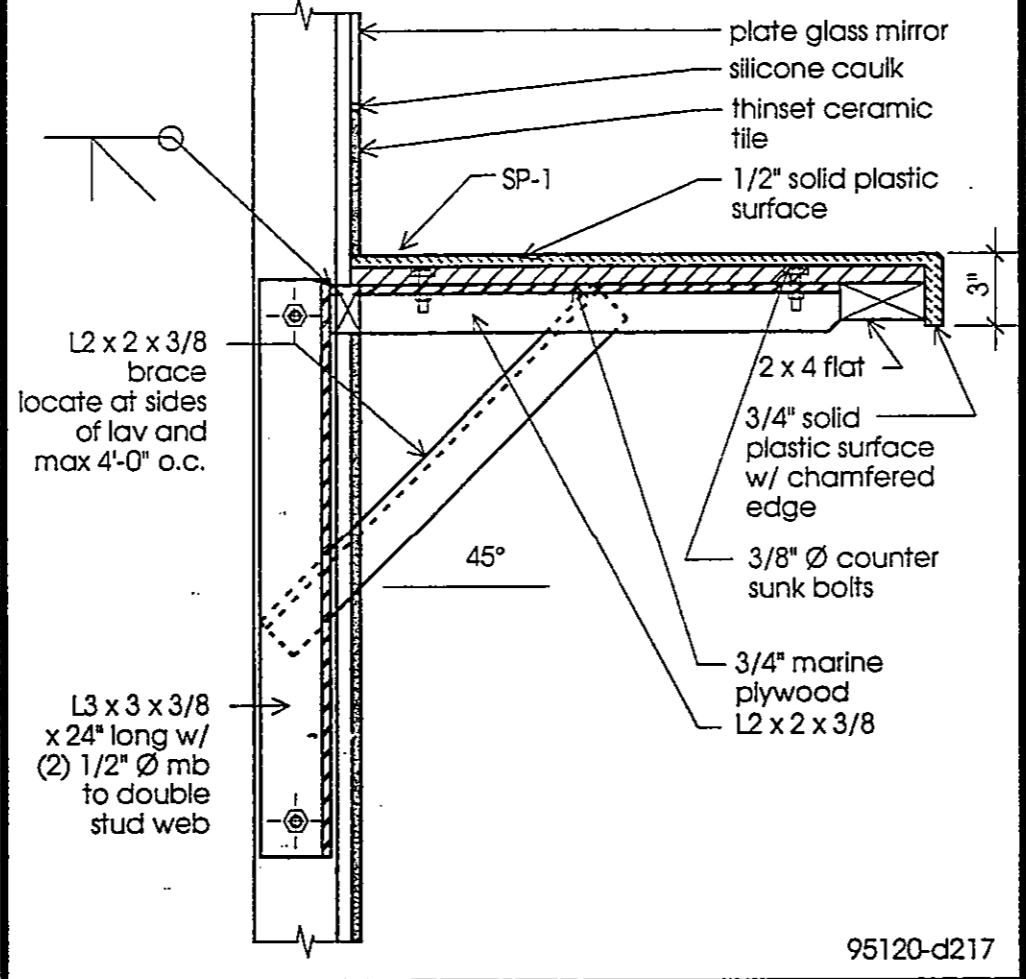
NON-STRUCT. FALSE RAFT. Scale: 3" = 1'-0" **14**



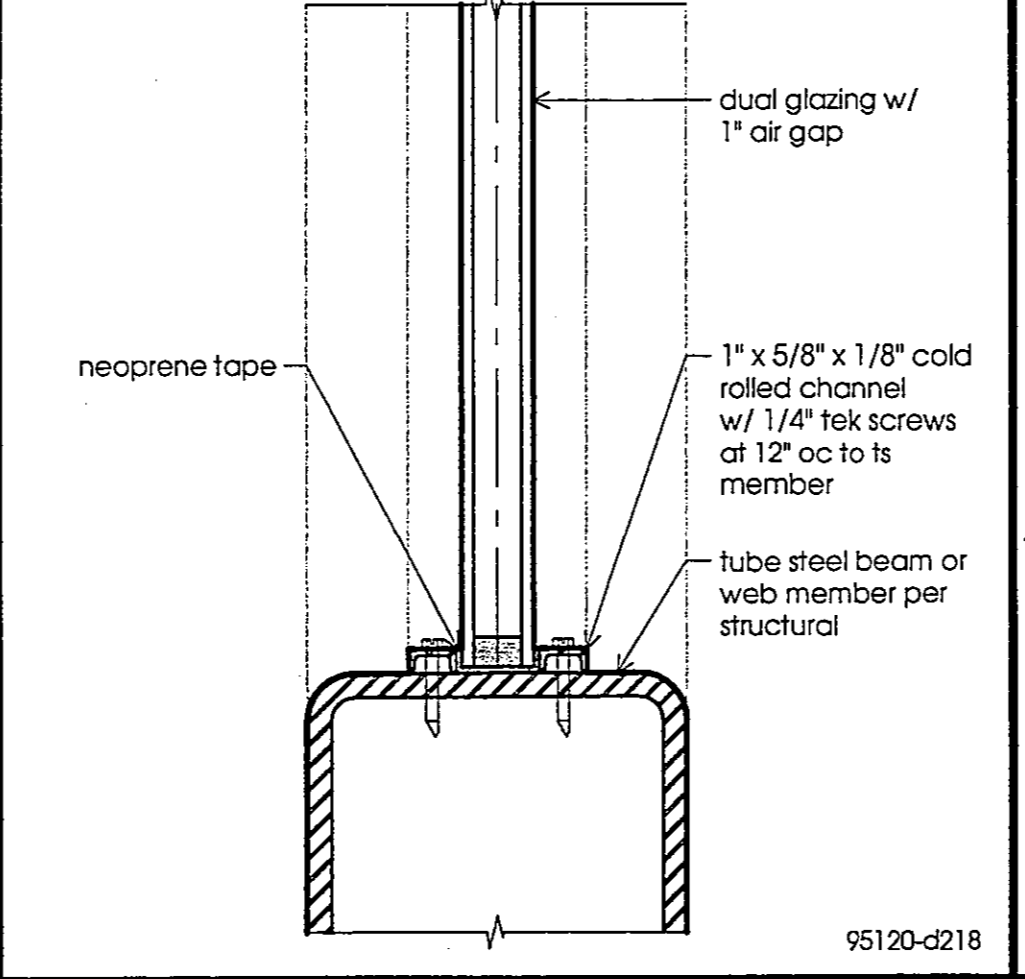
NON-STRUCT. FALSE RAFT. Scale: 3" = 1'-0" **15**



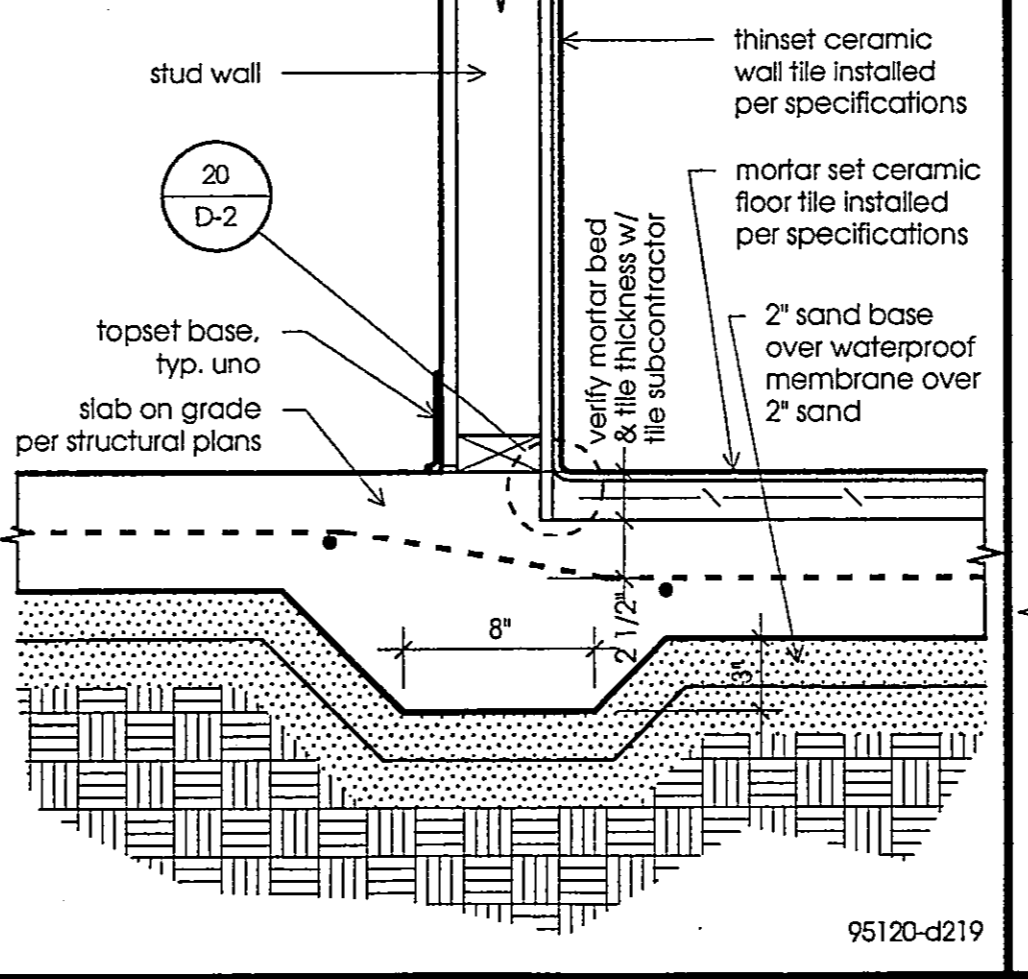
CEILING TRANSITION Scale: 3" = 1'-0" **16**



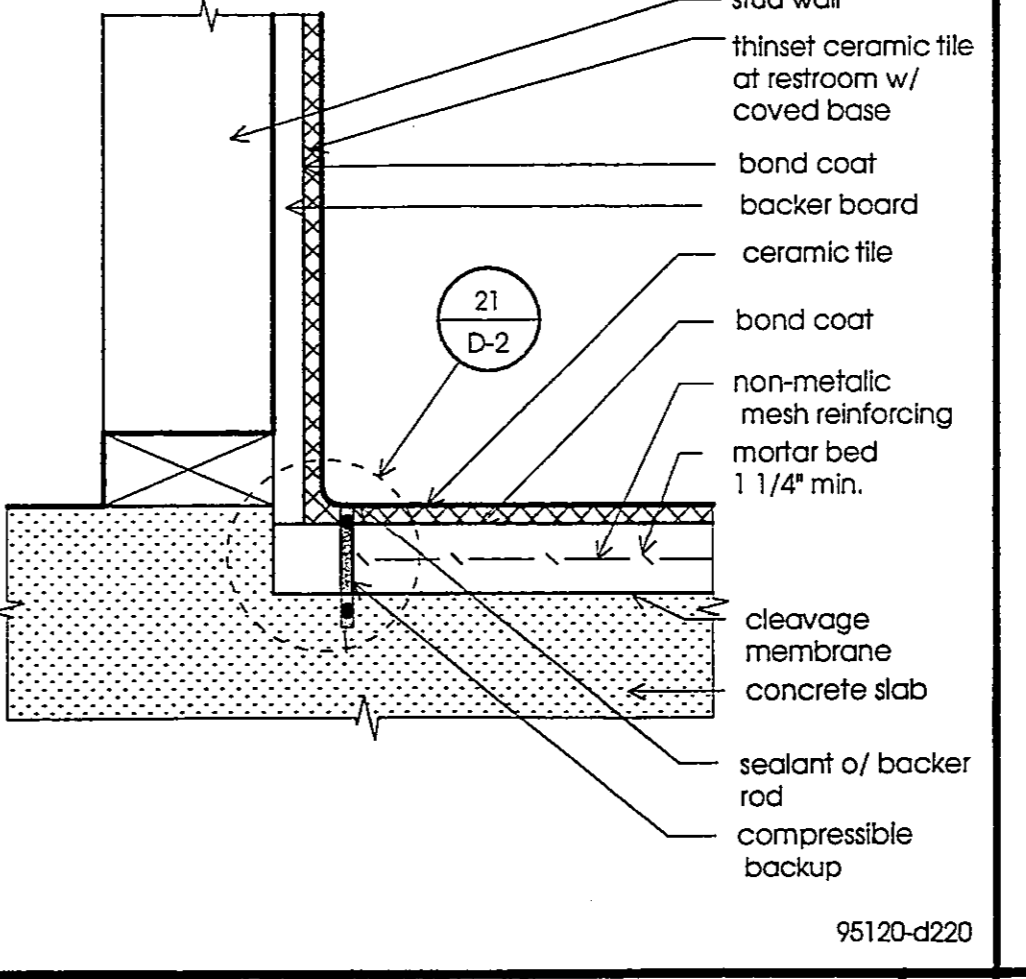
COUNTER SUPPORT Scale: 1 1/2" = 1'-0" **17**



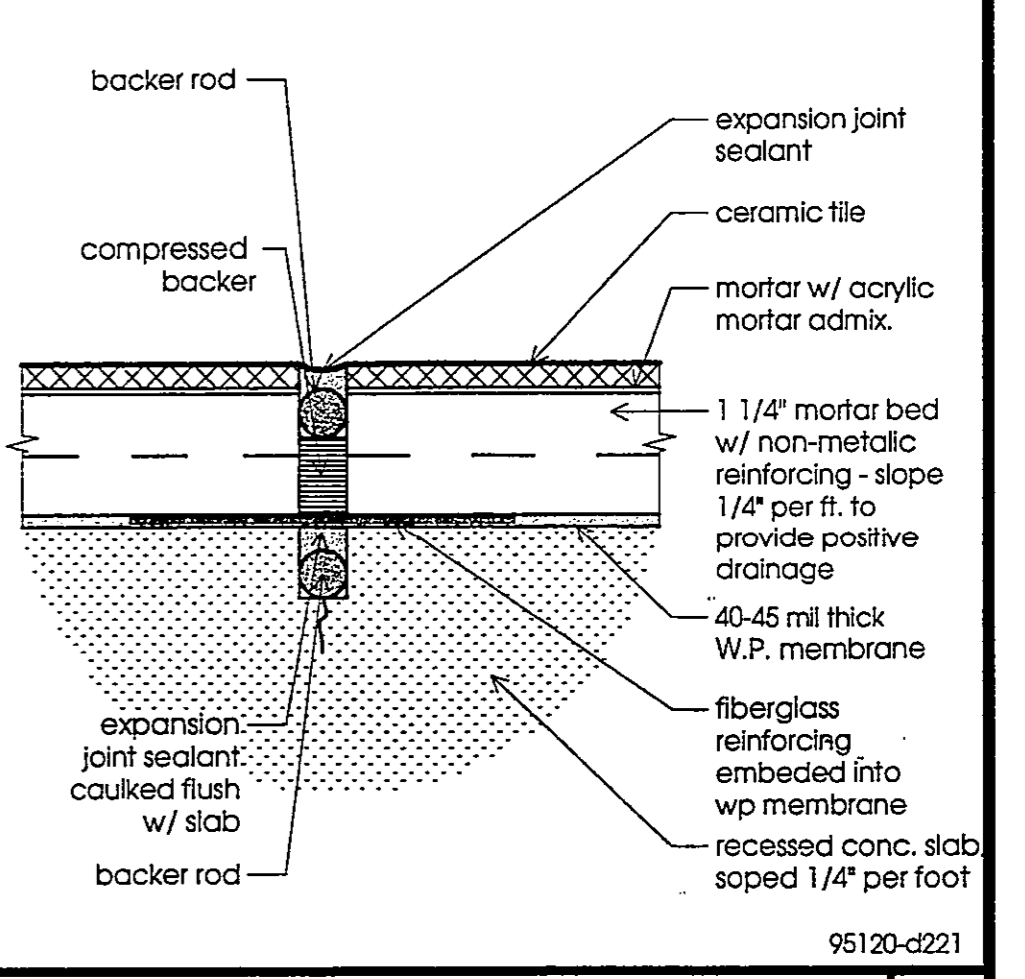
TRUSS WINDOW Scale: 3" = 1'-0" **18**



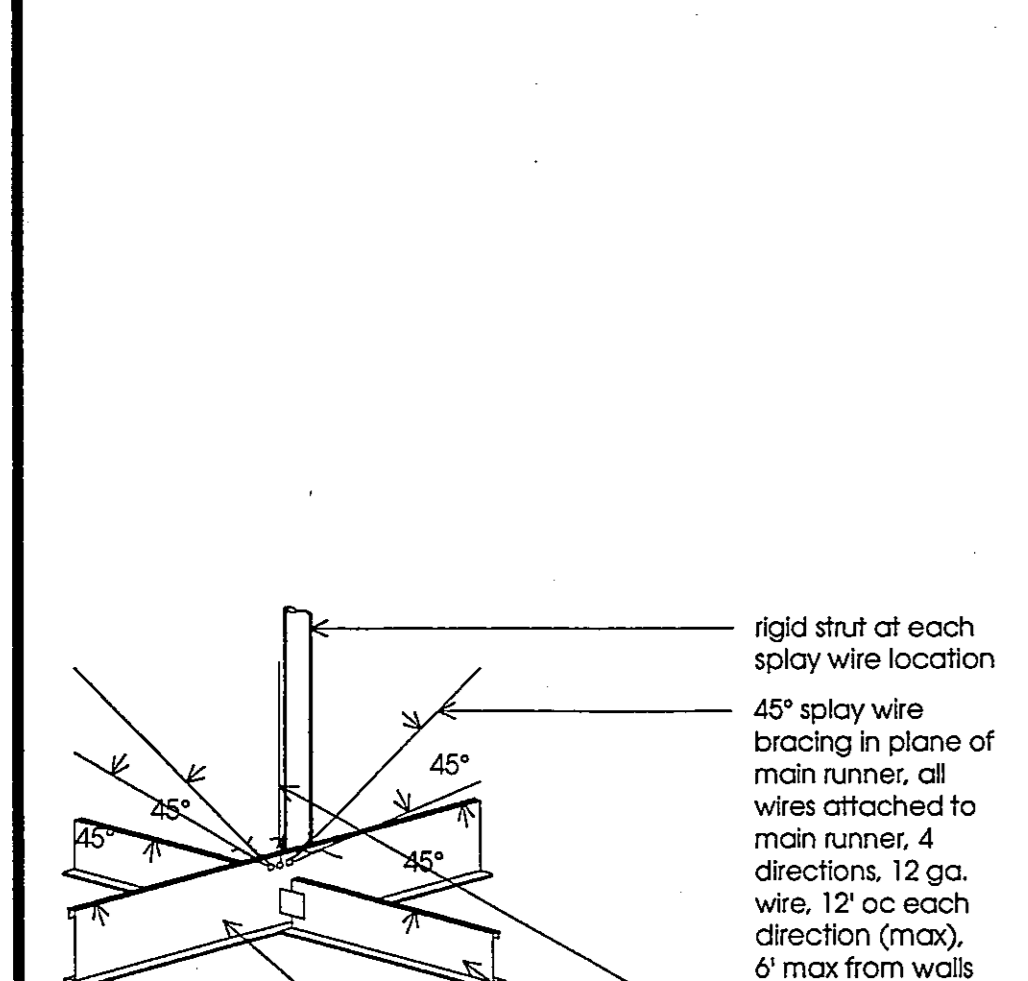
TILE SLAB DEPRESSION Scale: 1 1/2" = 1'-0" **19**



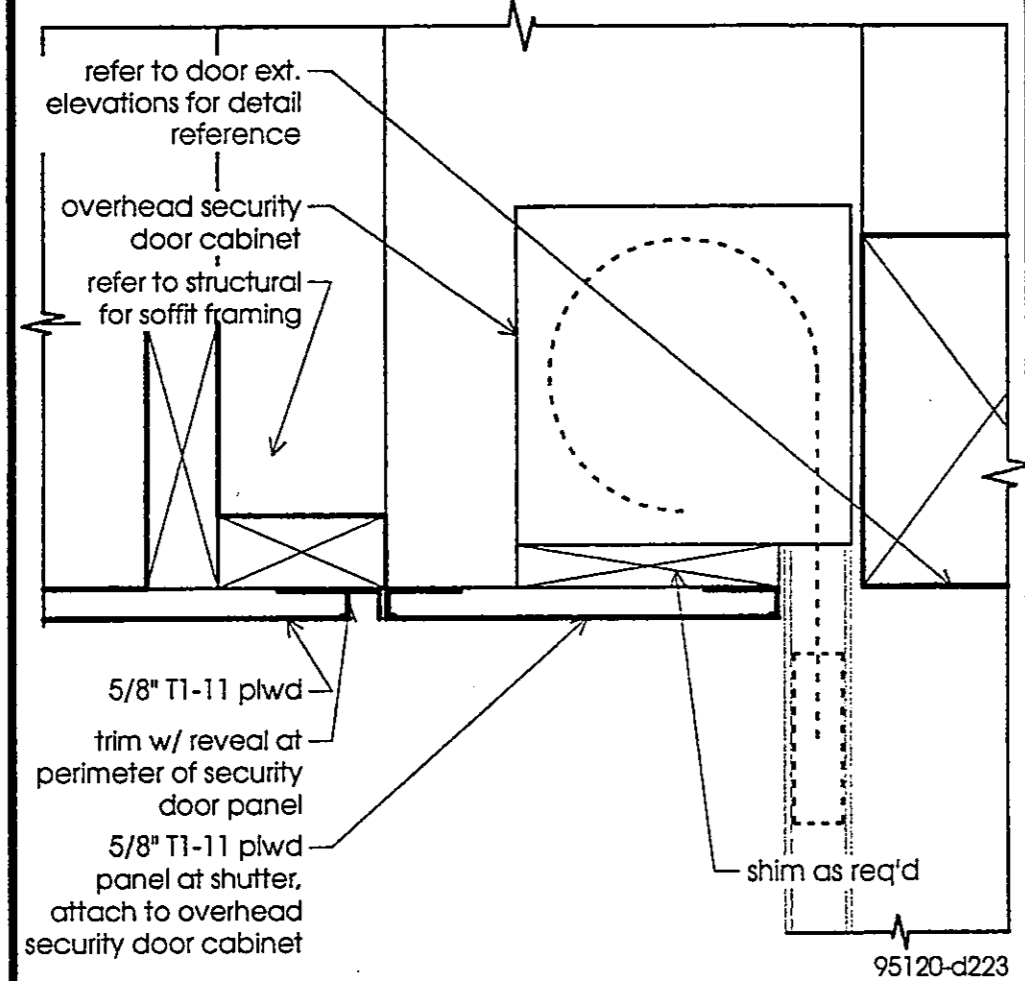
TILE EXPANSION JOINT Scale: 3" = 1'-0" **20**



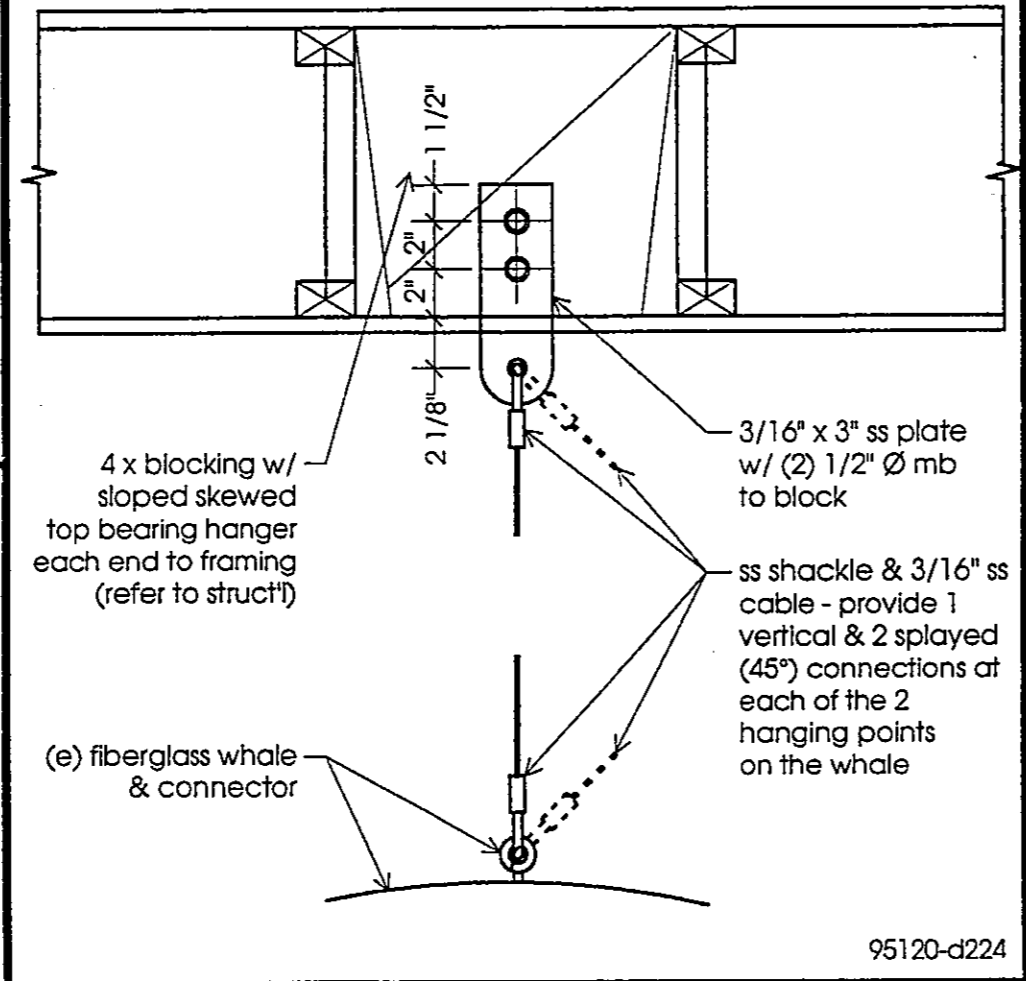
TILE EXPANSION JOINT Scale: 6" = 1'-0" **21**



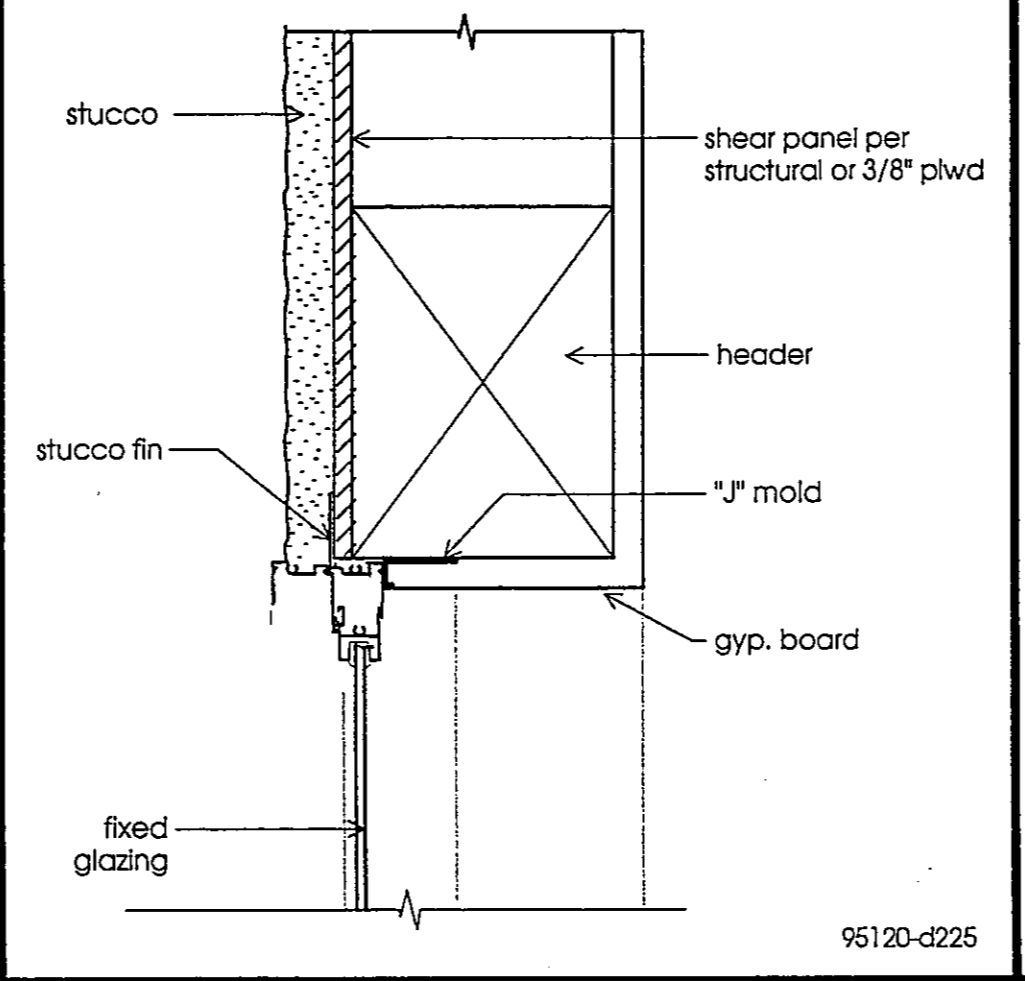
TILE EXPANSION JOINT Scale: 6" = 1'-0" **22**



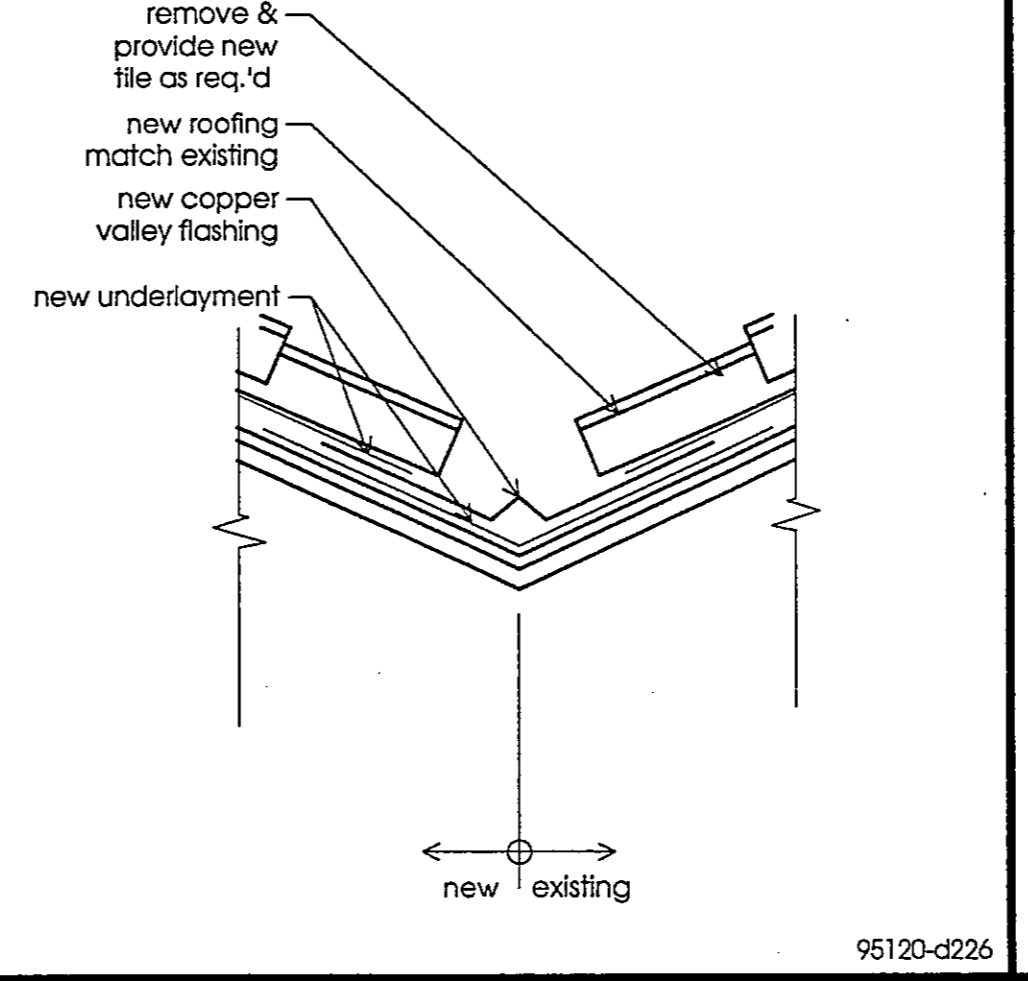
SOFFIT AT OH SEC. DOOR Scale: 3" = 1'-0" **23**



WHALE ATTACHMENT Scale: 1 1/2" = 1'-0" **24**



WINDOW HEAD Scale: 3" = 1'-0" **25**



VALLEY FLASHING Scale: 1" = 1'-0" **26**

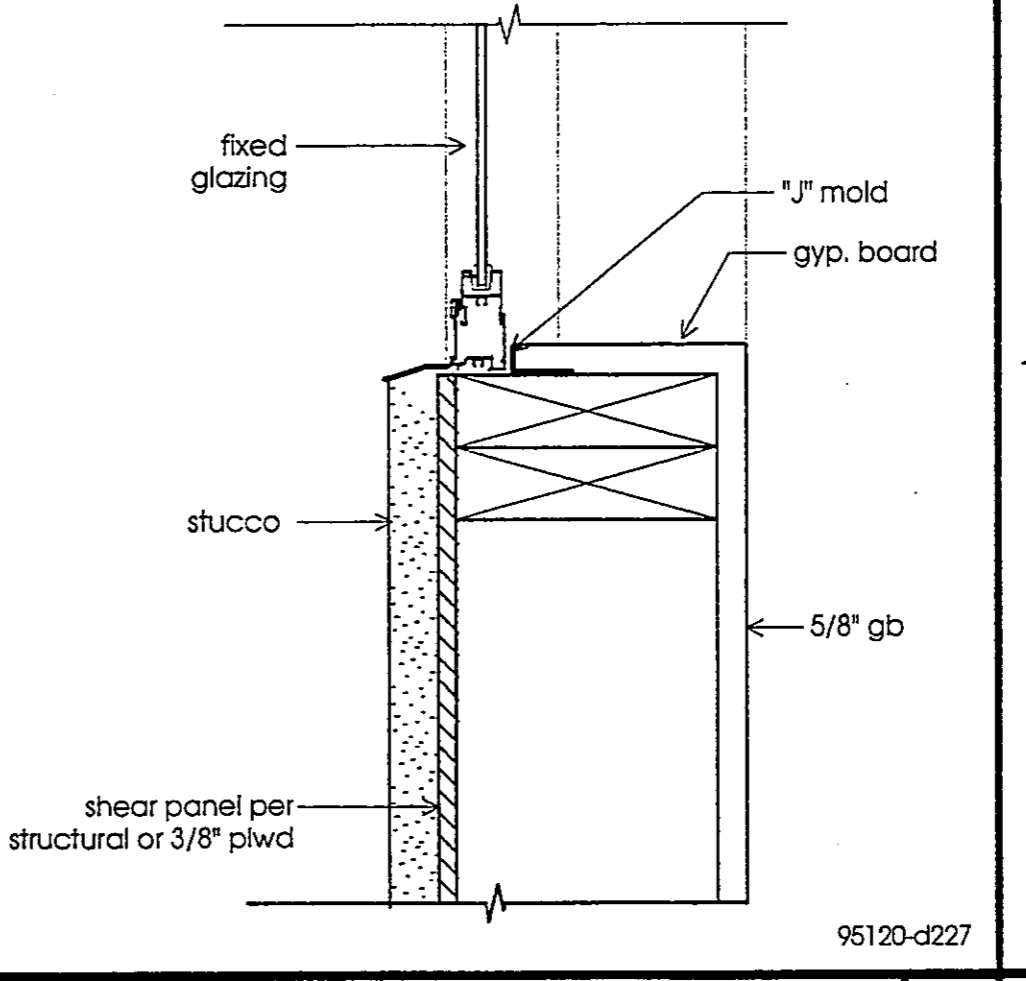
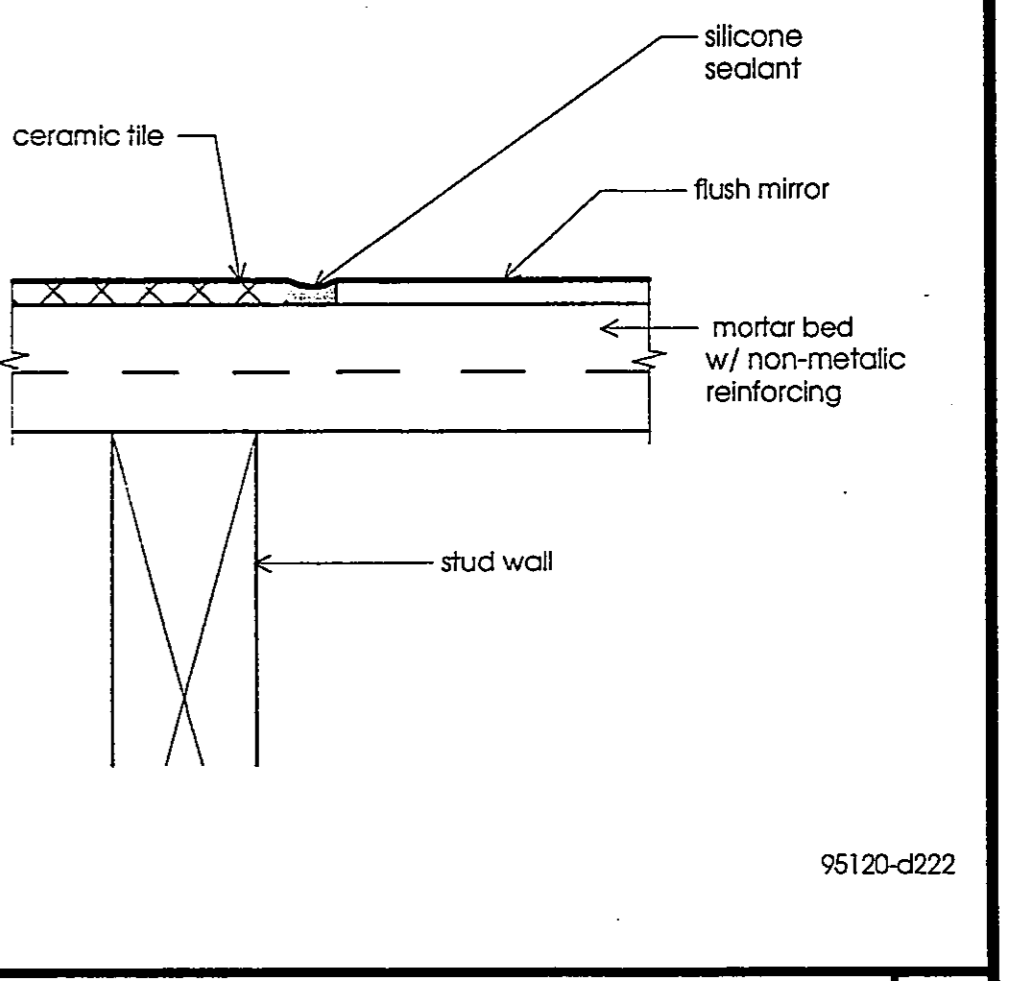
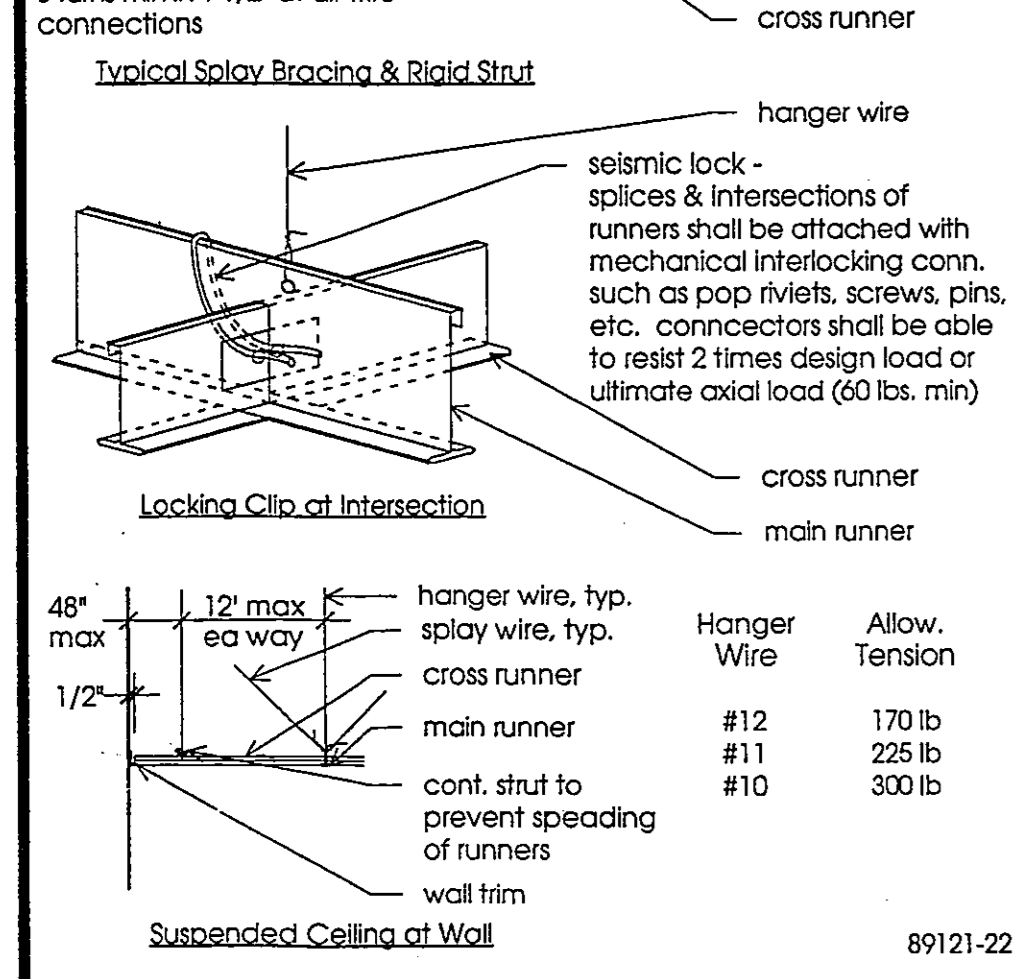


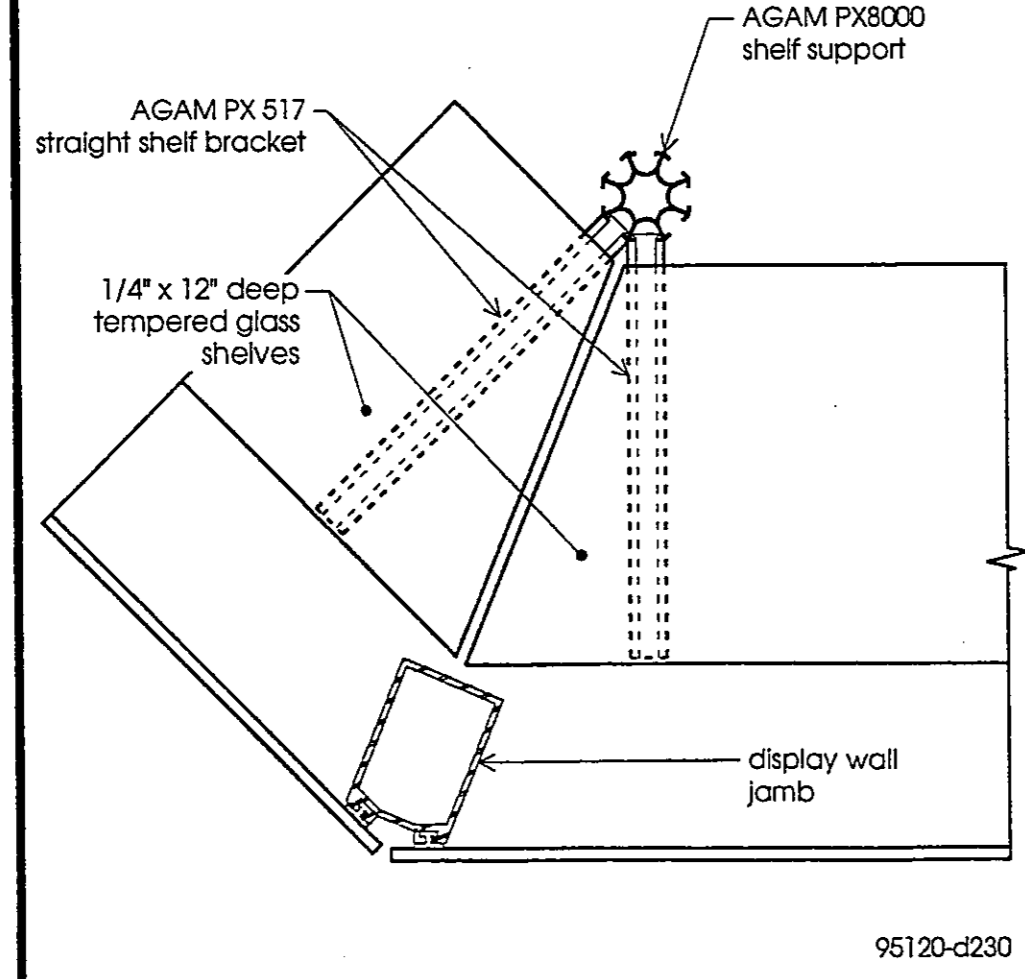
EXHIBIT WALL Scale: 3" = 1'-0" **27**



FLUSH MIRROR Scale: 6" = 1'-0" **28**



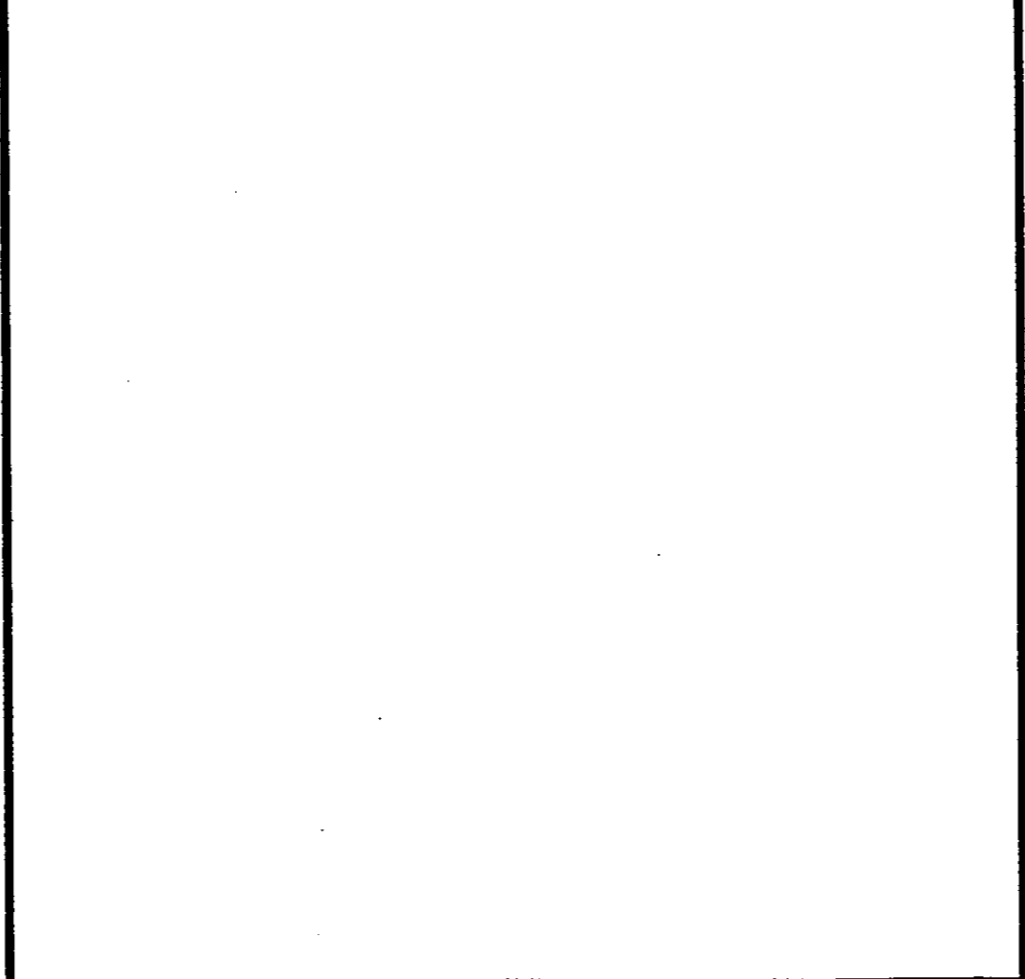
TYPICAL T-BAR CLG. Scale: (none) **29**



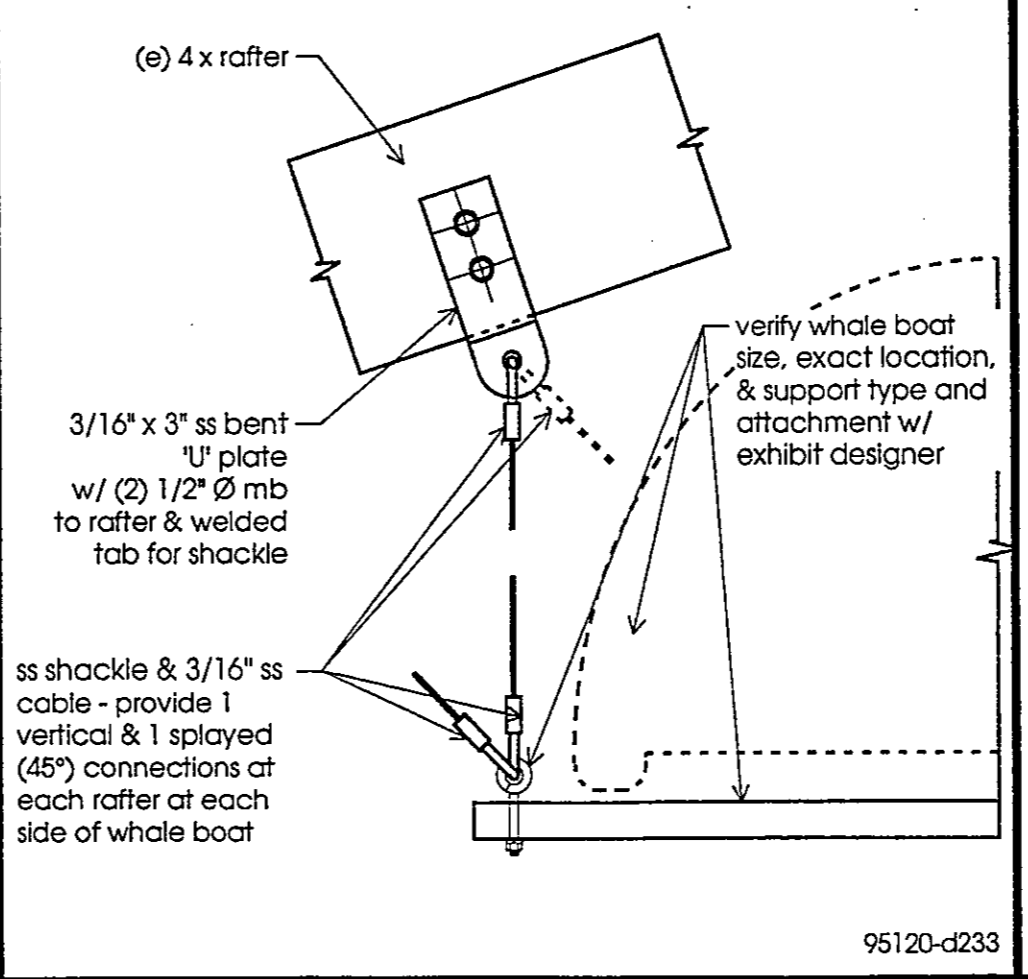
DISPLAY WALL JAMB Scale: 1 1/2" = 1'-0" **30**



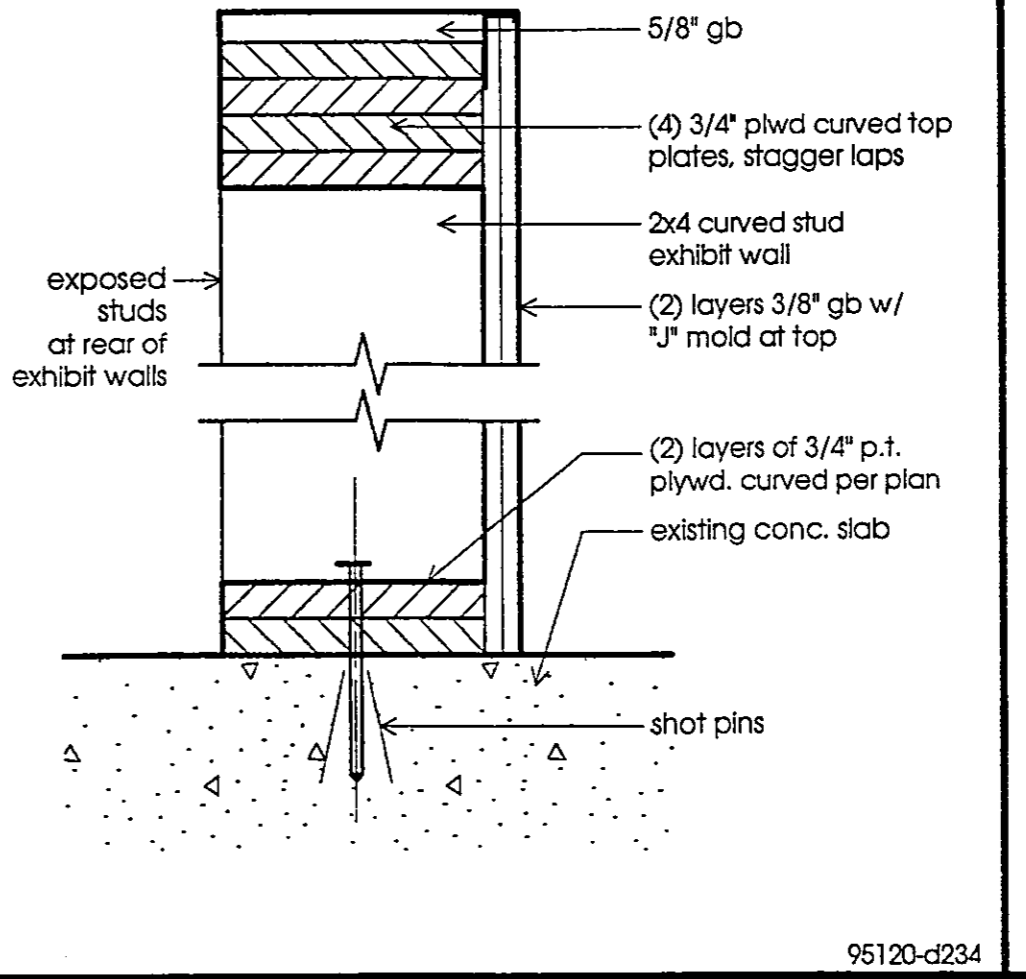
DETAIL TITLE Scale: 1 1/2" = 1'-0" **31**



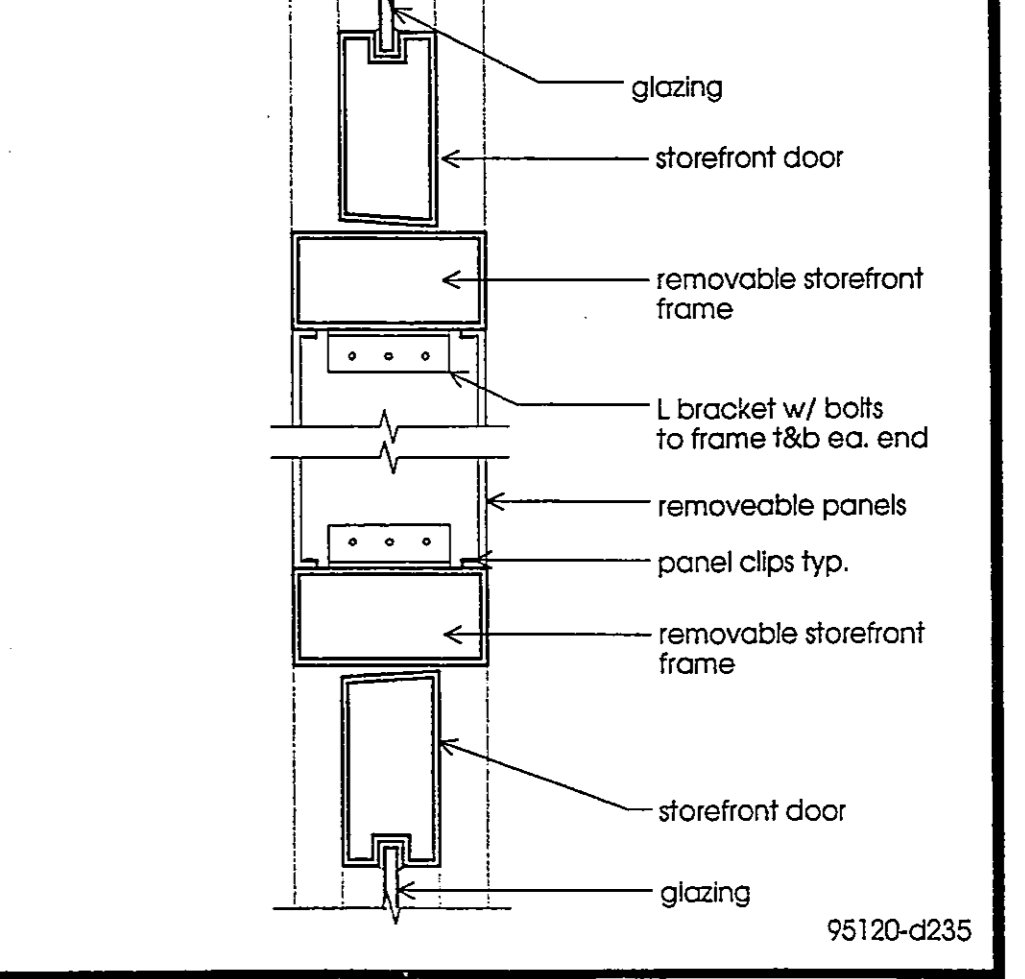
DETAIL TITLE Scale: 1 1/2" = 1'-0" **32**



BOAT ATTACHMENT Scale: 1 1/2" = 1'-0" **33**



CURVED EXHIBIT WALL Scale: 3" = 1'-0" **34**



REMOVABLE TRANSOME Scale: 3" = 1'-0" **35**

RON YEO, FAIA ARCHITECT, INC.
500 JASMINE AVENUE, CORONA DEL MAR
CALIFORNIA 92625 P-949-644-8111 F-949-644-0449
PATRICK MARR, AIA, PE, ASSOCIATE ARCHITECT



POINT VICENTE INTERPRETIVE CENTER EXPANSION
31501 Palms Vendes Drive West
Rancho Palms Vendes, CA

Architectural Details

DRAWN: PM/IG
CHECKED: RY
DATE: 2/1/99
SCALE: (as noted)
JOB NO.: 95-120
SHEET

D-2
28 OF 87 SHEETS

P.V. EXPANSION
 18 SHEETS
 Dec. 2003
 BUILDING DEPT.

THESE DRAWINGS DO NOT CONTAIN THE NECESSARY COMPONENTS FOR CONSTRUCTION SAFETY