

Copyright © 1999 by Ron Yeo, FAIA Architect, Inc. All rights reserved. No part of this publication may be reproduced, stored in a retrieval system, or transmitted, in any form or by any means, electronic, mechanical, photocopying, recording, or by any information storage and retrieval system, without the prior written permission of Ron Yeo, FAIA Architect, Inc.

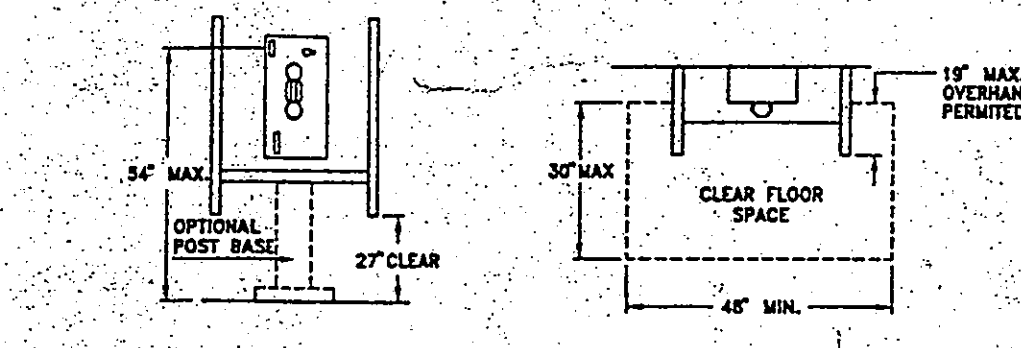


Fig. 70-A
SIDE REACH ARRANGEMENT

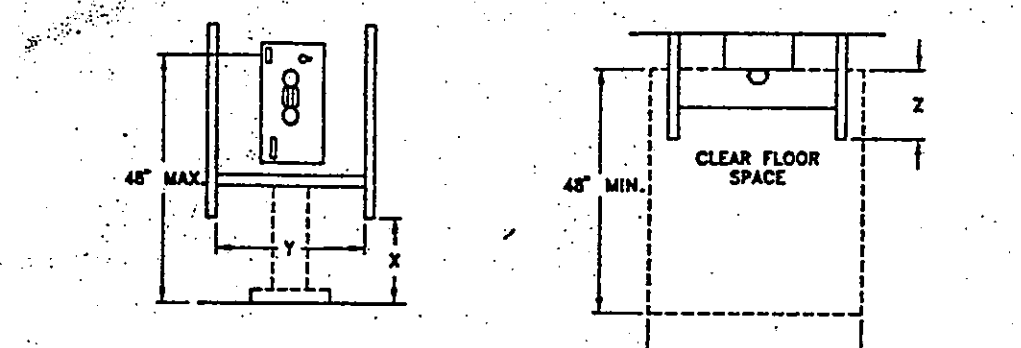


Fig. 70-B
FORWARD REACH ARRANGEMENT

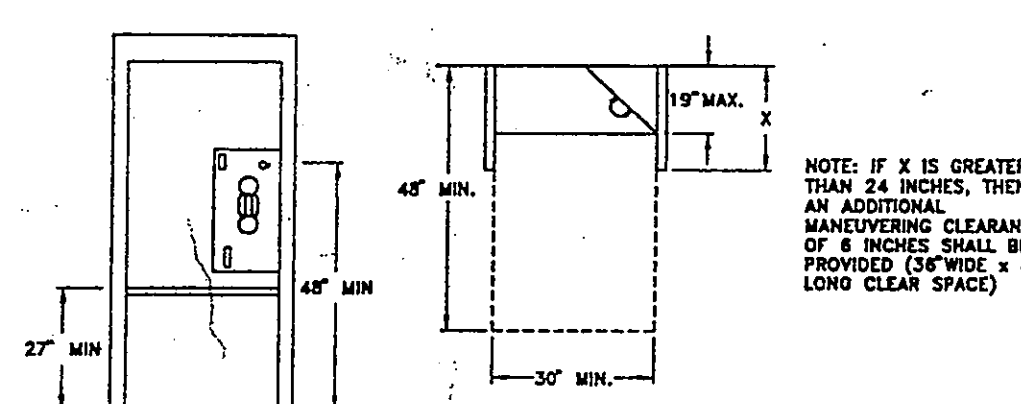


Fig. 70-C
FULL HEIGHT ENCLOSURES

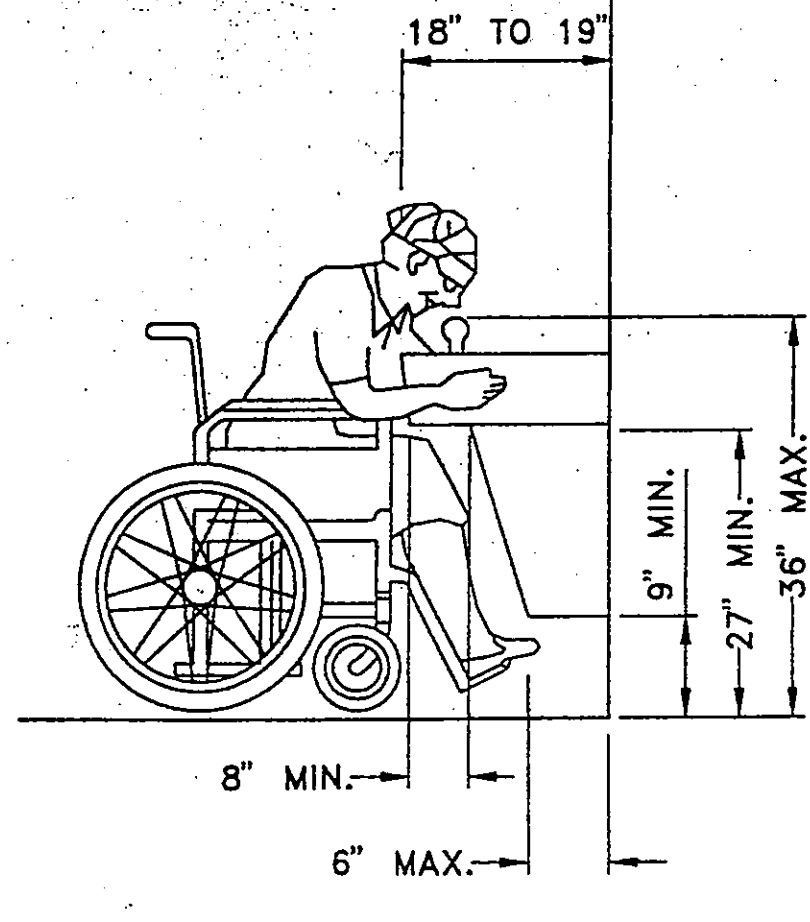


Fig. 64
SPOUT HEIGHT AND KNEE CLEARANCE

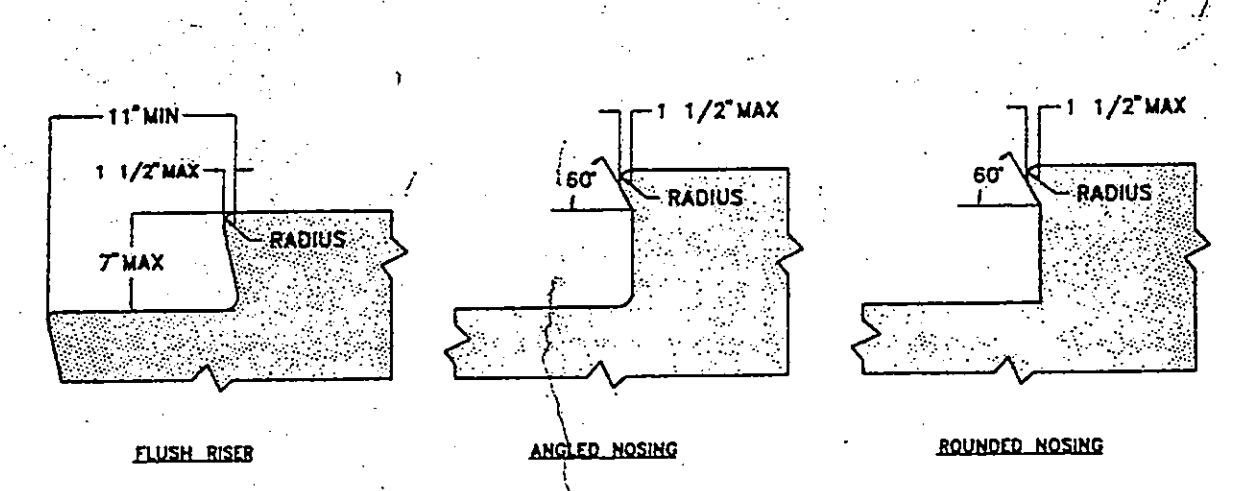


Fig. 48-A
USABLE TREAD WIDTH AND EXAMPLES
OF ACCEPTABLE NOSING

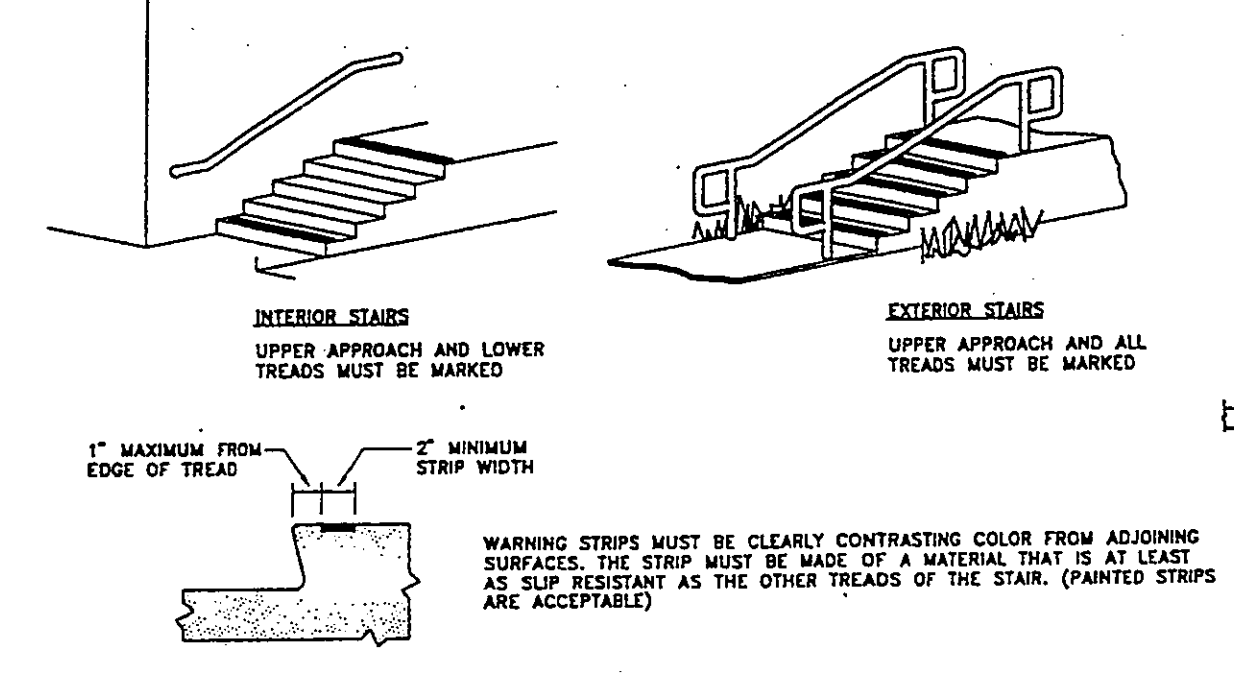


Fig. 48-B
VISUALLY IMPAIRED WARNING STRIPING

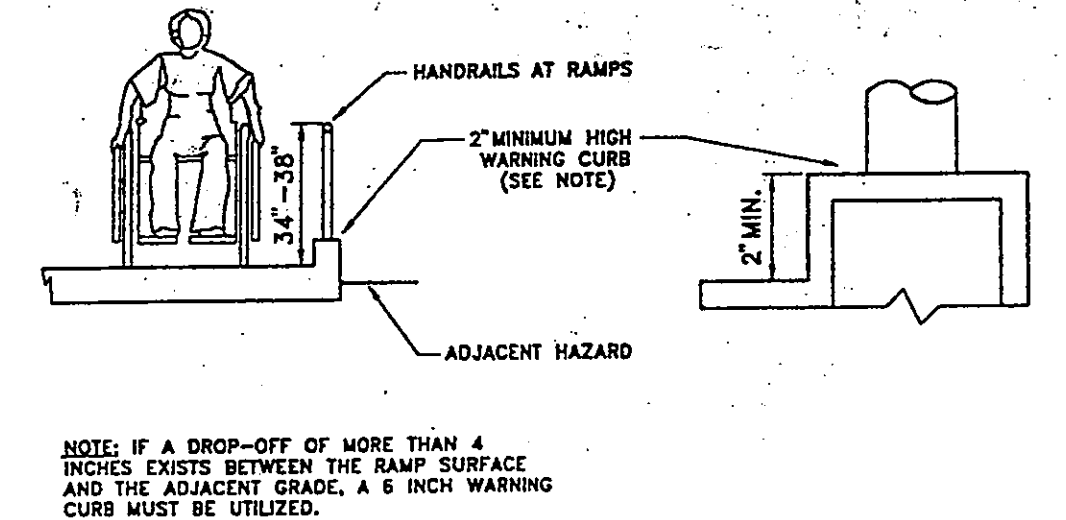


Fig. 36
GUIDE RAIL EDGE PROTECTION

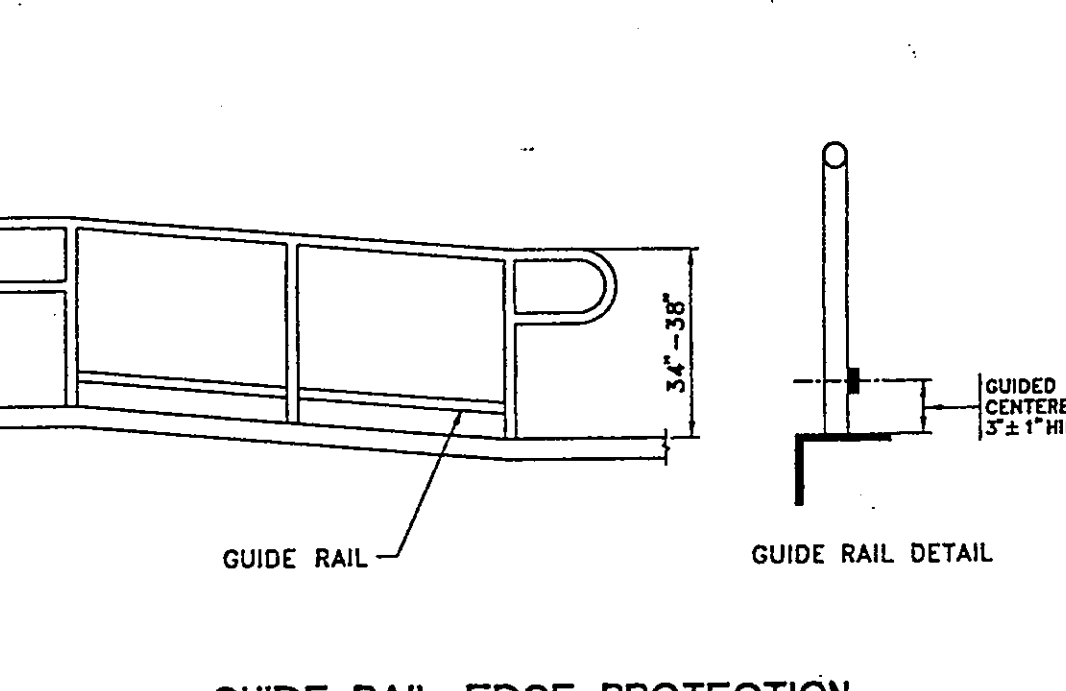


Fig. 33
ENCROACHMENT OF DOORS
ONTO RAMPS

TELEPHONES

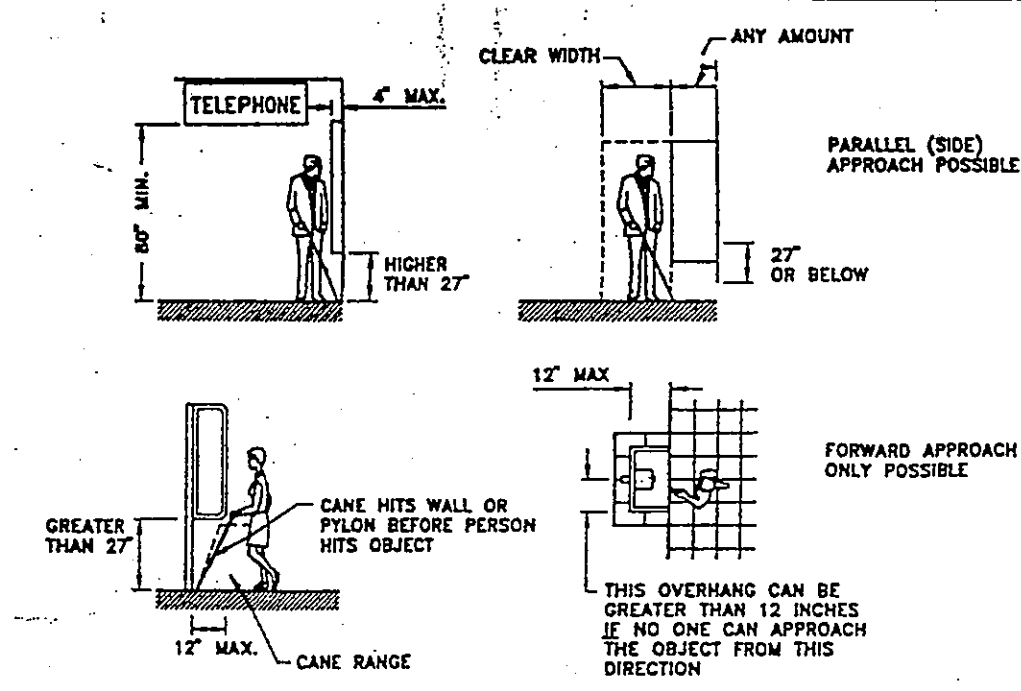


Fig. 71-A
PROTRUDING TELEPHONE ENCLOSURES

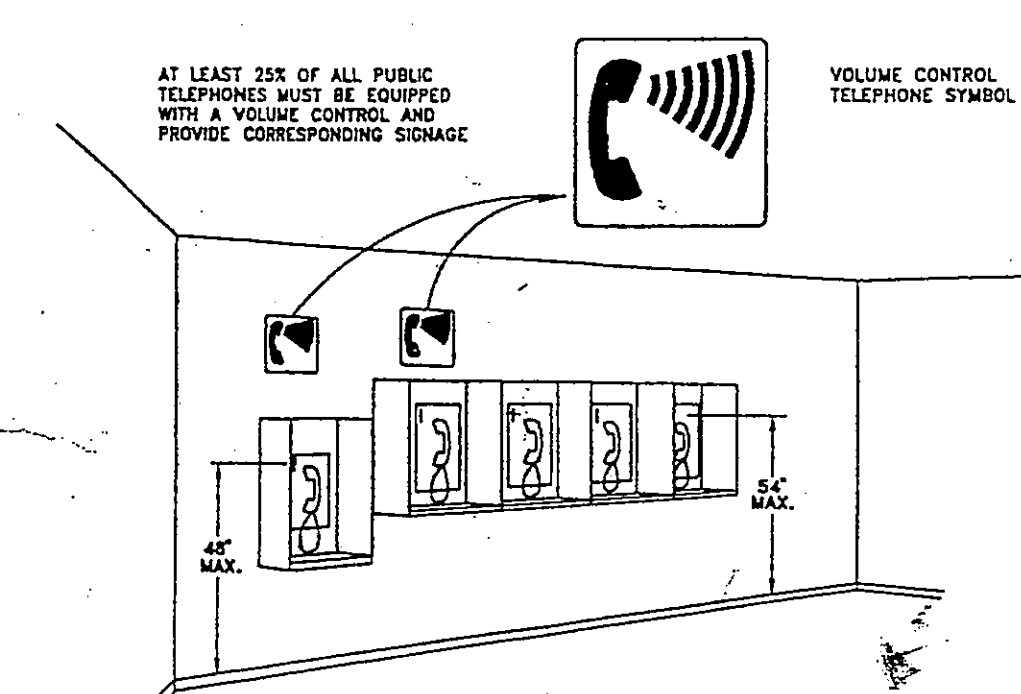


Fig. 71-B
VOLUME CONTROL TELEPHONES

TELEPHONES

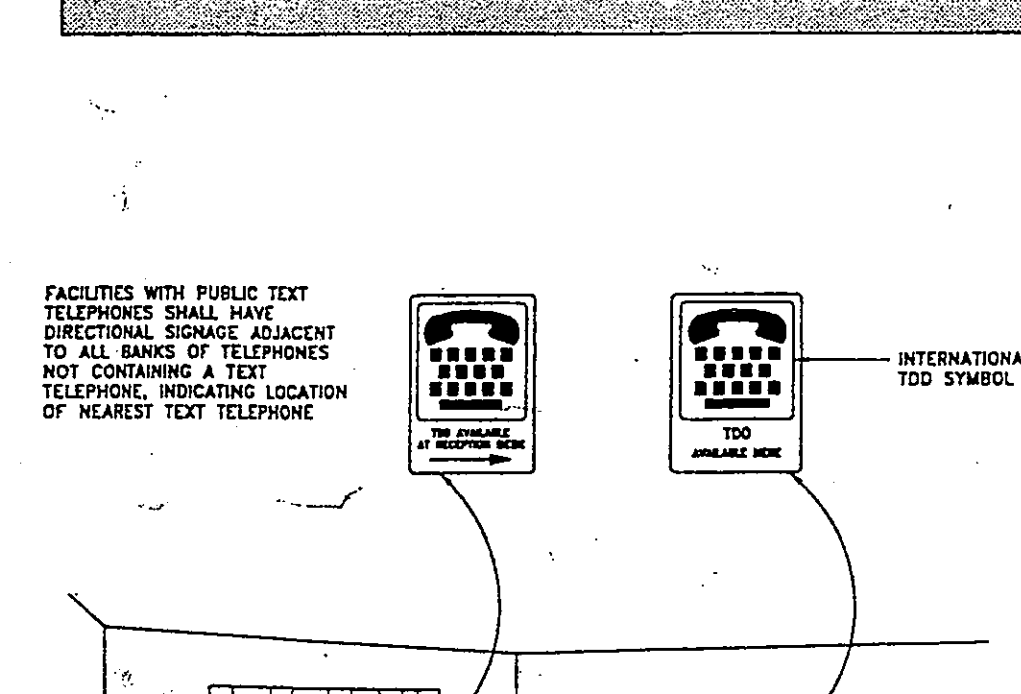


Fig. 72

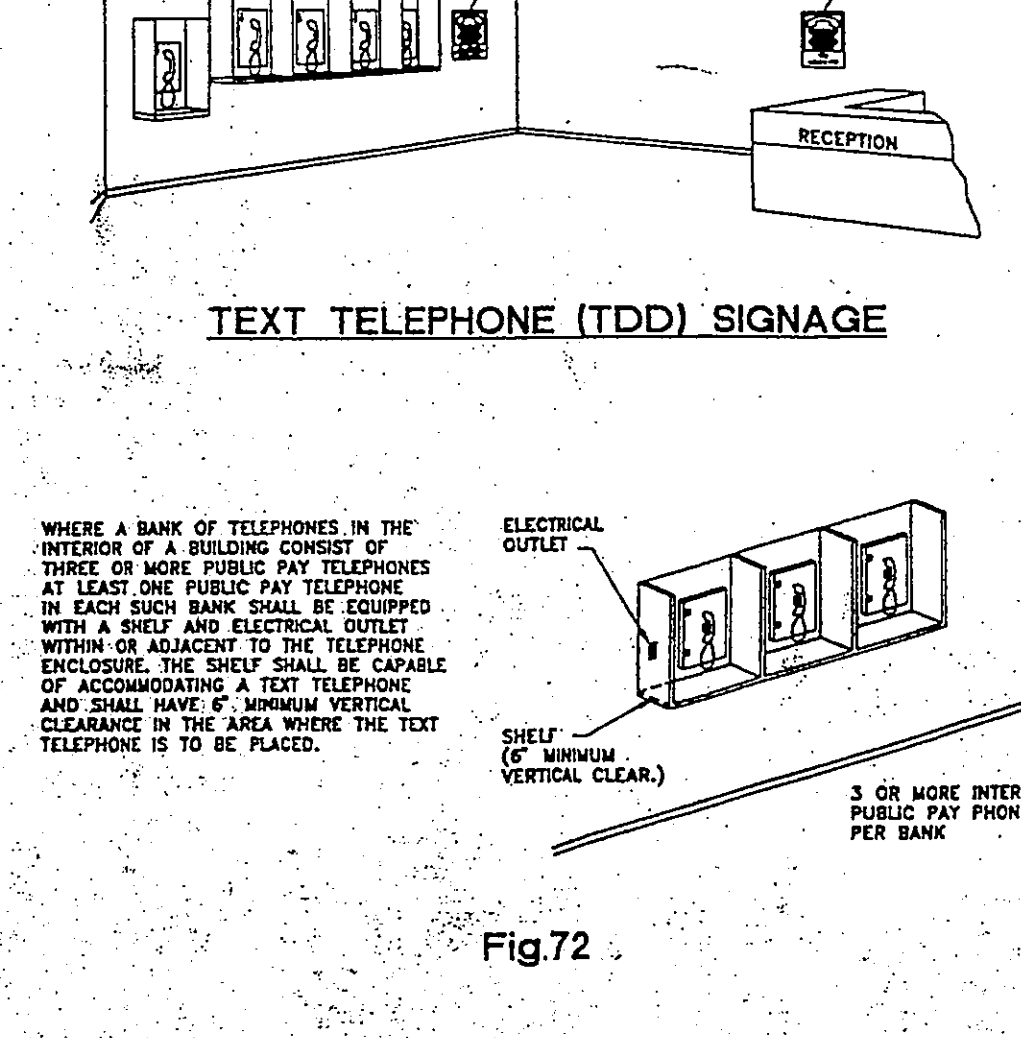


Fig. 77

WATER FOUNTAINS (DRINKING)

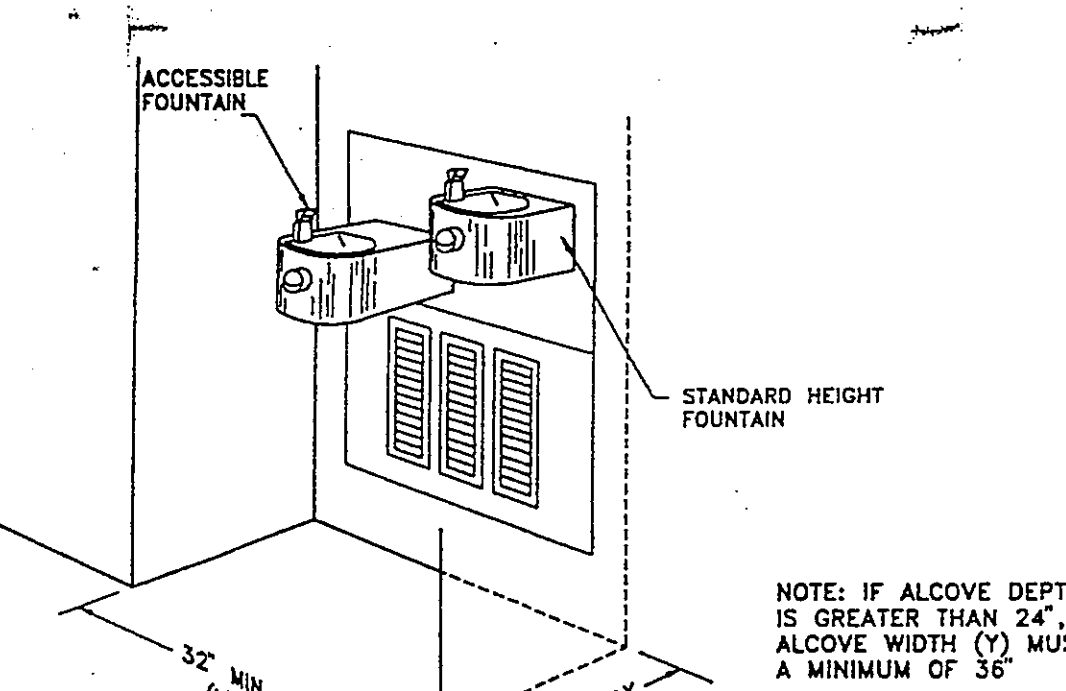


Fig. 65-A
'HI-LO' FOUNTAIN DESIGN

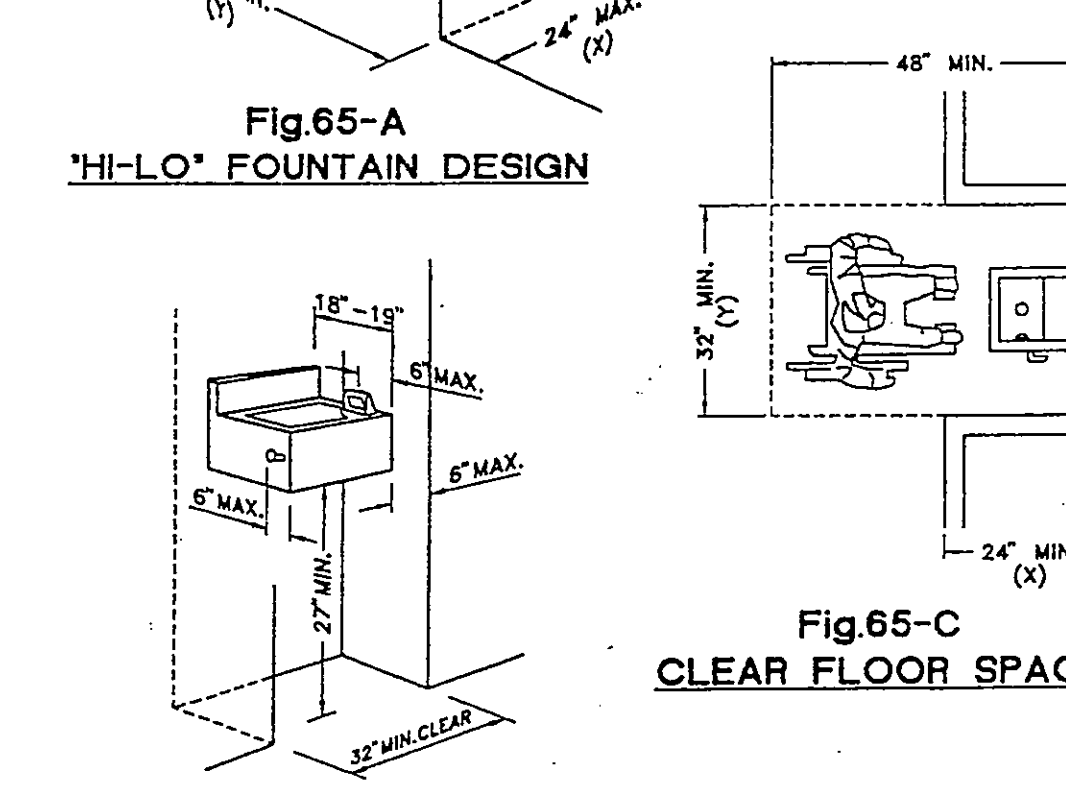


Fig. 65-B
ALCOVE INSTALLATION

WATER FOUNTAINS (DRINKING)

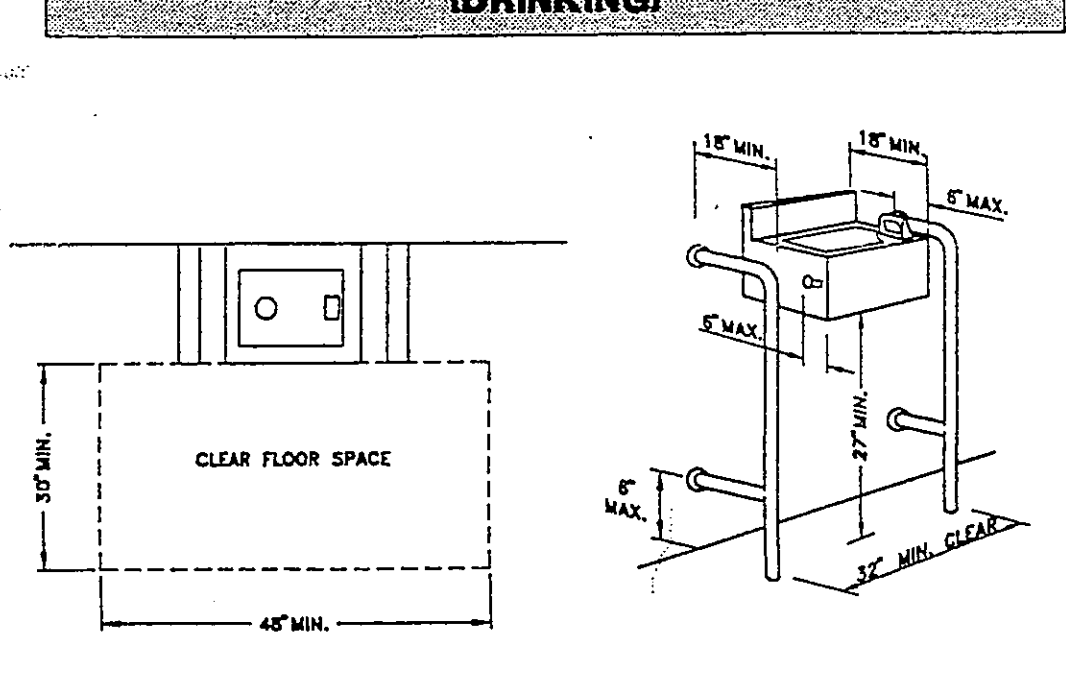


Fig. 66-A
NON-ALCOVE WING WALL INSTALLATION
EXCEPTION ONLY

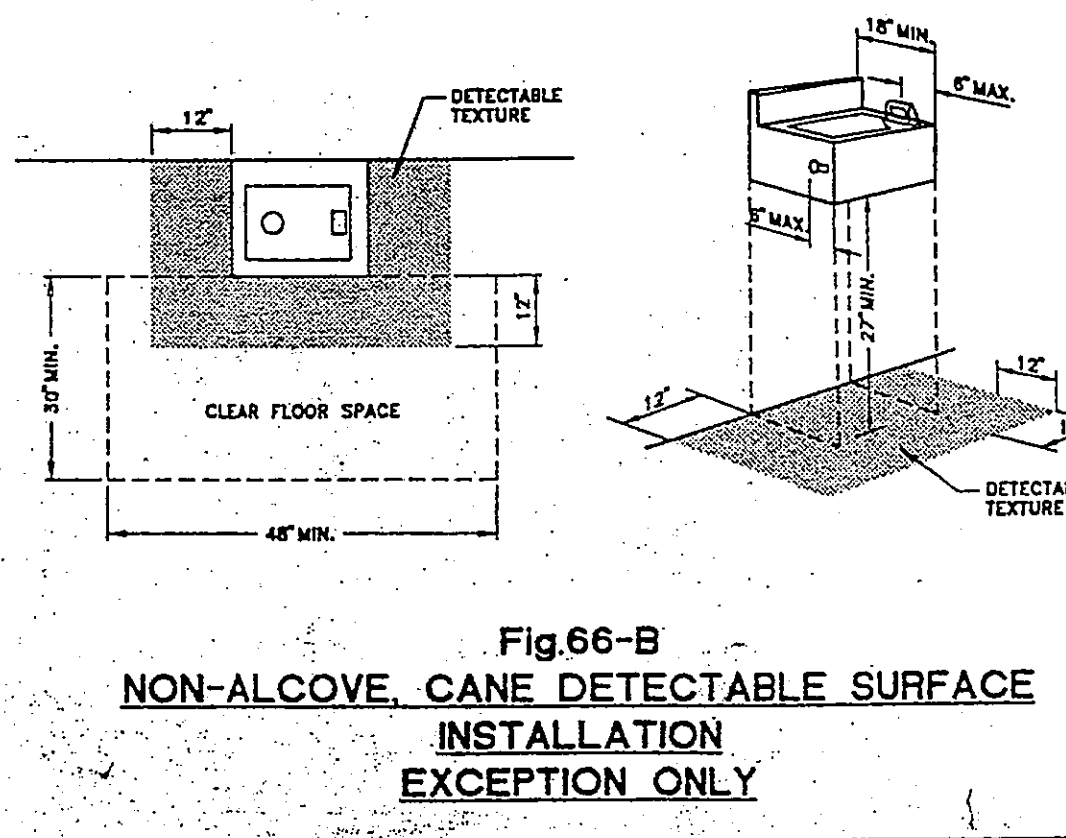


Fig. 66-B
NON-ALCOVE, CANE DETECTABLE SURFACE
INSTALLATION
EXCEPTION ONLY

WATER FOUNTAINS (DRINKING)

STAIRWAYS

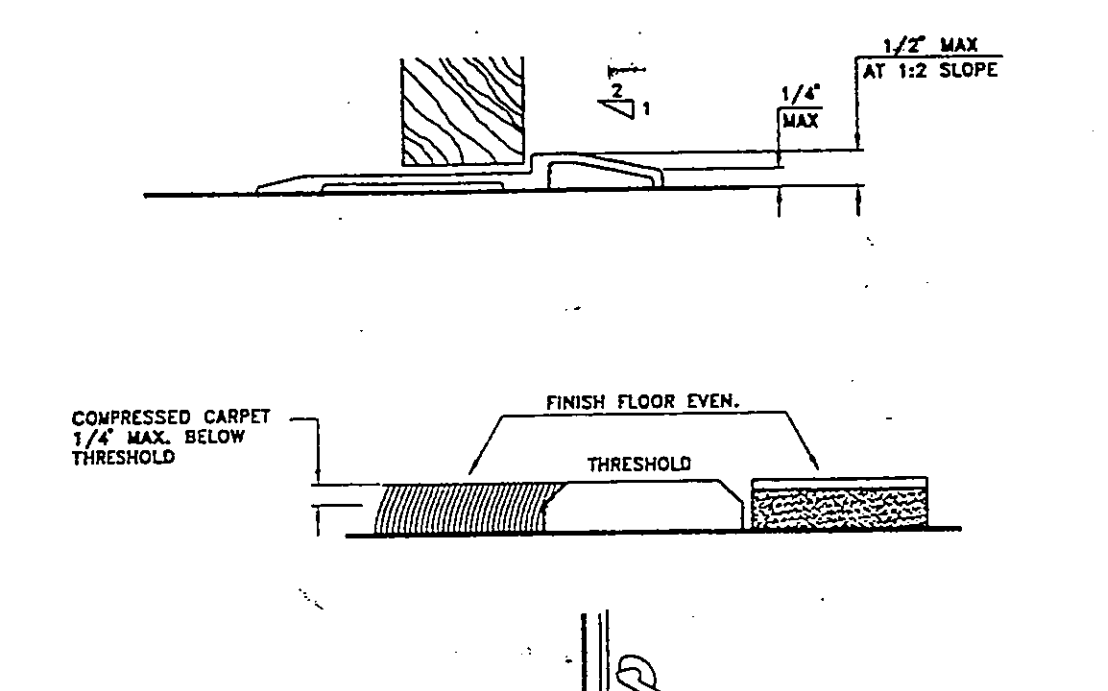


Fig. 54

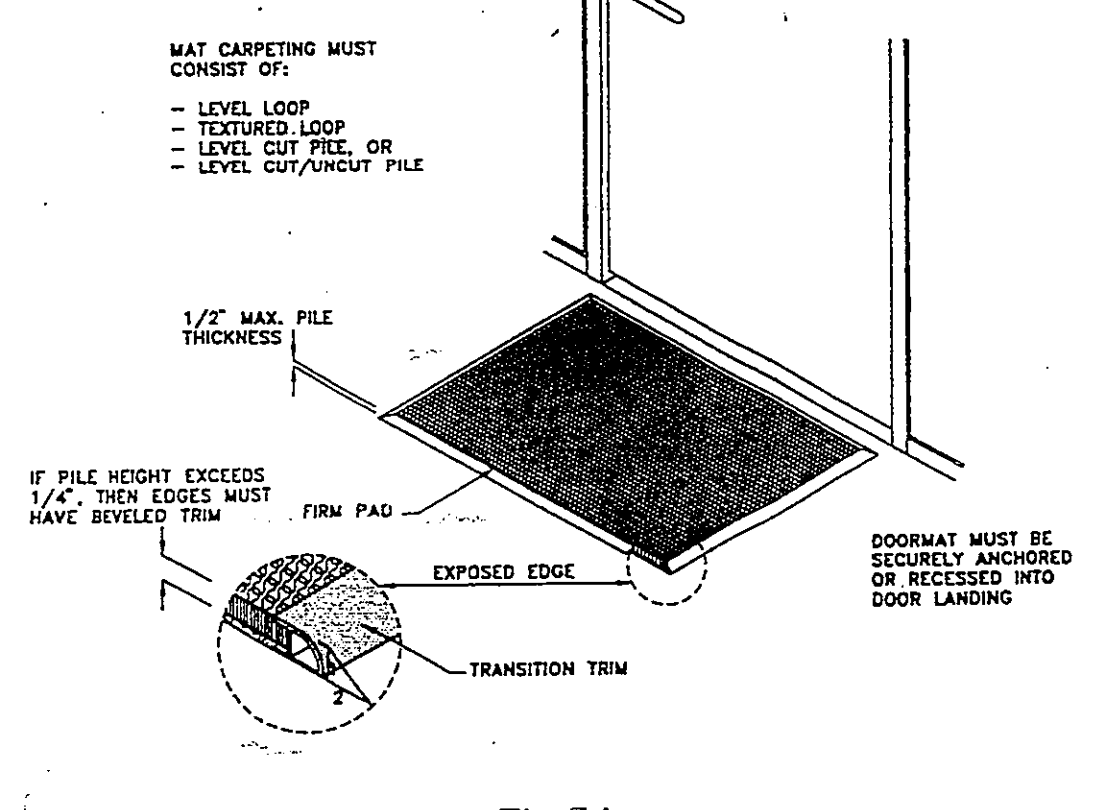


Fig. 55
LEVEL MANEUVERING CLEARANCE
AT DOORS

THRESHOLDS AT DOORWAYS

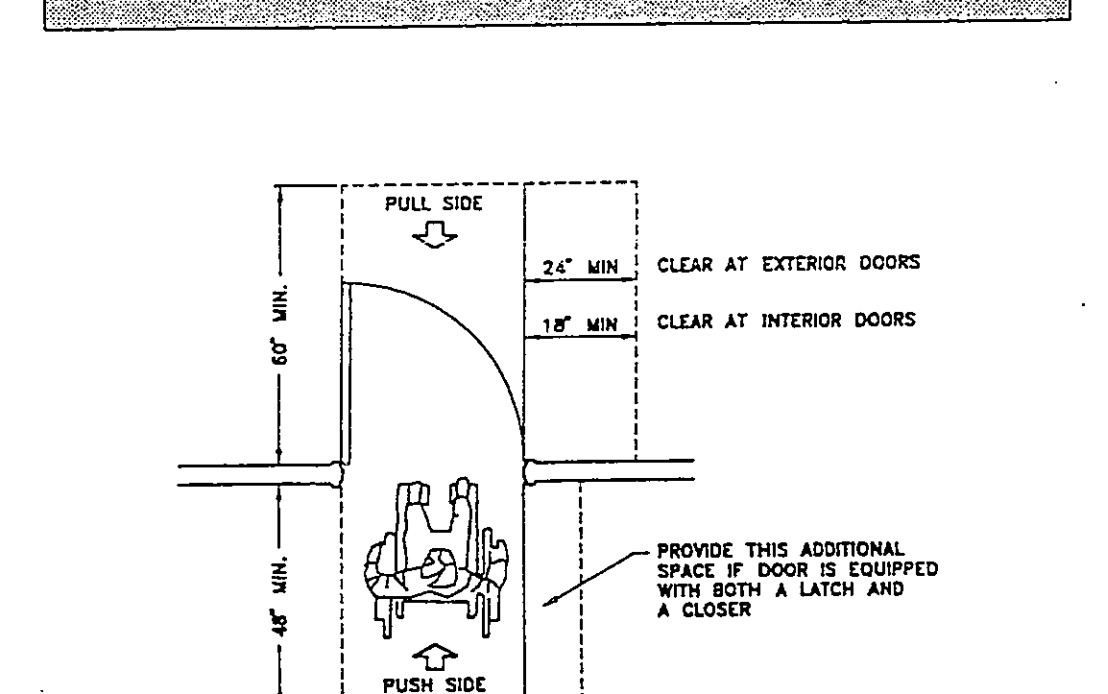


Fig. 56
TWO HINGED DOORS IN SERIES

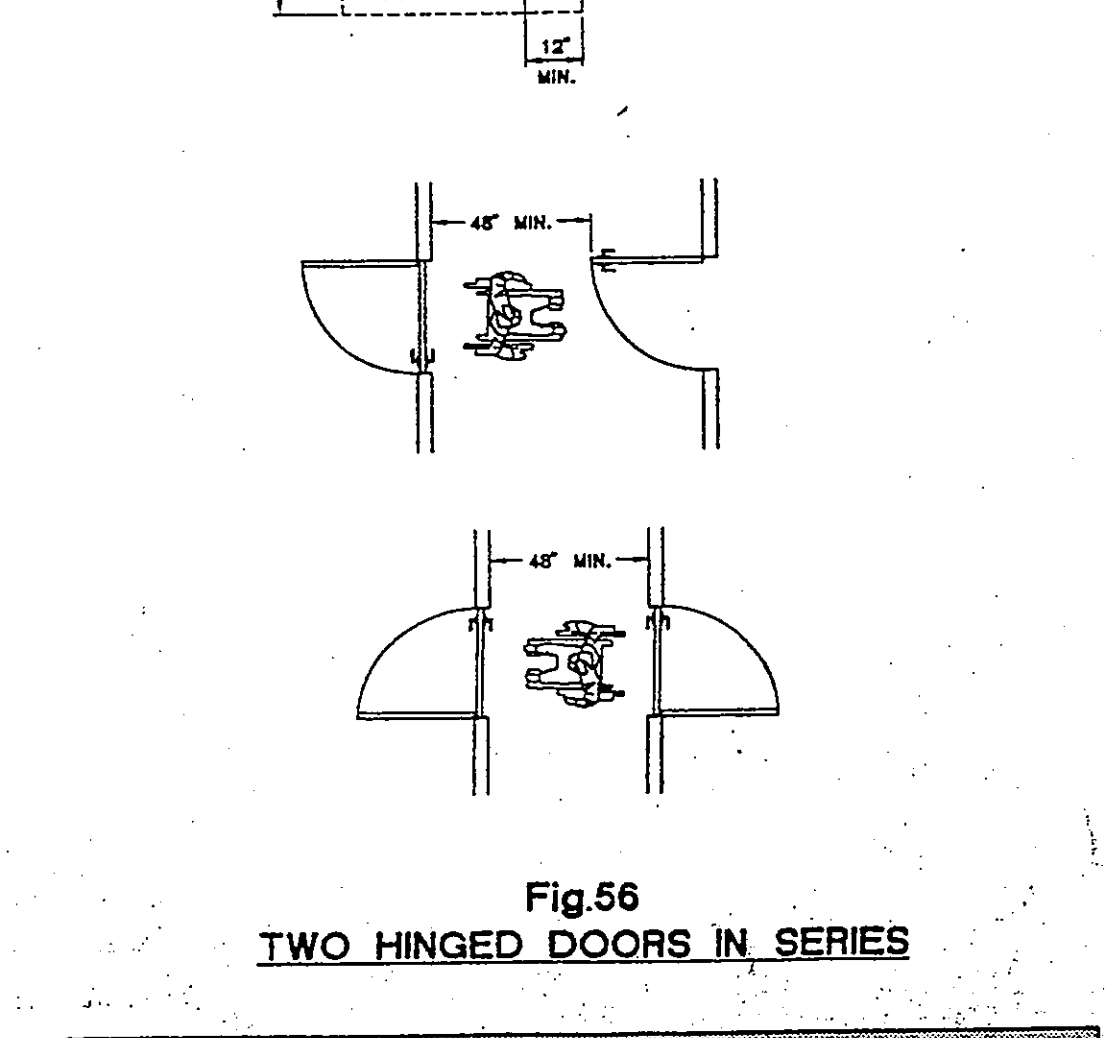


Fig. 47

EDGE PROTECTION ON PEDESTRIAN RAMPS (WARNING CURBS AND GUIDE RAILS)

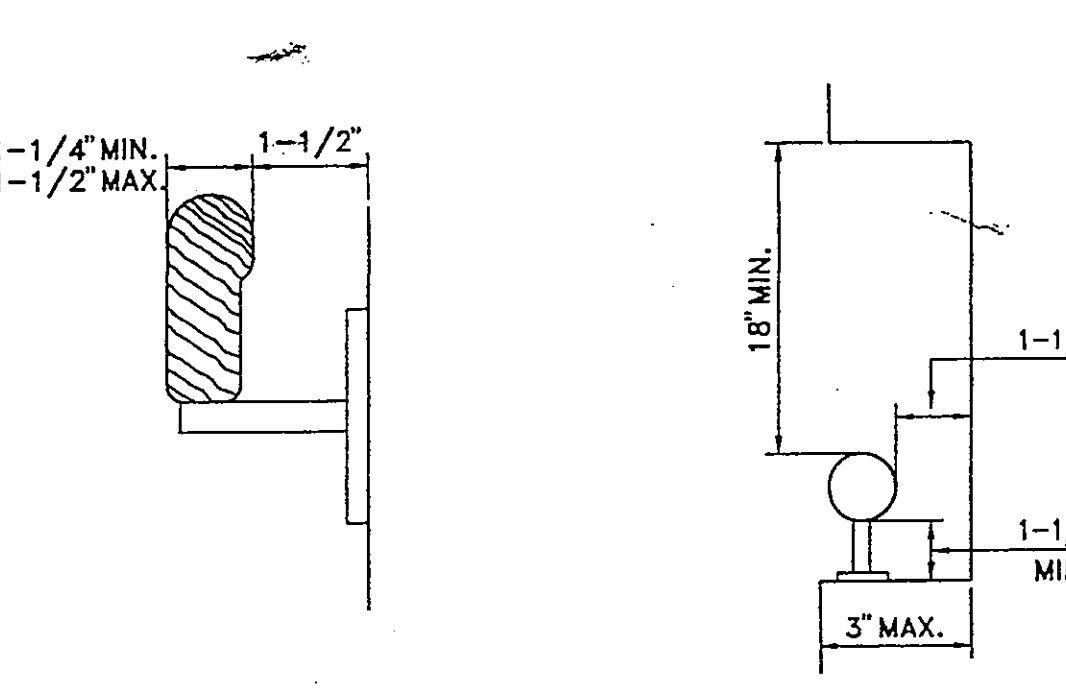


Fig. 46

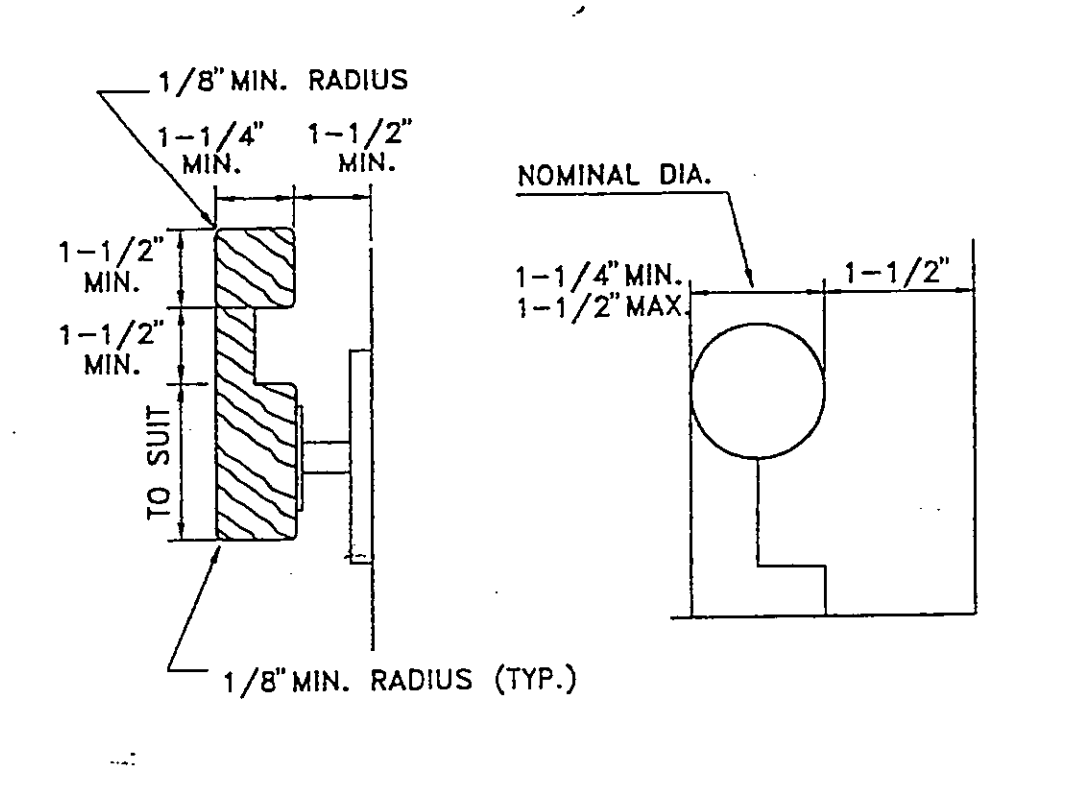


Fig. 34

STAIR HANDRAILS

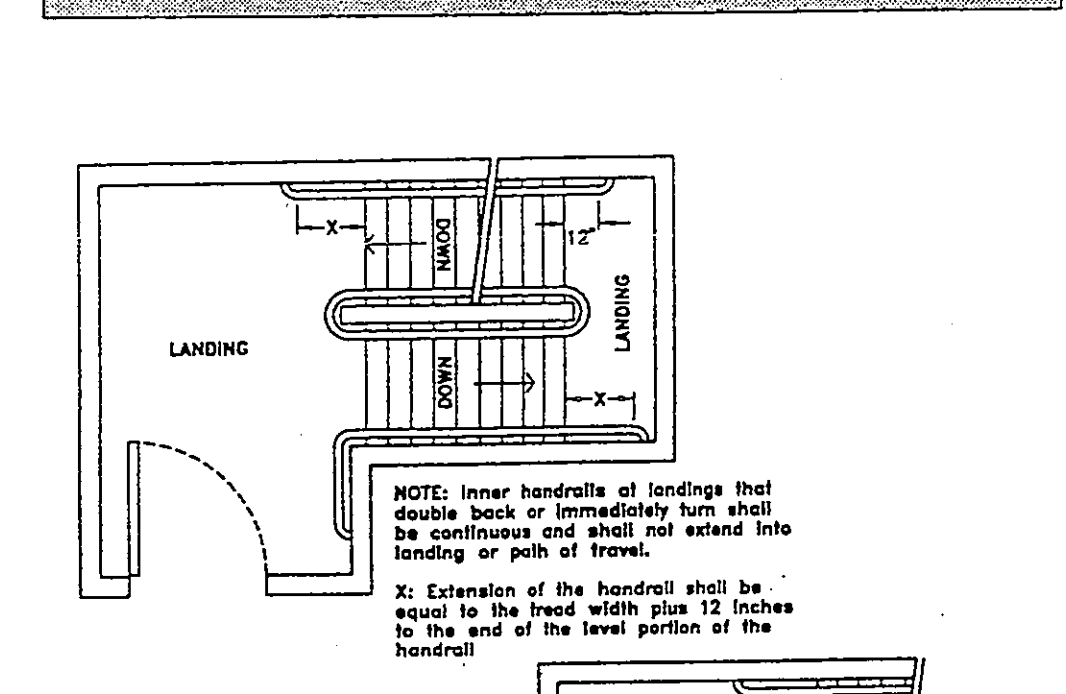


Fig. 35

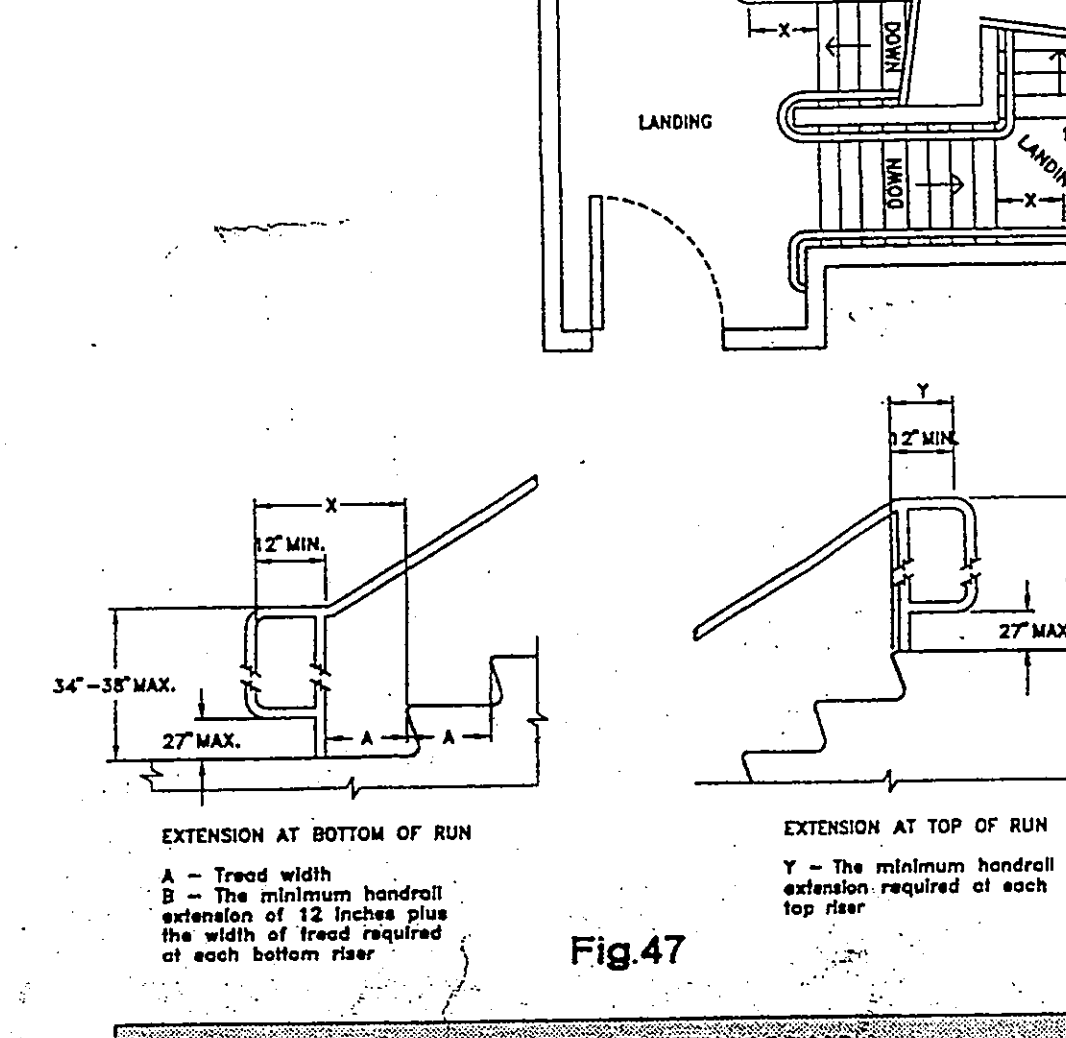


Fig. 36

HANDBRAIL EXTENSIONS AT STAIRWAYS

ENCROACHMENT OF DOORS ONTO RAMPS

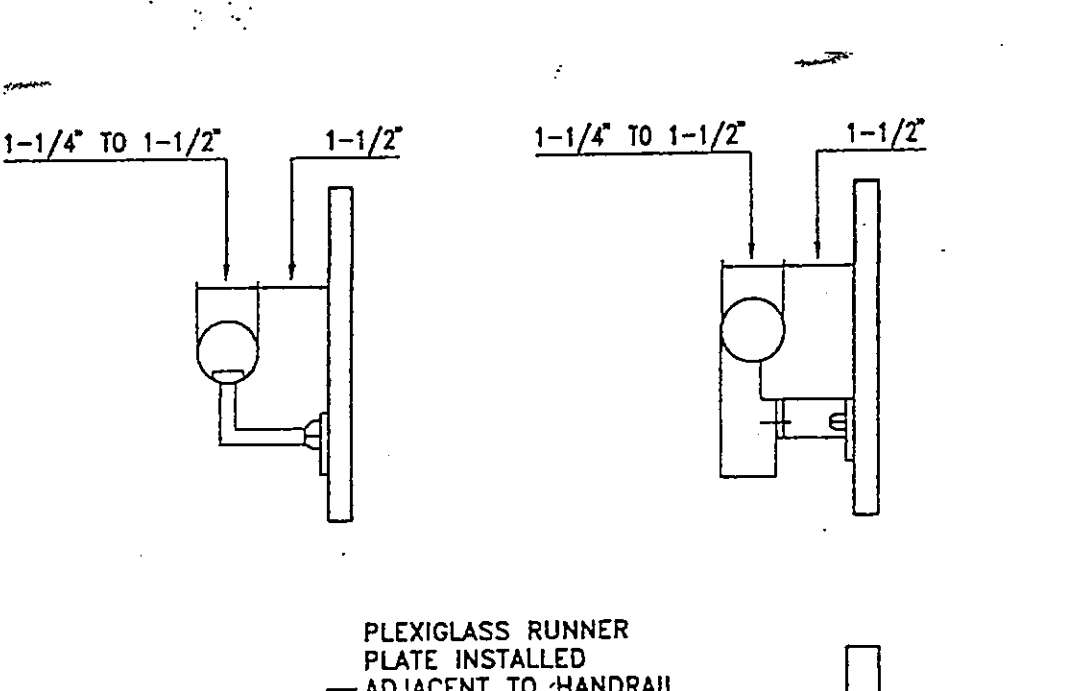


Fig. 33

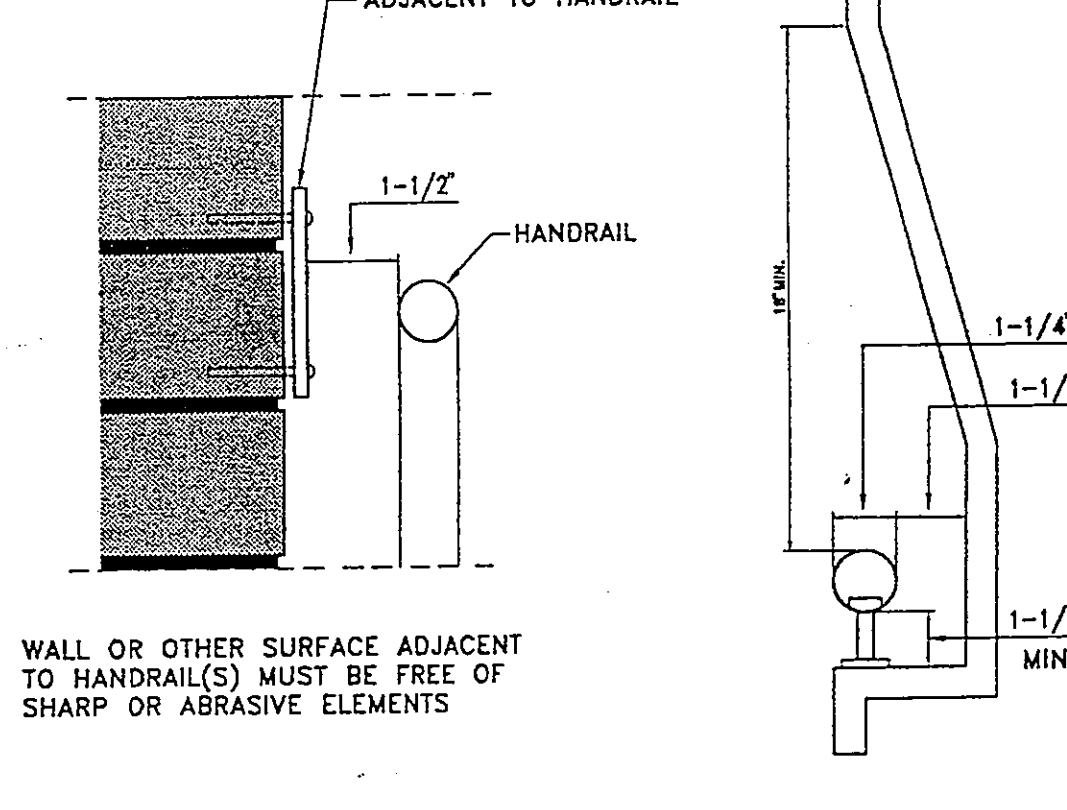


Fig. 34

HANDBRAILS AT RAMPS

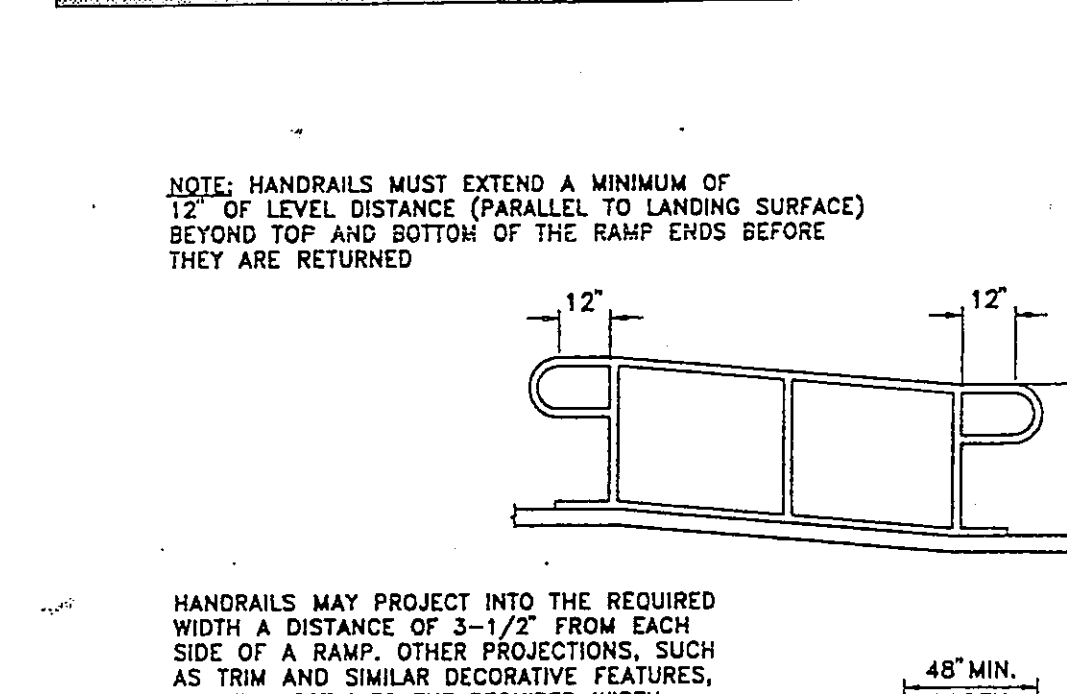


Fig. 35

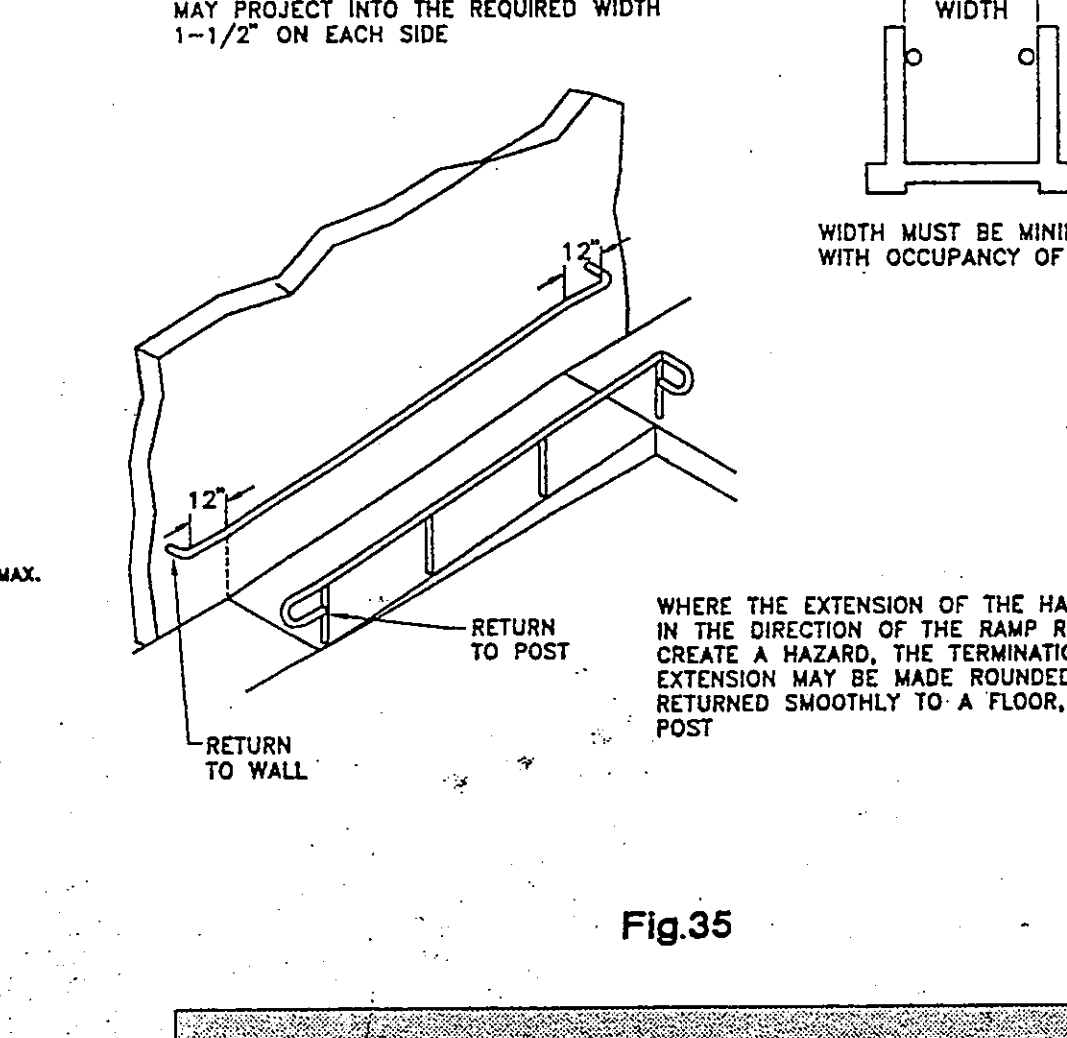


Fig. 36

HANDBRAILS AT RAMPS

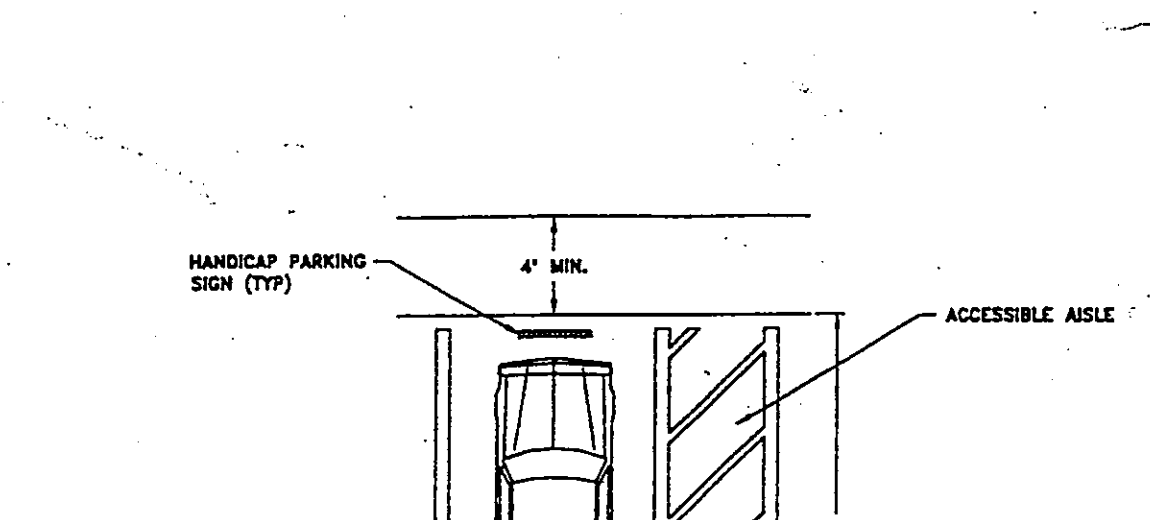


Fig. 21

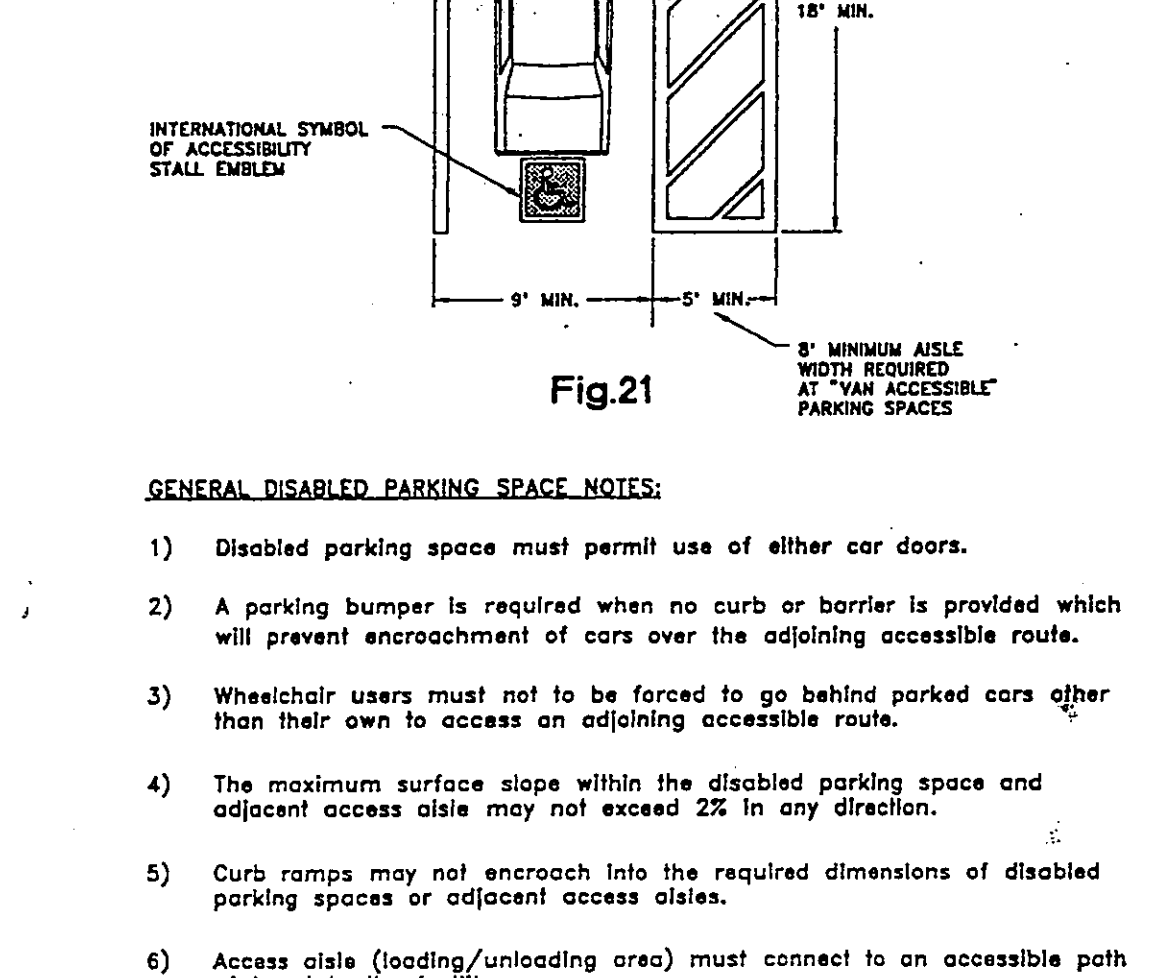


Fig. 23

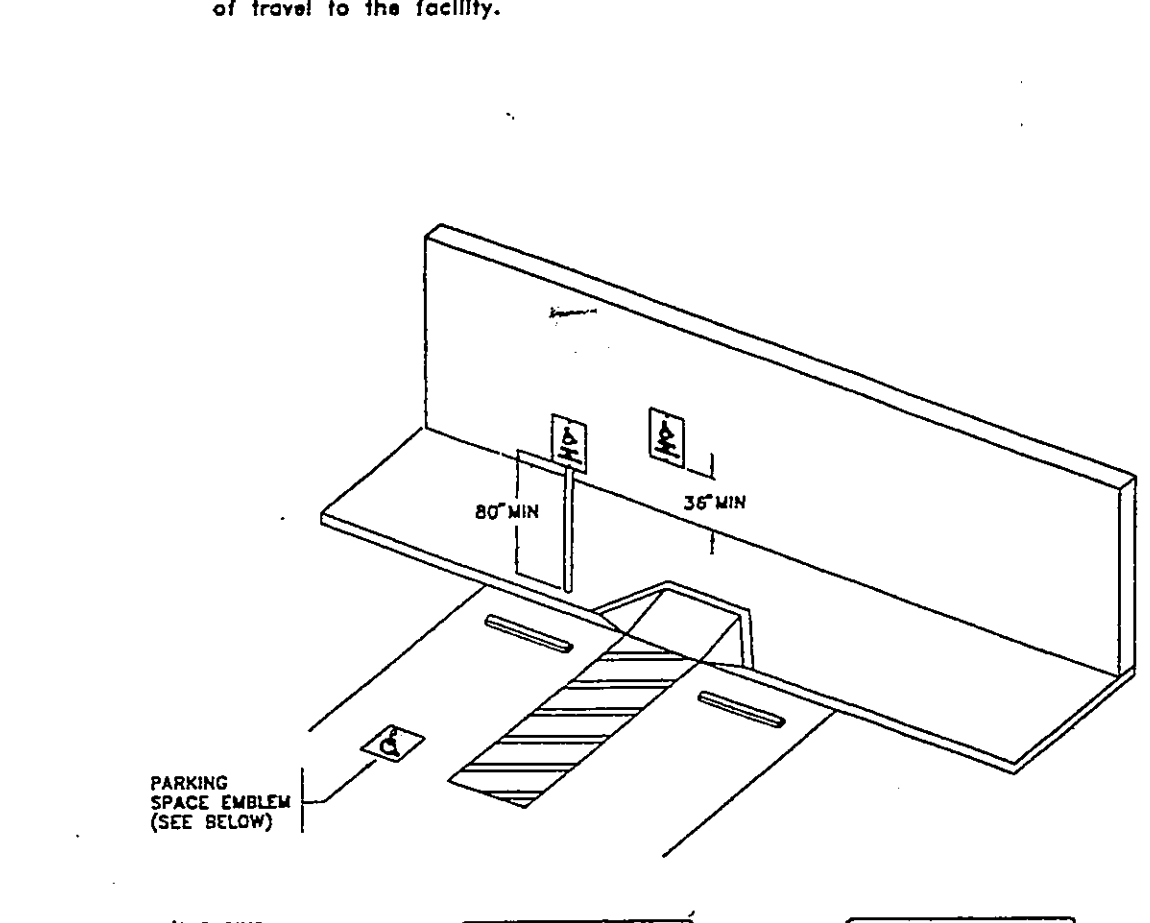


Fig. 24

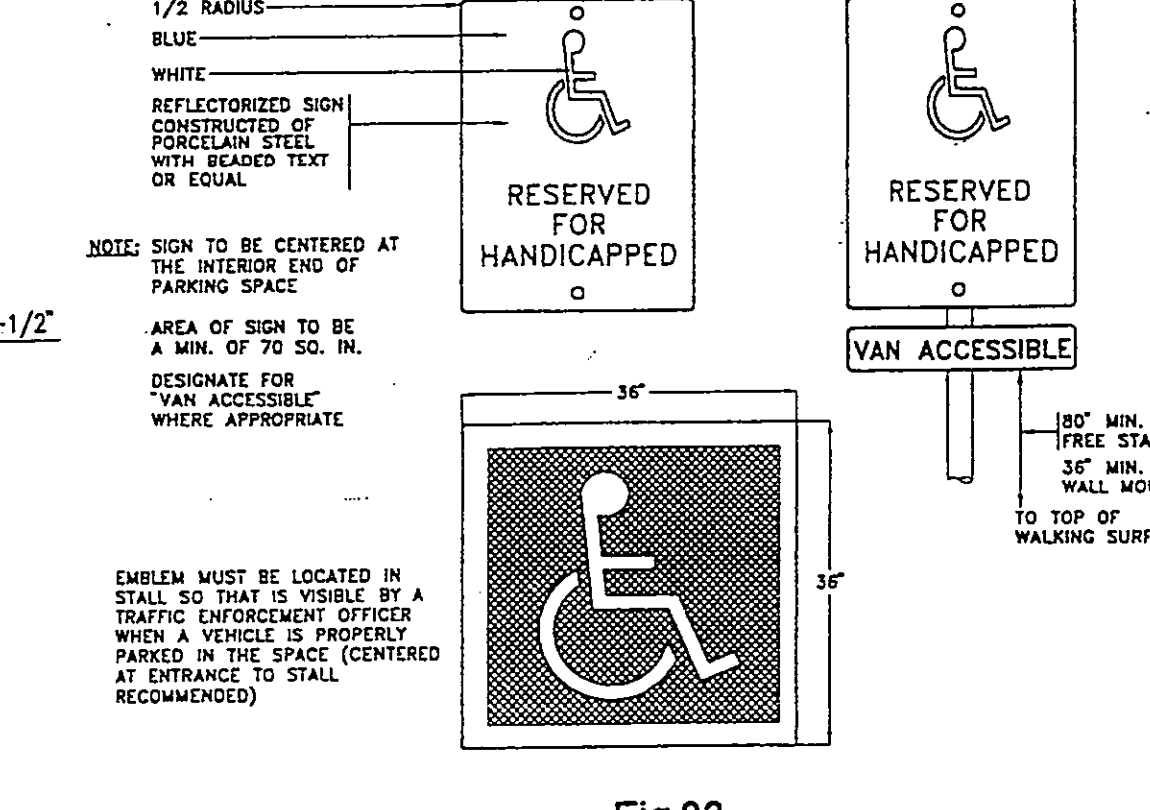


Fig. 25

PARKING SPACE SIGNAGE

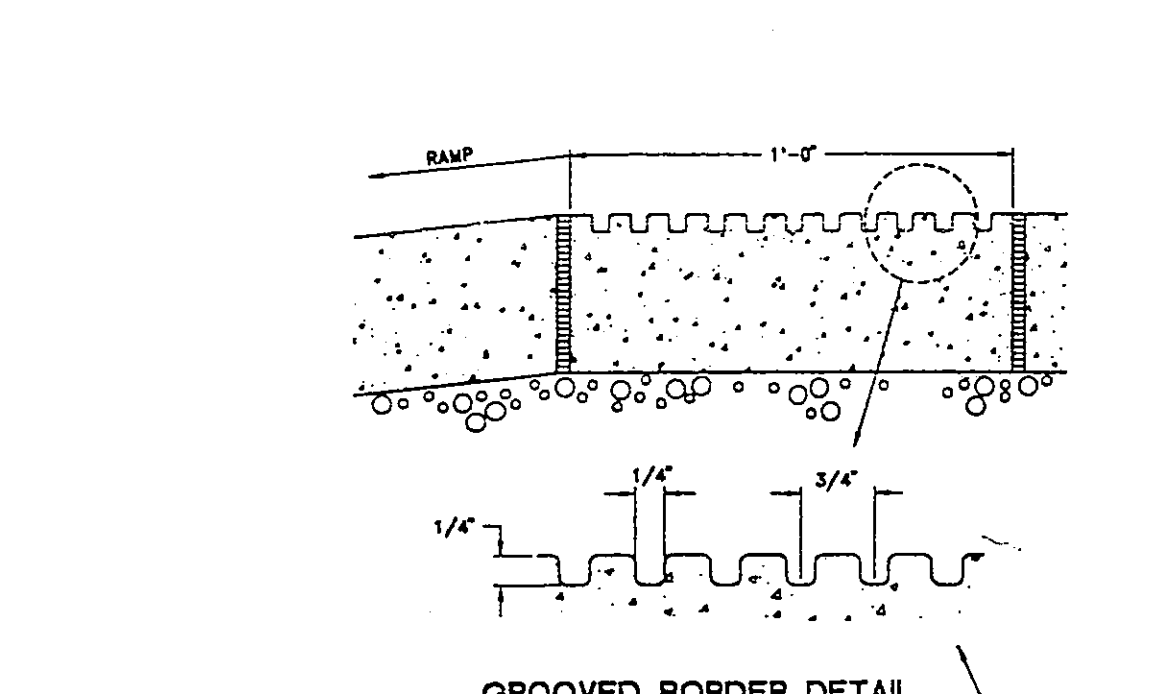


Fig. 26

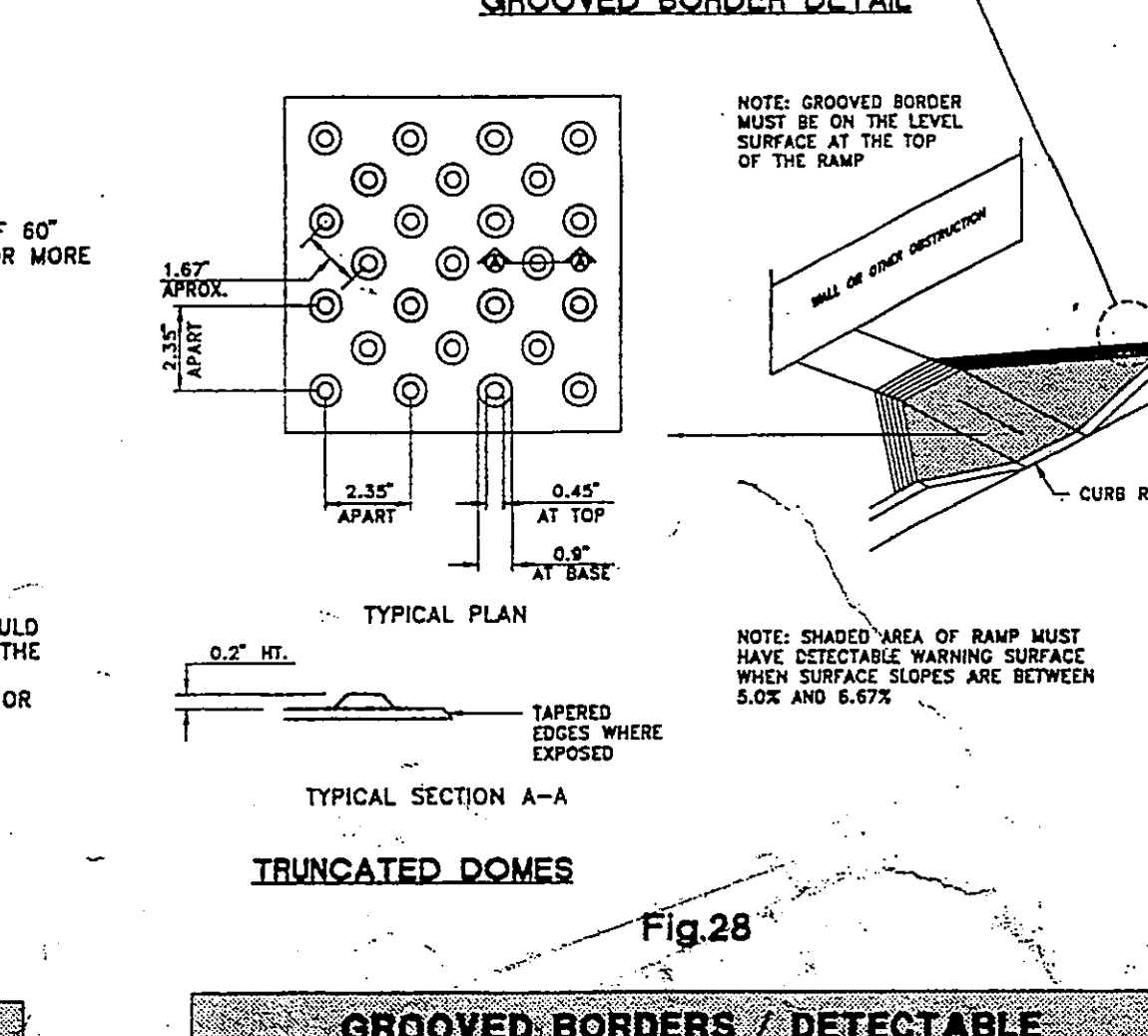


Fig. 28

GROOVED BORDERS / DETECTABLE WARNINGS ON CURB AND CURB-CUT RAMPS

RON YEO, FAIA ARCHITECT, INC.
300 JASMINE AVENUE, CORONA DEL MAR, CA 92625
TEL: 949/440-0489
PATRICK WARR, AIA, P.E. ASSOCIATE ARCHITECT



POINT VICENTE INTERPRETIVE
CENTER EXPANSION
31501 Palos Verdes Drive West
Rancho Palos Verdes, CA

Accessibility
Diagrams

DRAWN
PMM/G
CHECKED
BY
DATE
2/1/99
SCALE
none
JOB NO.
99-120
SHEET
D-4
30 OF 29

PIC EXPANSION
169-1700-0001
12-0-2003