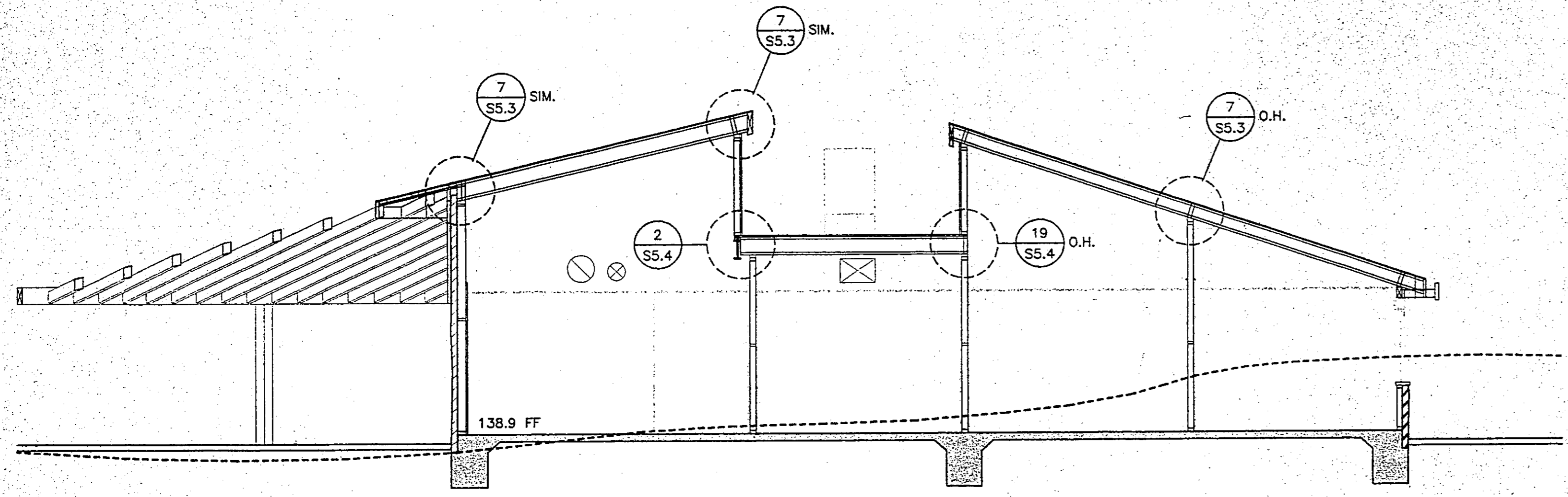
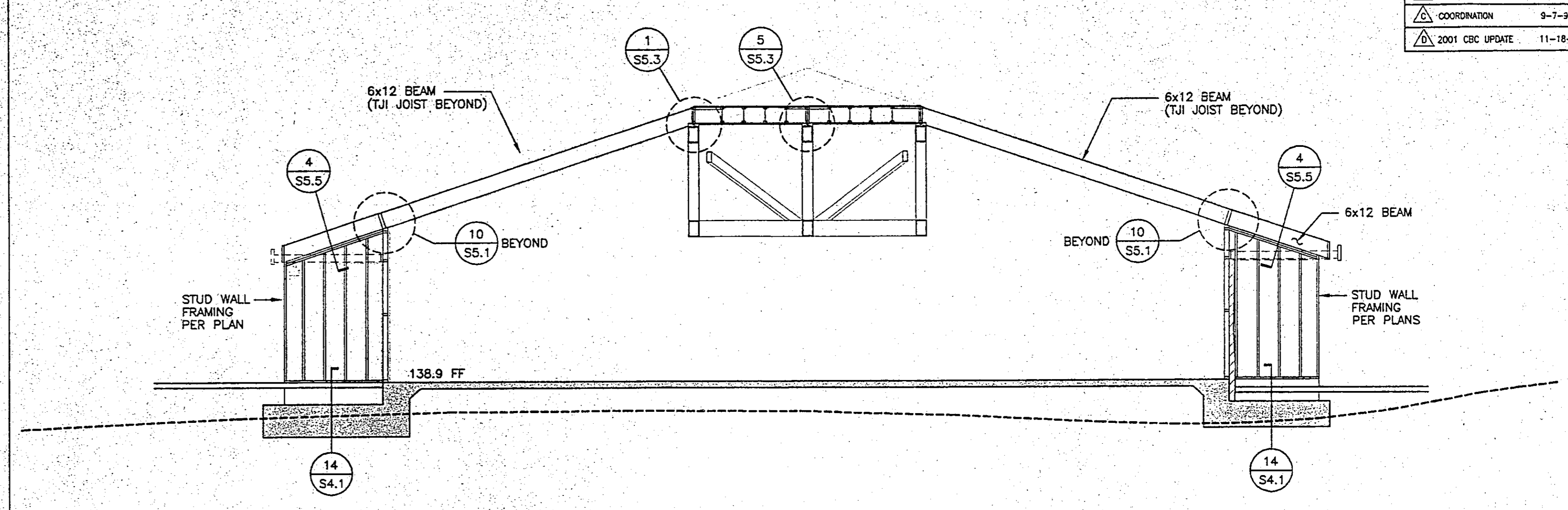


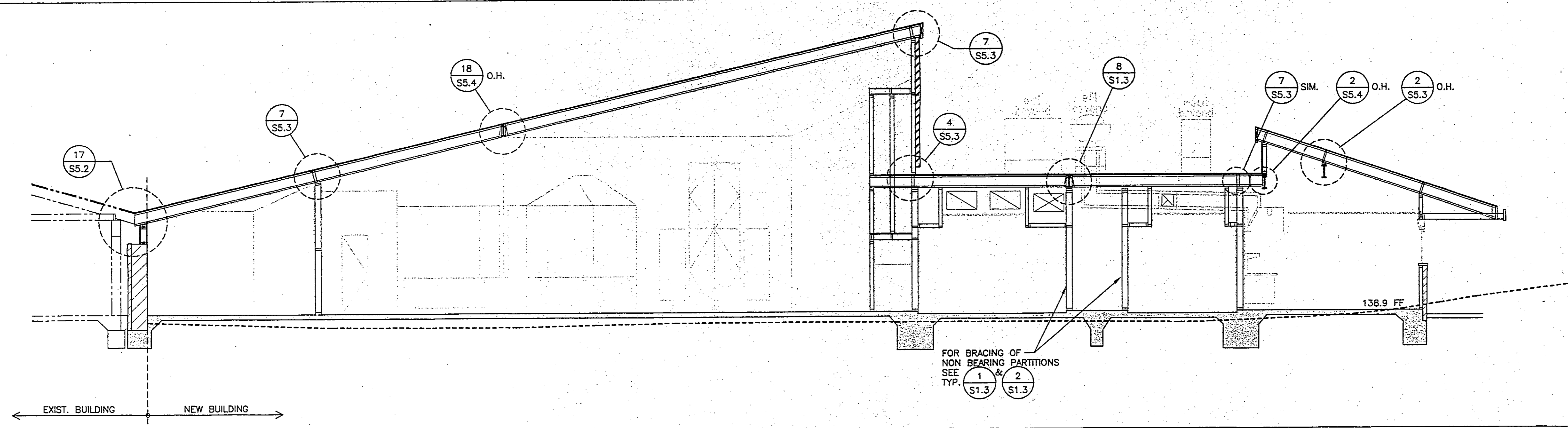
PLAN CHECK SUBMITAL 9-28-98
 PLAN CHECK COMMENTS 1-15-99
 COORDINATION 9-7-99
 2001 CBC UPDATE 11-18-03



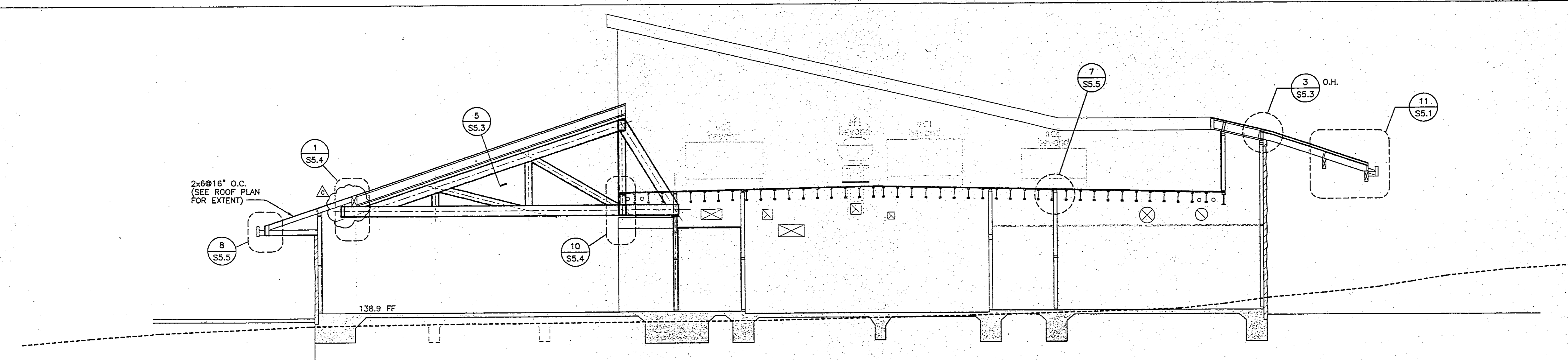
1 BUILDING SECTION
 SCALE: 3/16"=1'-0"



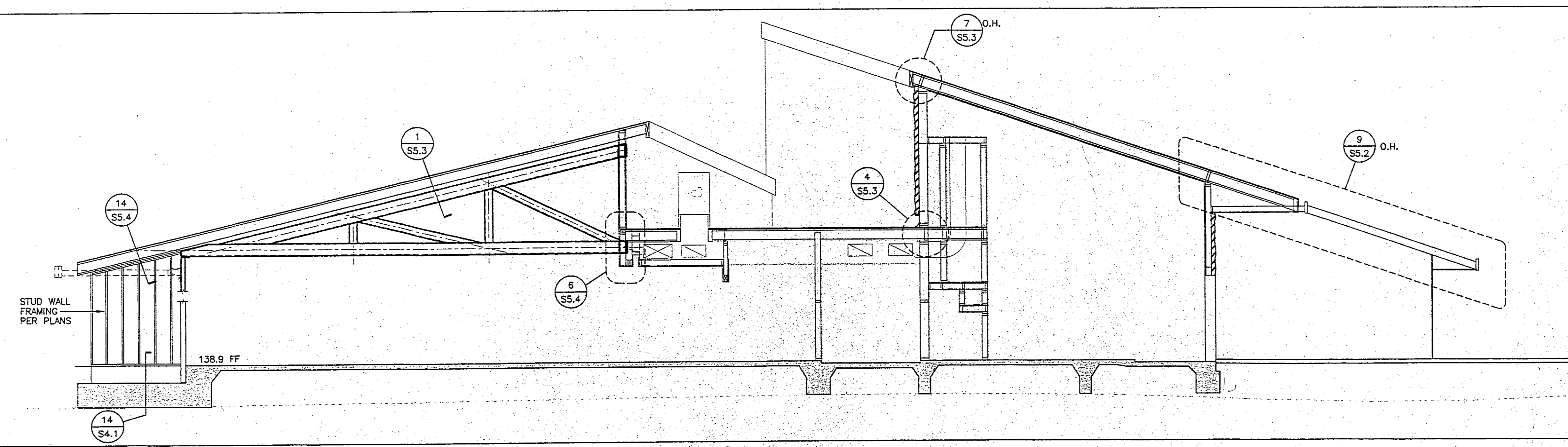
2 BUILDING SECTION
 SCALE: 3/16"=1'-0"



3 BUILDING SECTION
 SCALE: 3/16"=1'-0"

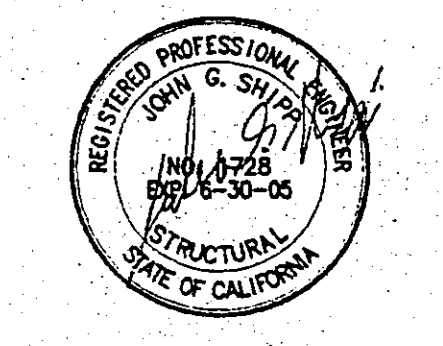


4 BUILDING SECTION
 SCALE: 3/16"=1'-0"



5 BUILDING SECTION
 SCALE: 3/16"=1'-0"

RON YEO, FAIA ARCHITECT, INC.
 500 JASMINE AVENUE, CORONA DEL MAR
 CALIFORNIA 92625 P:949-644-8111 F:949-644-0449
 PATRICK MARR, AIA, PE, ASSOCIATE ARCHITECT



ABS Consulting
 Structural Engineers Division
 15000 Park Valley Drive West
 Irvine, CA 92614-3000
 Phone (714) 734-4242
 Fax (714) 734-4272

POINT VICENTE INTERPRETIVE CENTER EXPANSION
 3150 Park Valley Drive West
 Rancho Palms Verdes, CA

BUILDING SECTIONS

DRAWN	DW
CHECKED	SM
DATE	
SCALE	3/16"=1'-0"
JOB. NO.	2003.01
SHEET	

S3.1
 45 OF 49 SHEETS

THESE DRAWINGS DO NOT CONTAIN THE NECESSARY COMMENTS FOR CONSTRUCTION SAFETY
 plans are not to be changed or copied in any form or manner, nor are they to be assigned to a contractor without the written permission and consent of Ron Yeo, Architect, Inc.