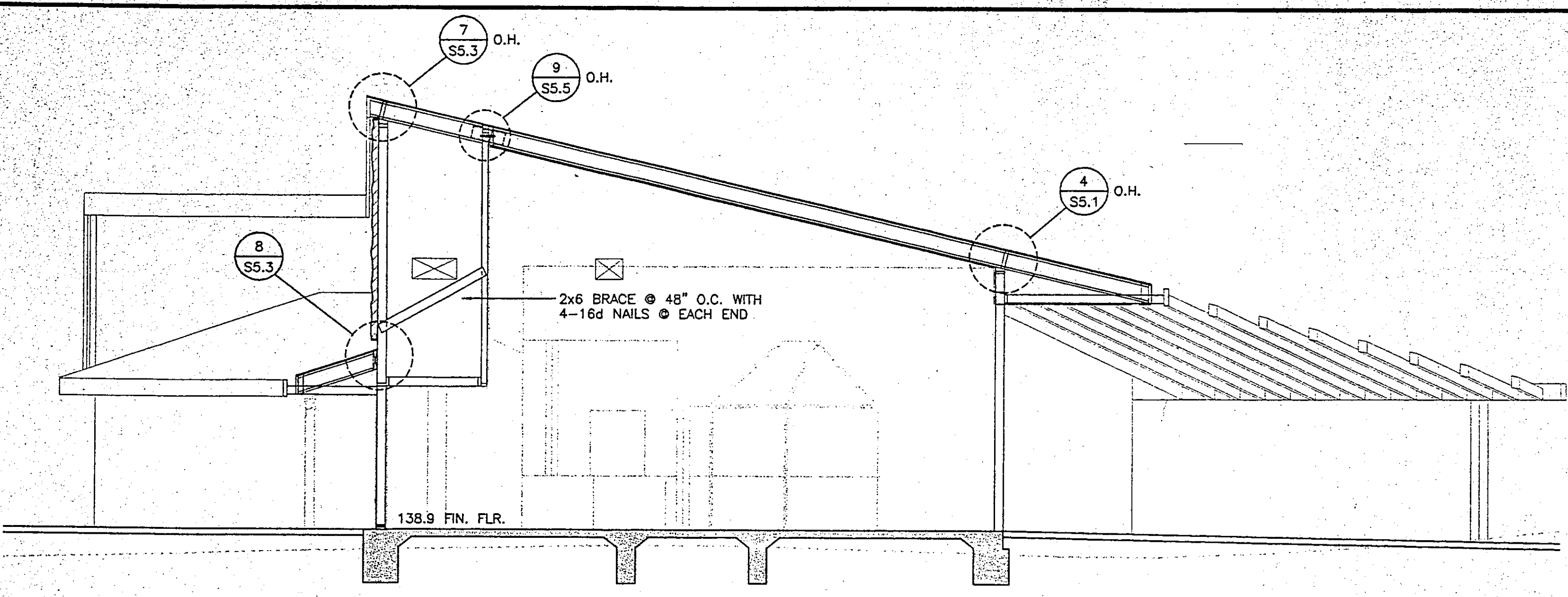
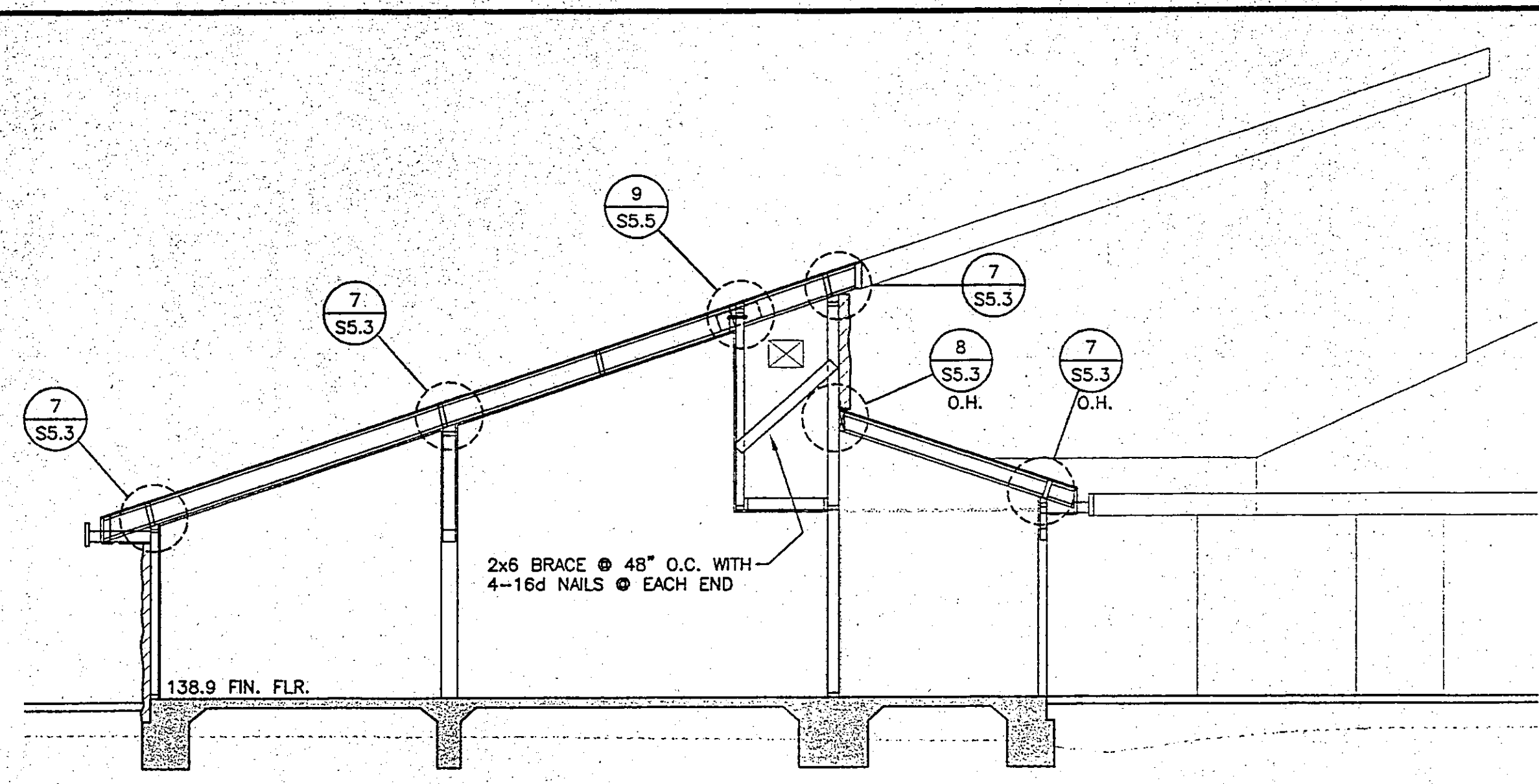


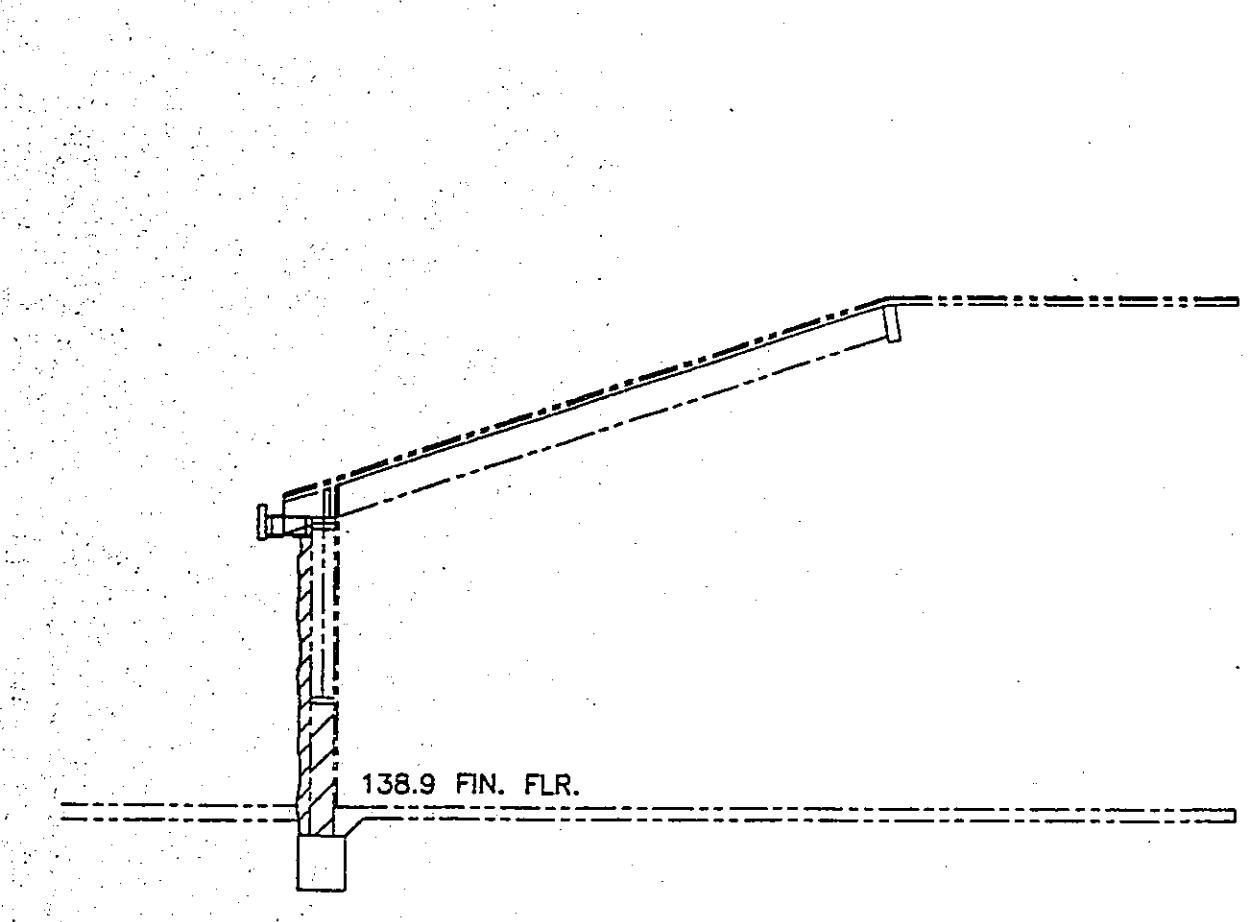
PLAN CHECK SUBMITAL 9-28-98
 PLAN CHECK COMMENTS 1-15-99
 2001 CSC UPDATE 11-18-03



BUILDING SECTION

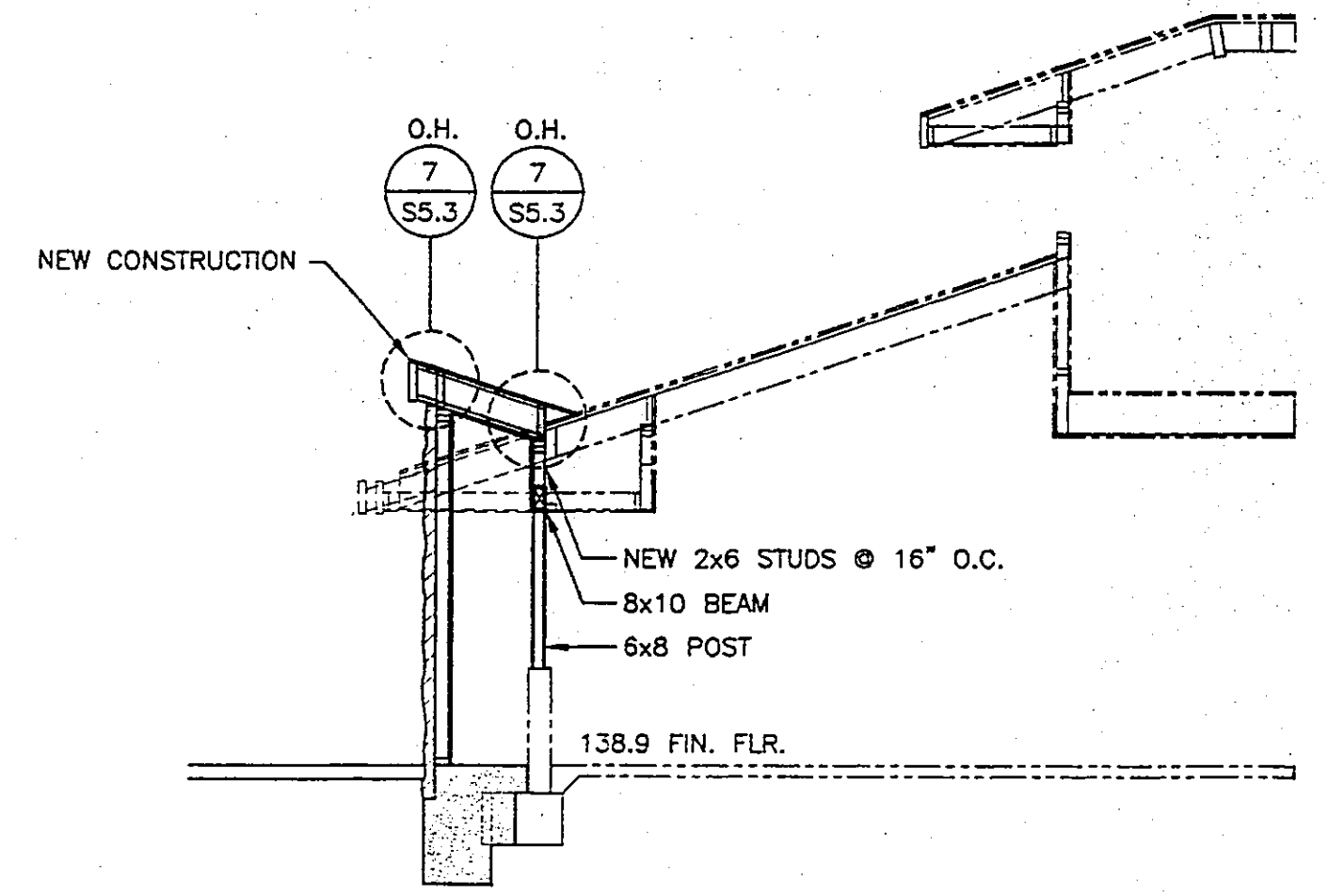


BUILDING SECTION



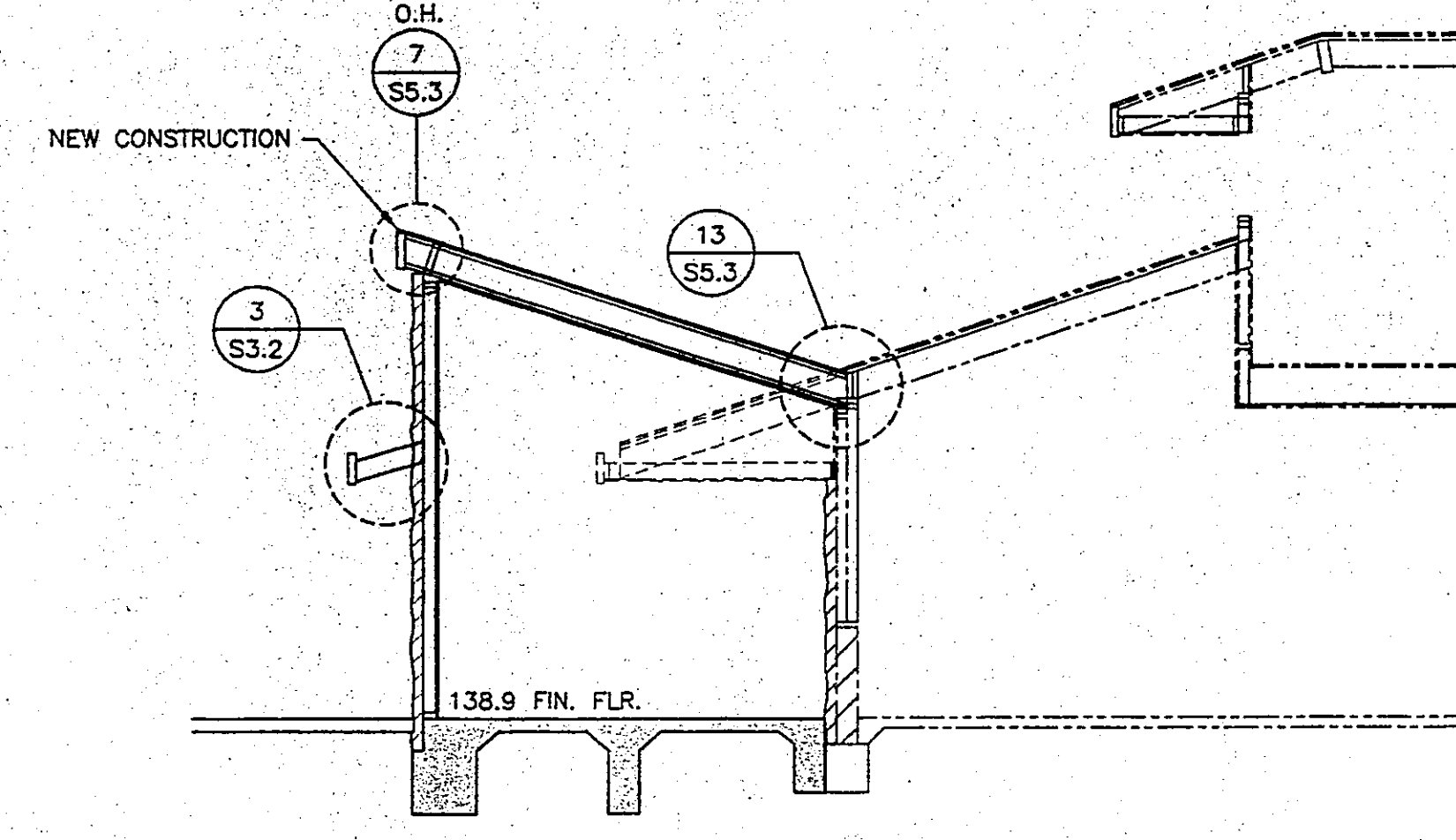
NOTE: CONSTRUCTION IS SHOWN IN PHANTOM LINES (-----)
 EXIST. CONSTRUCTION TO BE REMOVED IS SHOWN IN DASHED LINES (-----)
 (SEE ARCH'L DWG'S FOR EXTEND OF DEMOLITION WORK)

BUILDING SECTION



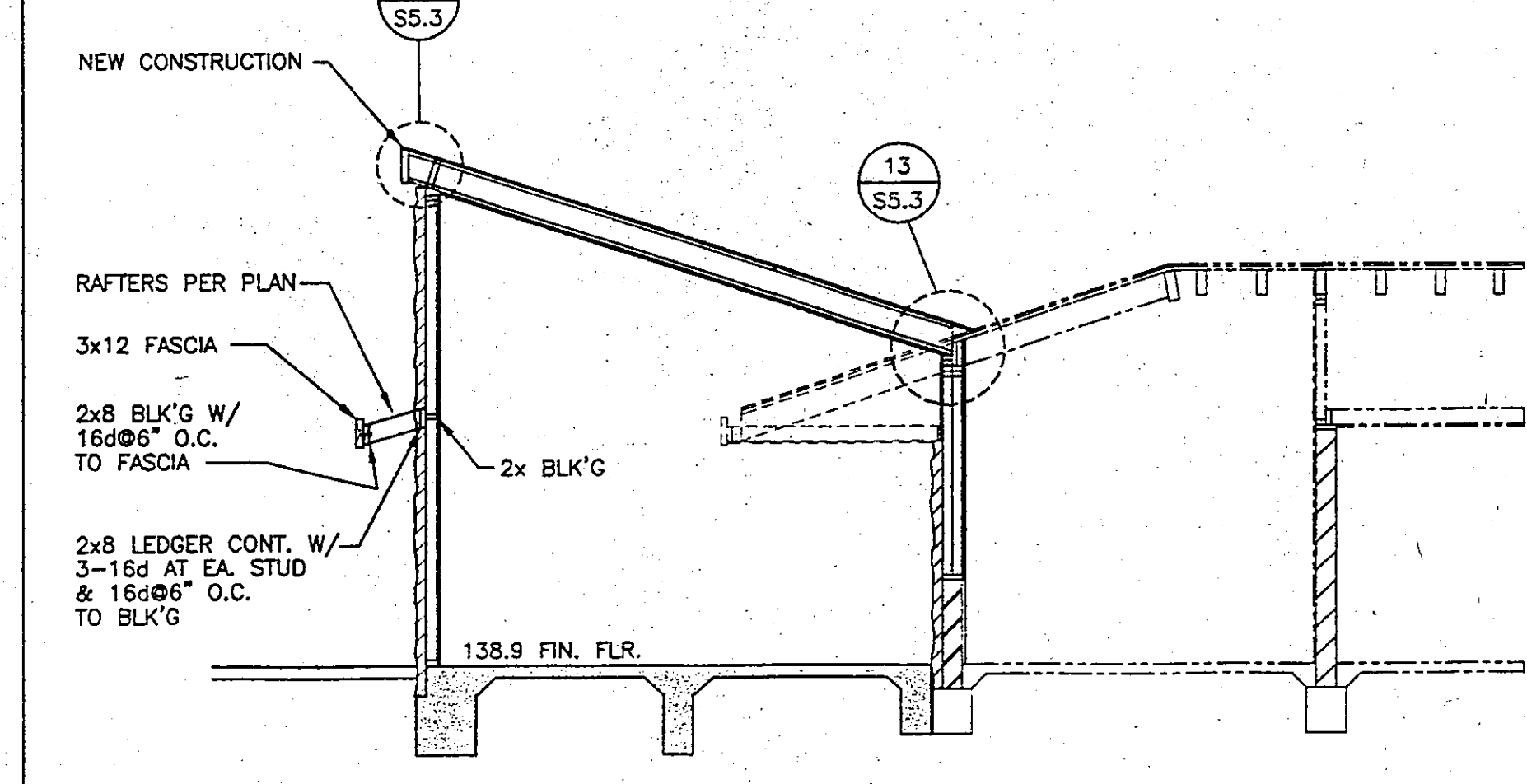
NOTE: CONSTRUCTION IS SHOWN IN PHANTOM LINES (-----)
 EXIST. CONSTRUCTION TO BE REMOVED IS SHOWN IN DASHED LINES (-----)
 (SEE ARCH'L DWG'S FOR EXTEND OF DEMOLITION WORK)

BUILDING SECTION



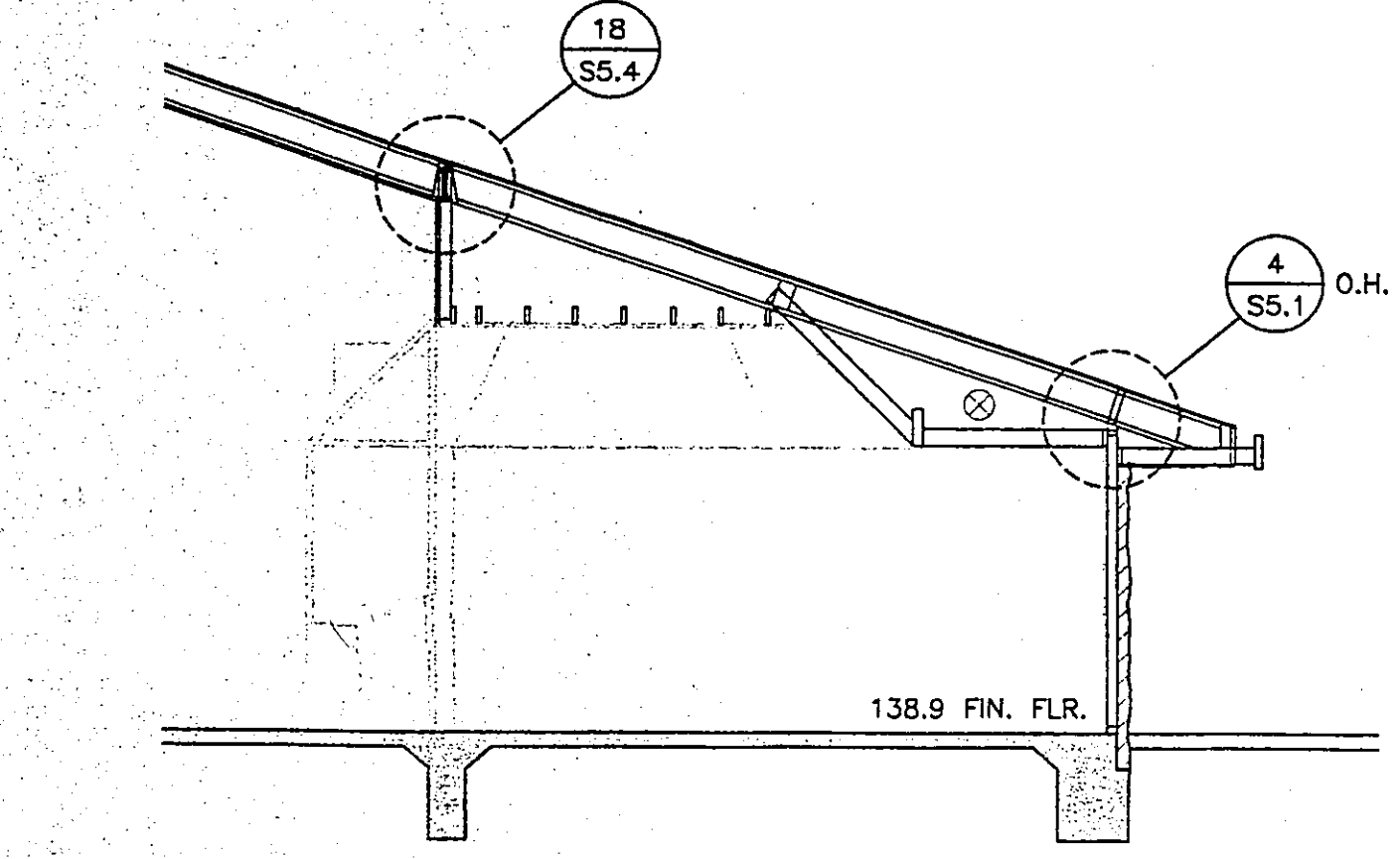
NOTE: CONSTRUCTION IS SHOWN IN PHANTOM LINES (-----)
 EXIST. CONSTRUCTION TO BE REMOVED IS SHOWN IN DASHED LINES (-----)
 (SEE ARCH'L DWG'S FOR EXTEND OF DEMOLITION WORK)

BUILDING SECTION

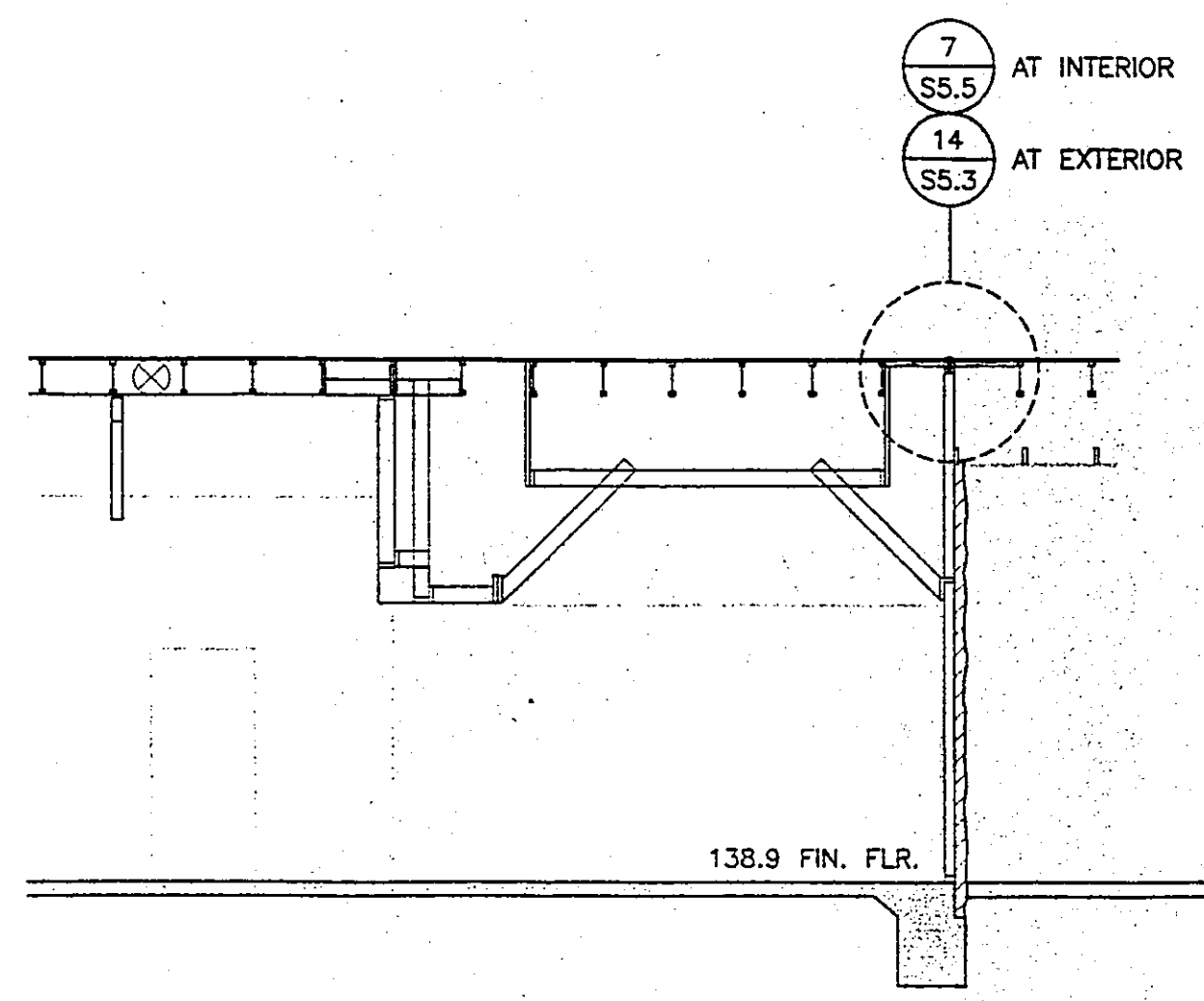


NOTE: CONSTRUCTION IS SHOWN IN PHANTOM LINES (-----)
 EXIST. CONSTRUCTION TO BE REMOVED IS SHOWN IN DASHED LINES (-----)
 (SEE ARCH'L DWG'S FOR EXTEND OF DEMOLITION WORK)

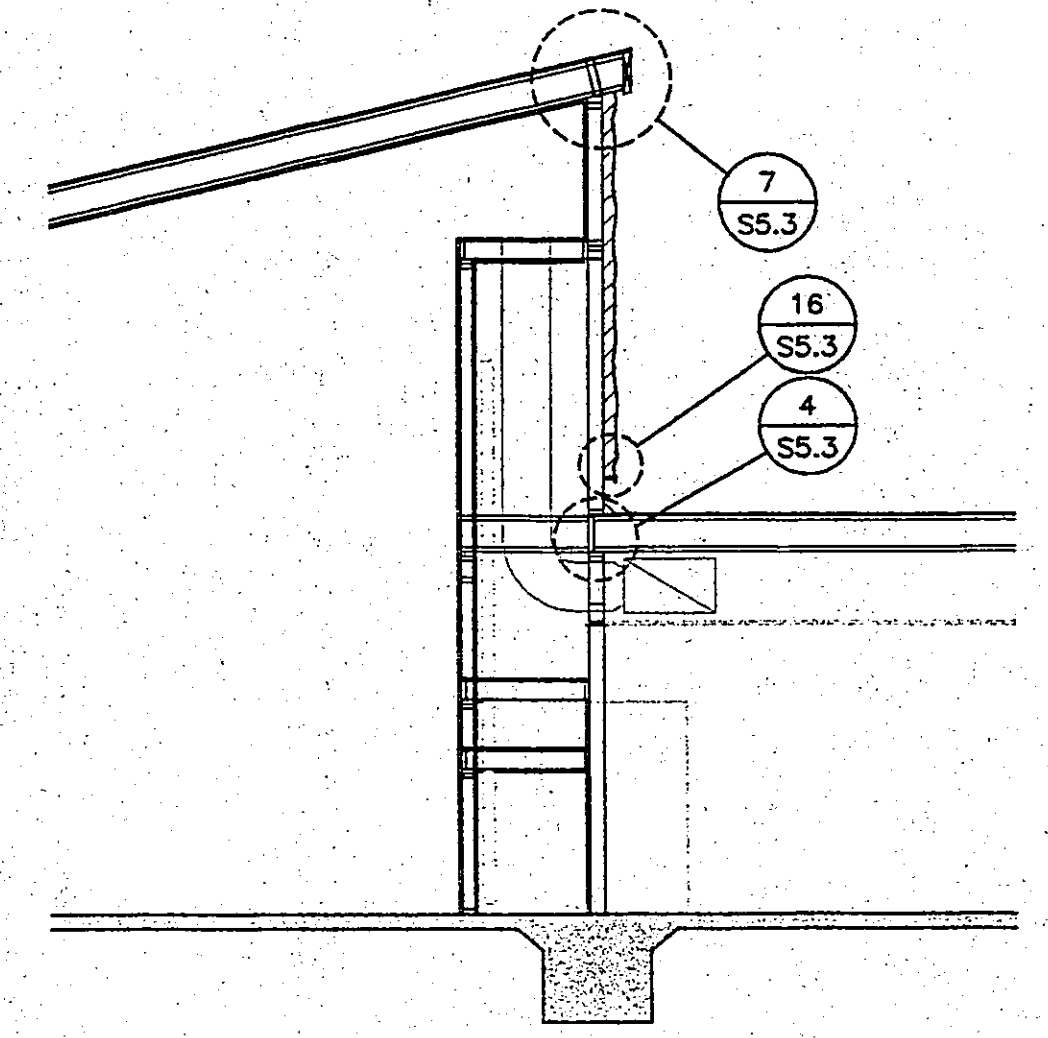
BUILDING SECTION



BUILDING SECTION

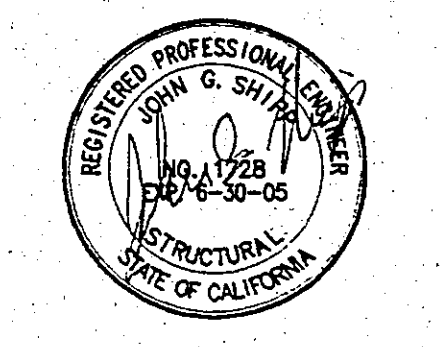


BUILDING SECTION



BUILDING SECTION

RON YEO, FAIA ARCHITECT, INC.
 500 JASMINE AVENUE, CORONA DEL MAR
 CALIFORNIA 92625 P:949-644-8111 F:949-644-0449
 PATRICK MARR, AIA, PE, ASSOCIATE ARCHITECT



ABS Consulting
 EOE Structural Engineers Division
 300 Commerce Drive, Suite 300
 Irvine, Calif. 92602-8000 USA
 Phone (714) 754-4848
 Fax (714) 754-4272

POINT VICENTE INTERPRETIVE CENTER EXPANSION
 31501 Palos Verdes Drive West
 Rancho Palos Verdes, CA

BUILDING SECTIONS

DRAWN	SW
CHECKED	SW
DATE	
SCALE	1/4"=1'-0"
JOB. NO.	200401
SHEET	

S3.2
 46 OF 69 SHEETS

form or manner, nor are they to be assigned to a third party without first obtaining the written permission and consent of Ron Yeo, Architect Inc.

THESE DRAWINGS DO NOT CONTAIN THE NECESSARY COMPONENTS FOR CONSTRUCTION SAFETY