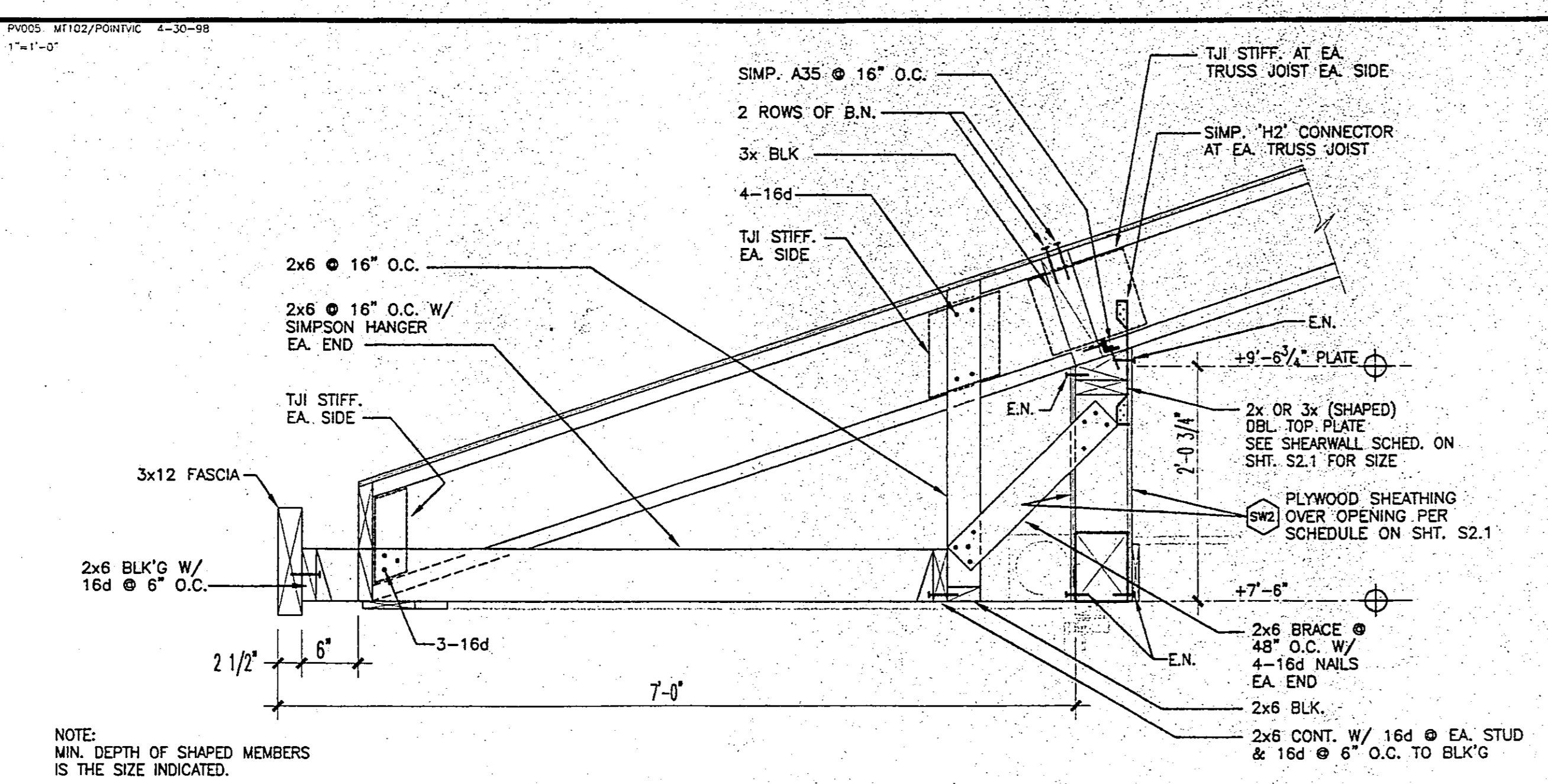
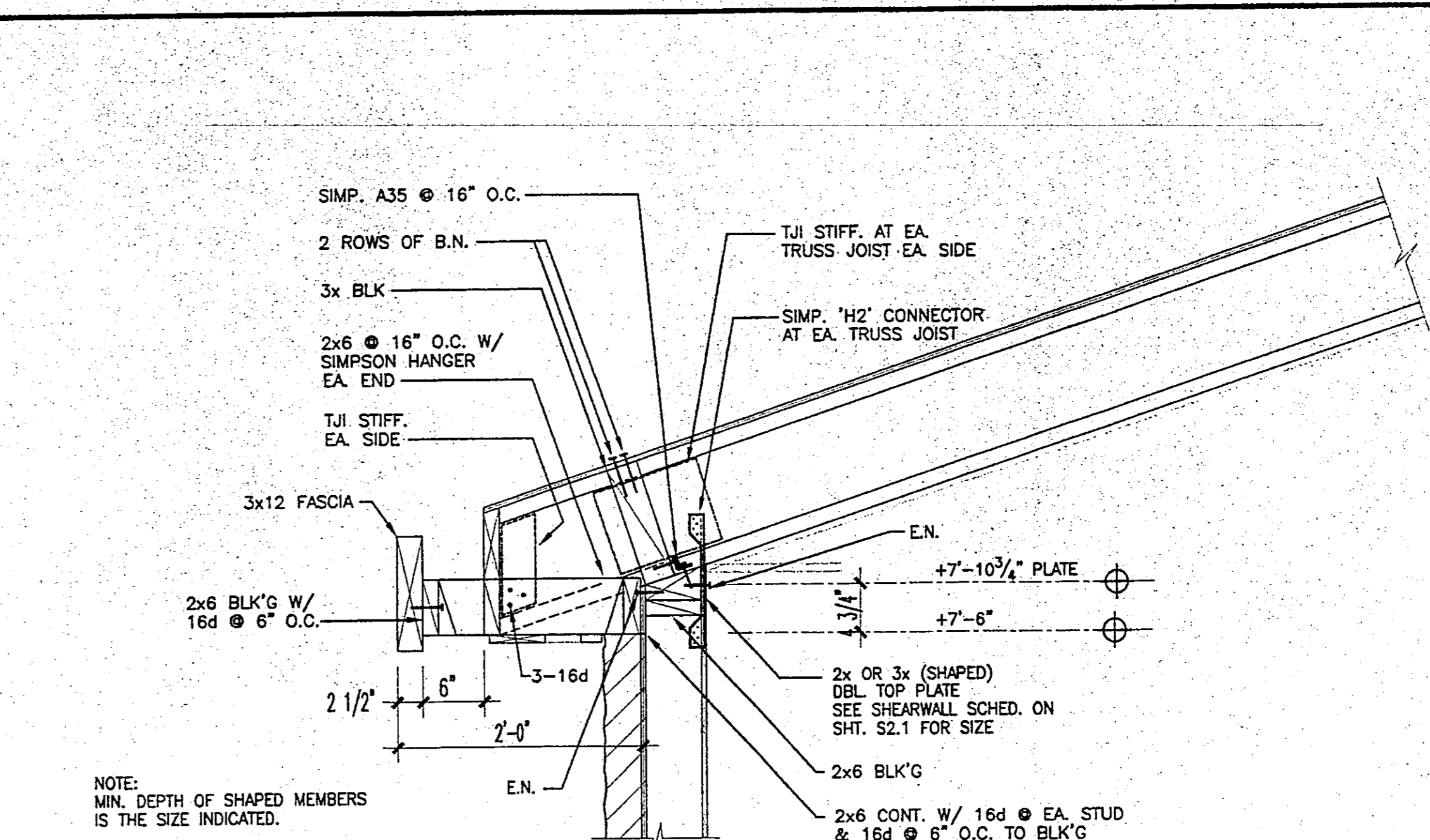


17

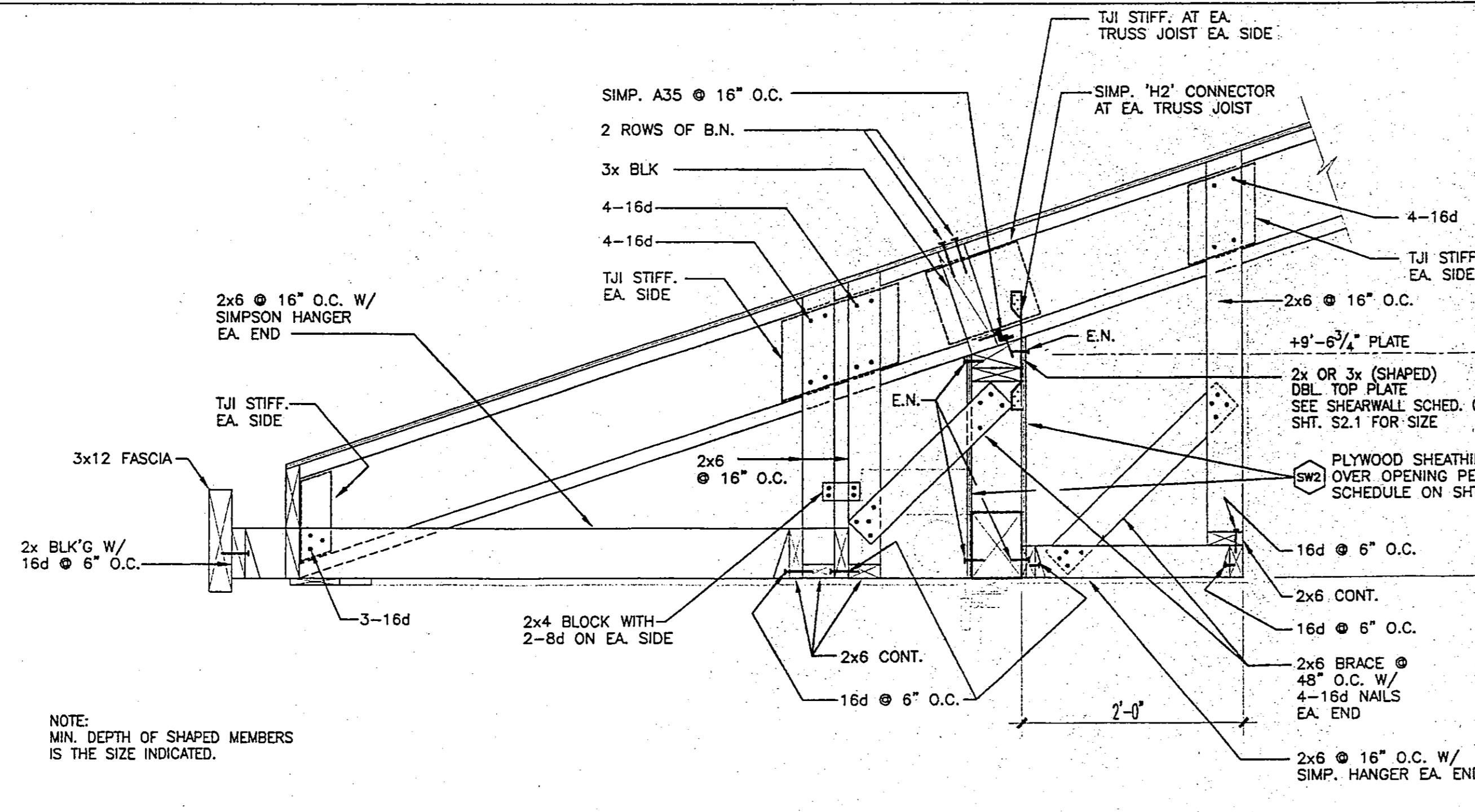


9

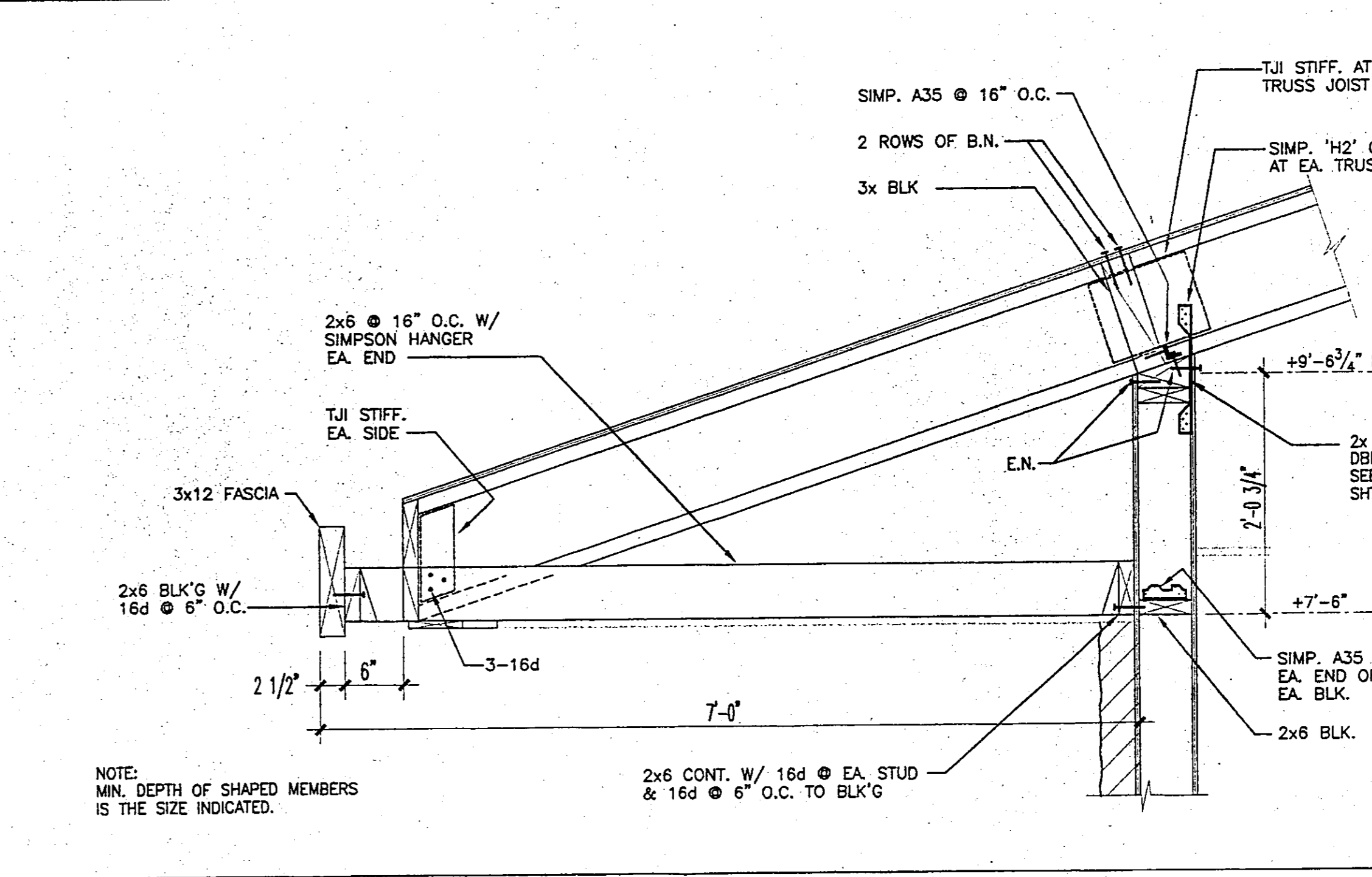


1

18

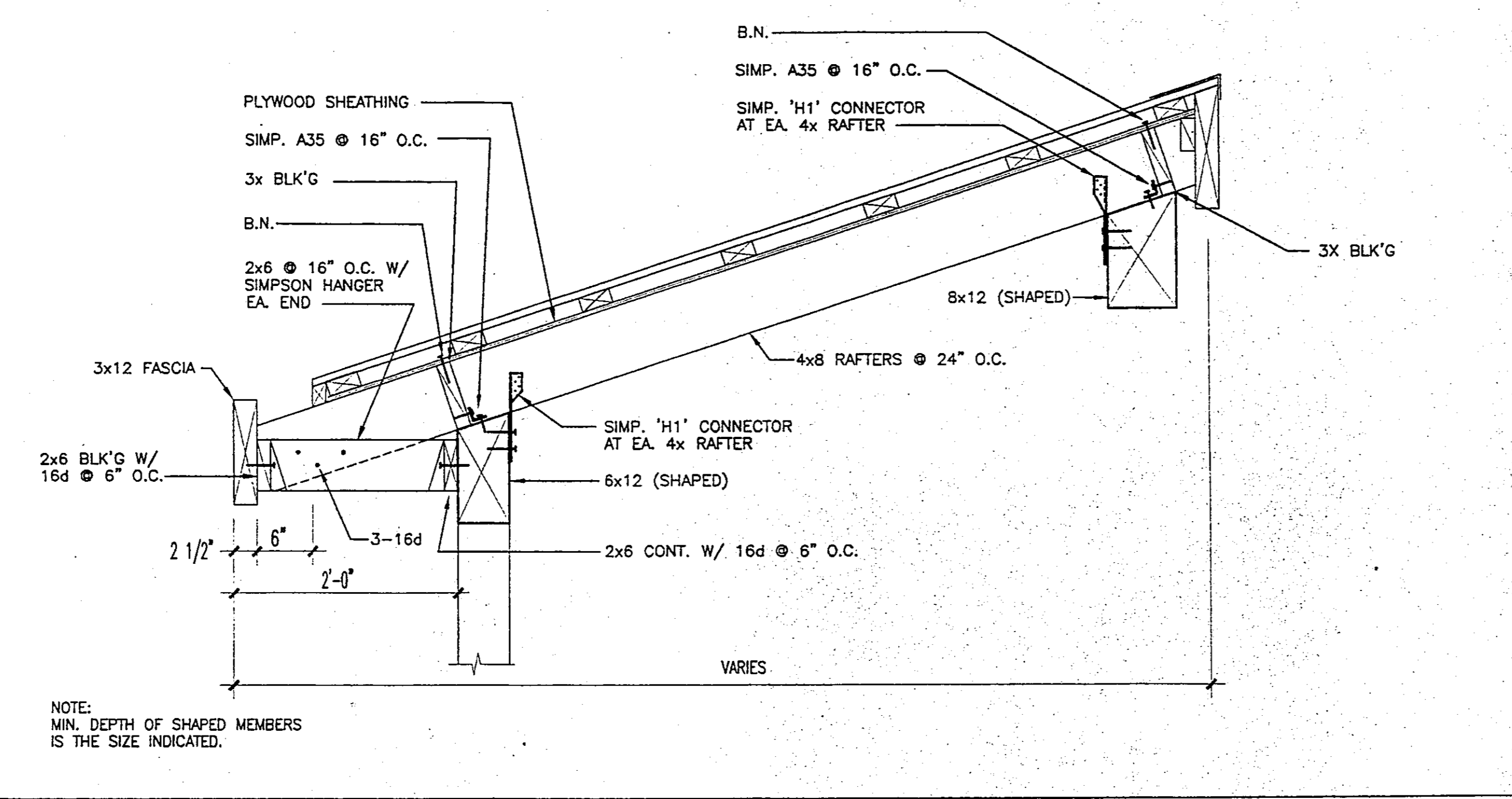


10

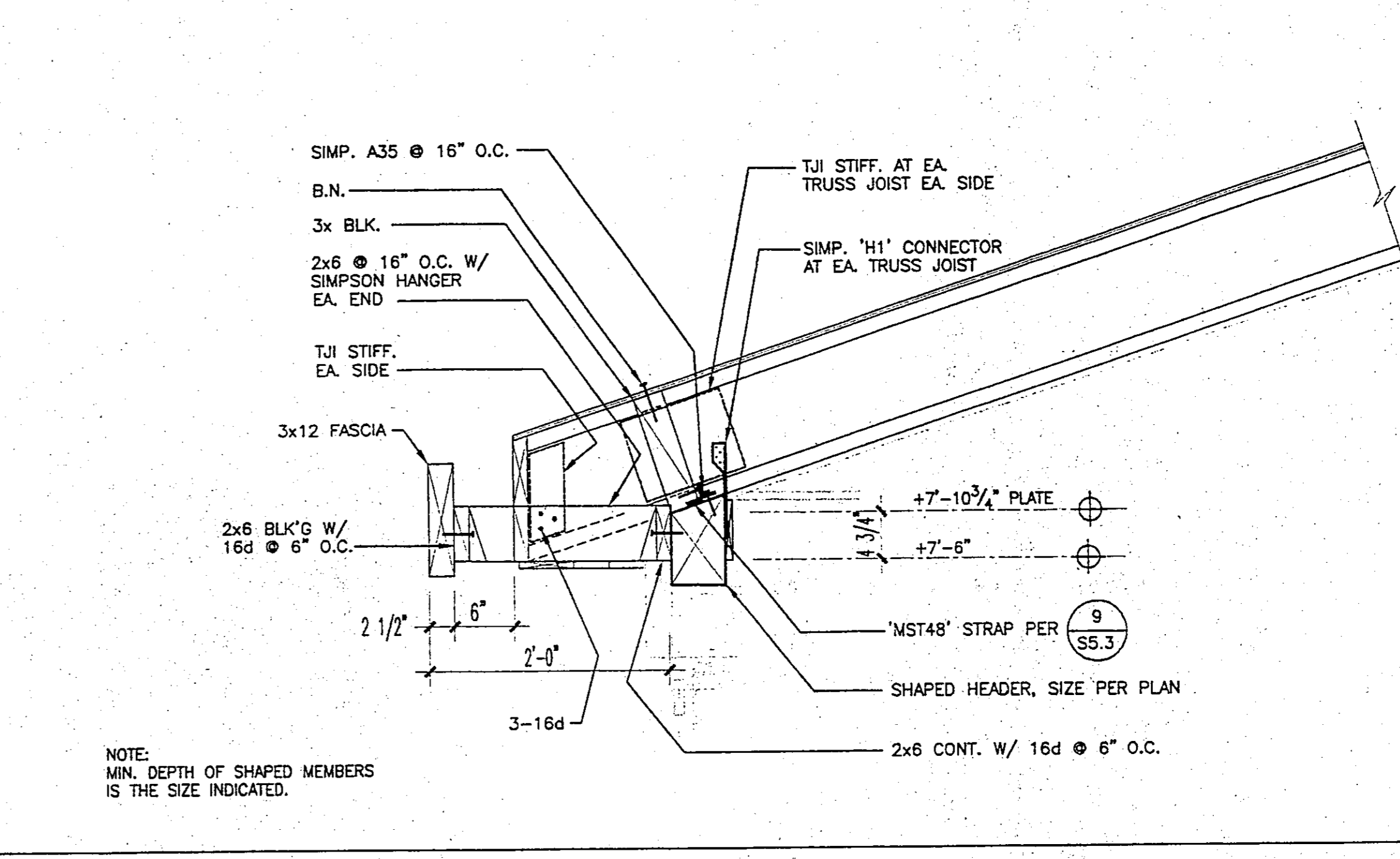


2

19

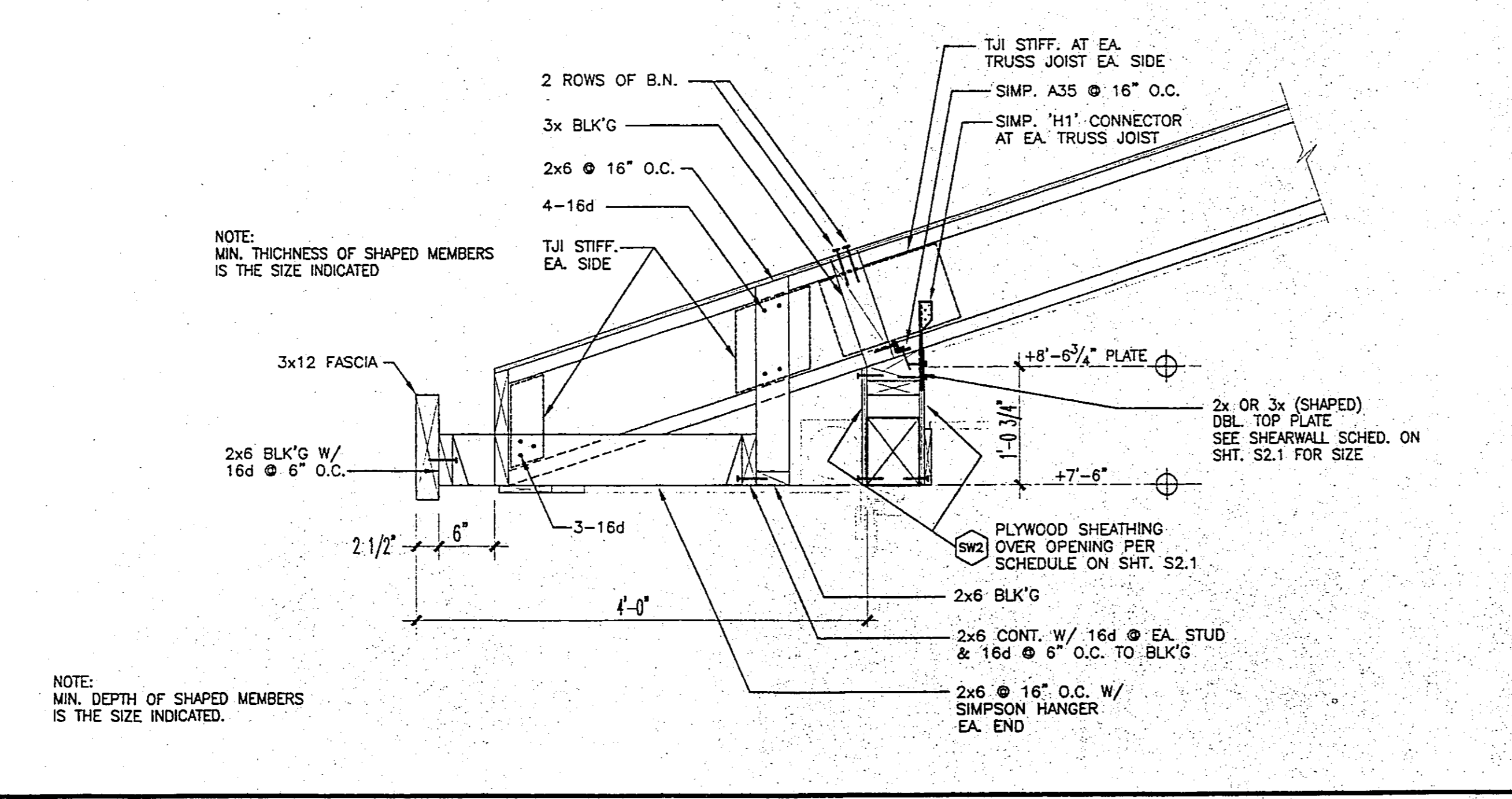


11

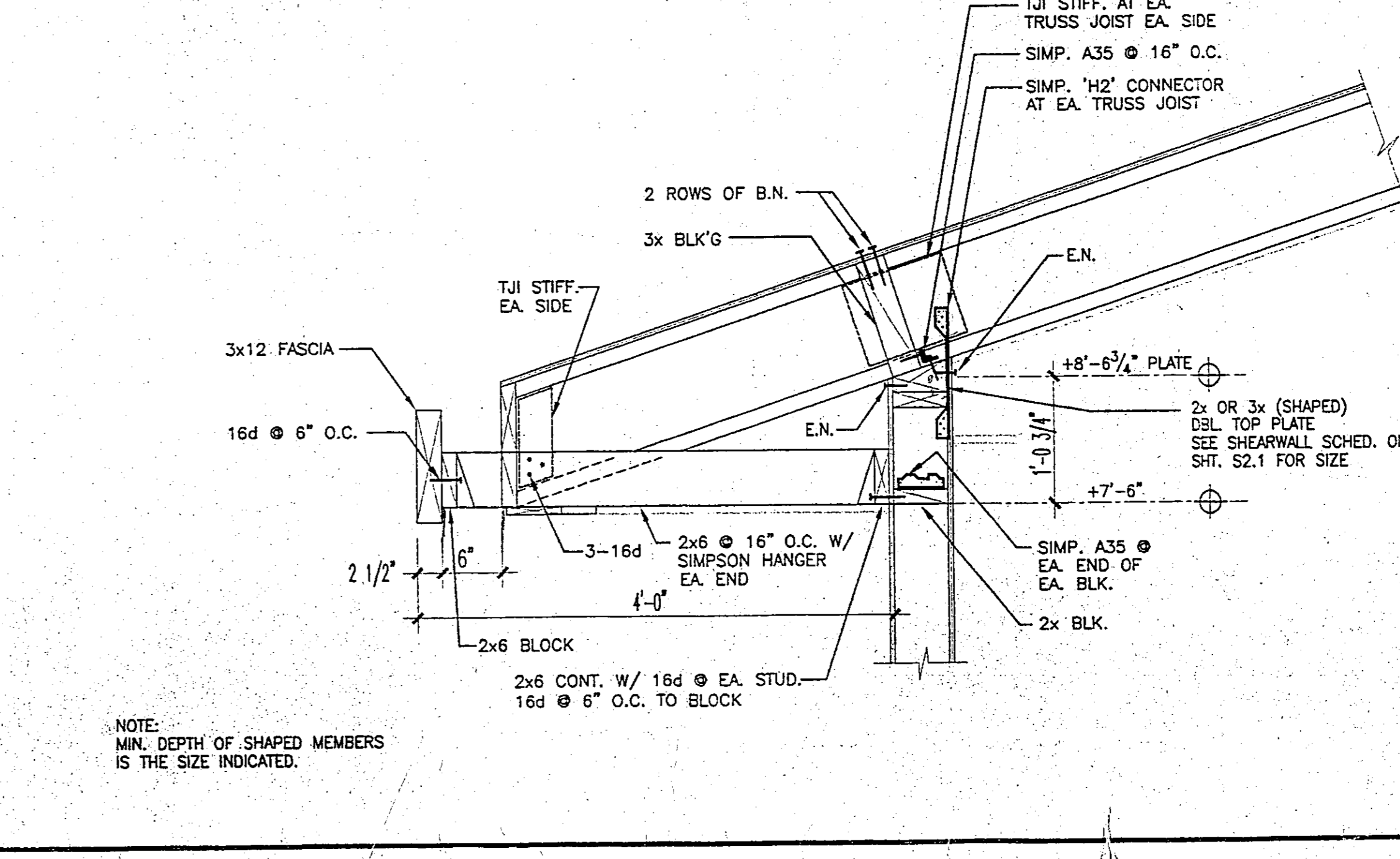


3

20

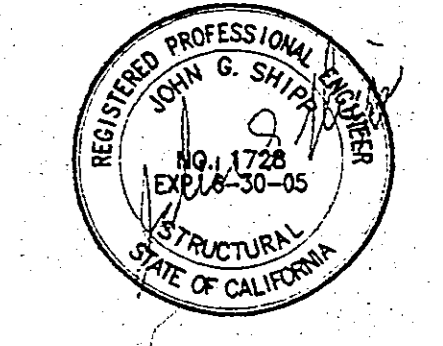


12



4

RON YEO, FAIA ARCHITECT, INC.
 500 JASMINE AVENUE, CORONA DEL MAR
 CALIFORNIA 92625 P:949-844-8111 F:949-644-0449
 PATRICK MARR, AIA, PE, ASSOCIATE ARCHITECT



ABS Consulting
 ECE Structural Engineers Division
 300 Commerce Drive, Suite 300
 Irvine, Calif. 92602-3000 USA
 Phone (714) 734-5242
 Fax (714) 734-5272

POINT VICENTE INTERPRETIVE CENTER EXPANSION
 31501 Palos Verdes Drive West
 Rancho Palos Verdes, CA

ROOF FRAMING SECTIONS AND DETAILS

DRAWN BY	SA
CHECKED BY	SA
DATE	
SCALE	1/4" = 1'-0"
JOB NO.	2663401
SHEET	

S5.1
 OF 69 SHEETS

These drawings do not contain the necessary components for construction safety.
 Plans are not to be changed or copied in any way without the written permission and consent of Ron Yeo, Architect Inc.