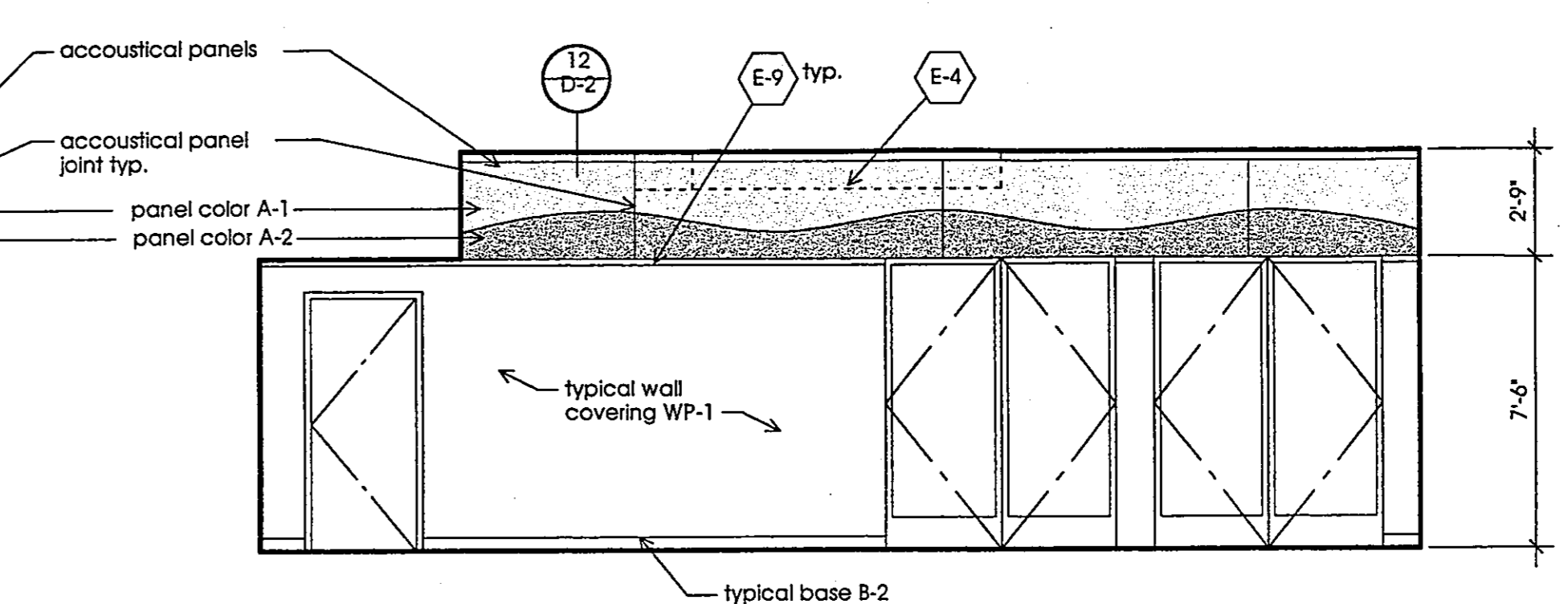
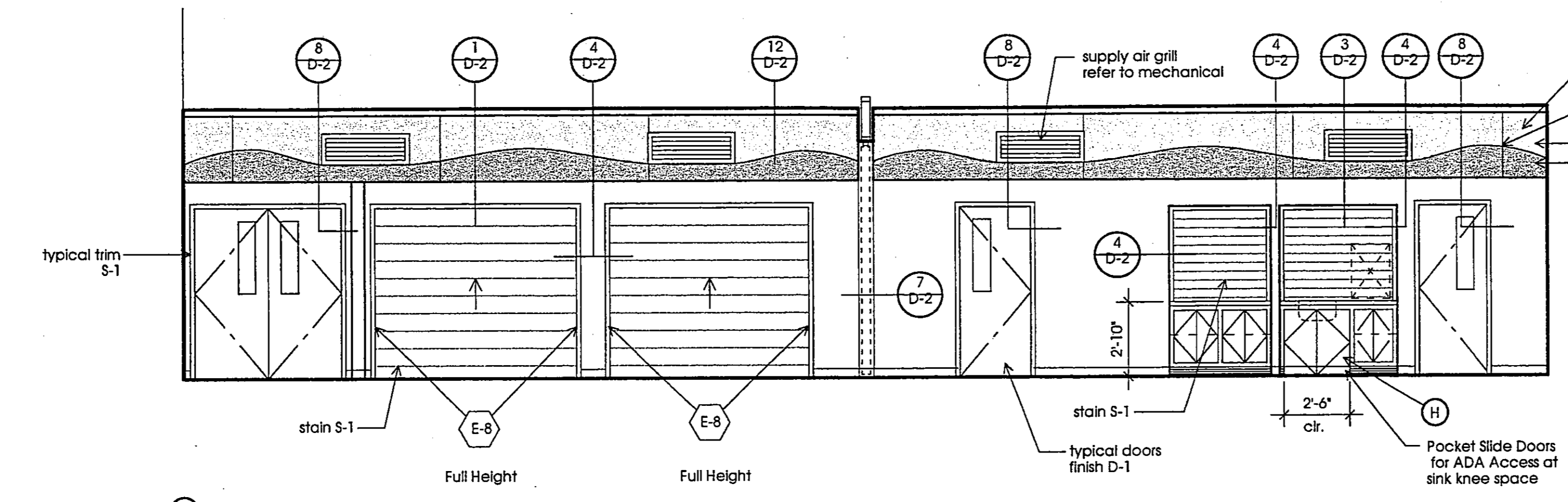
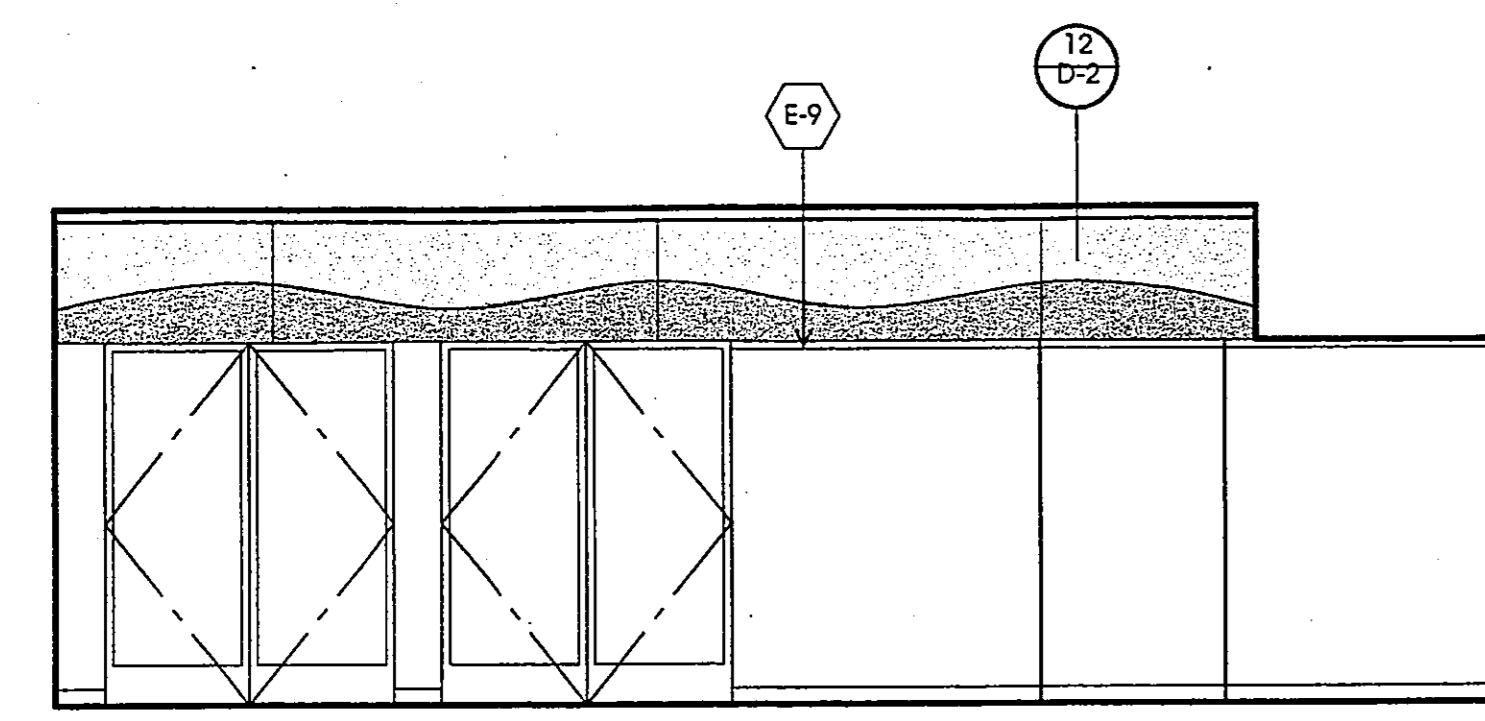


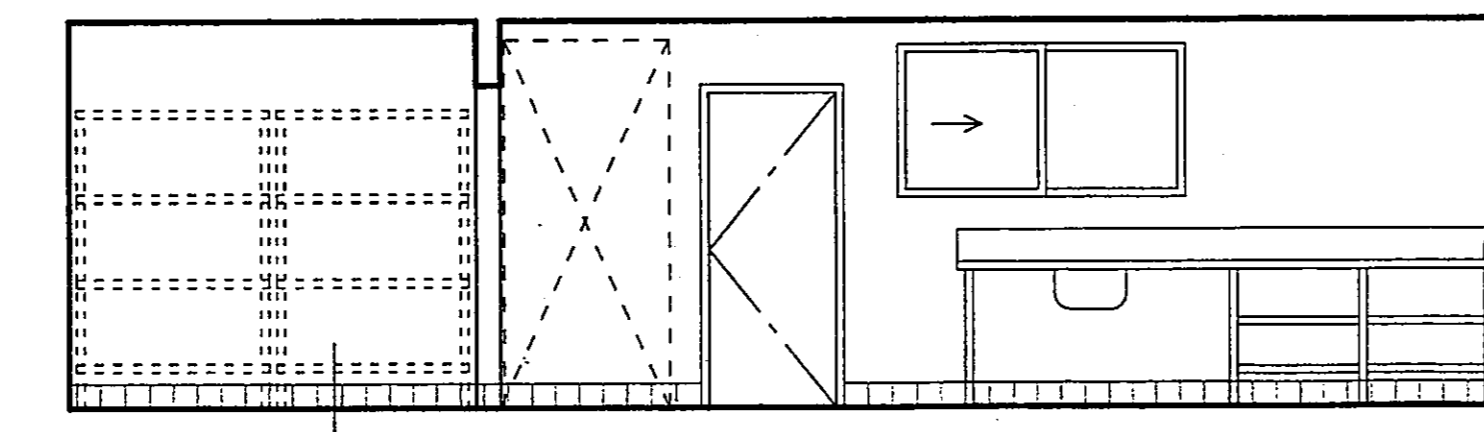
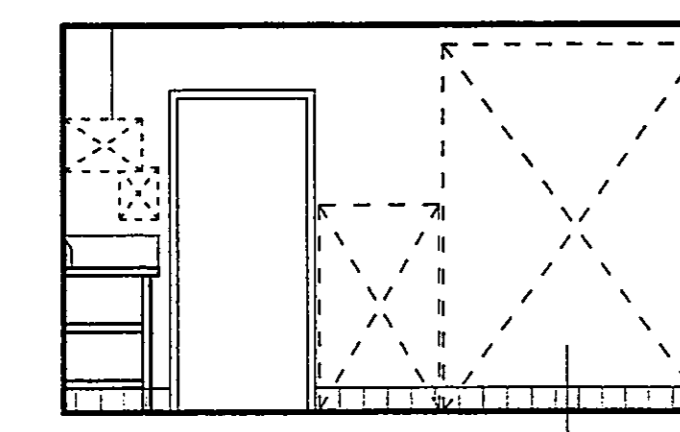
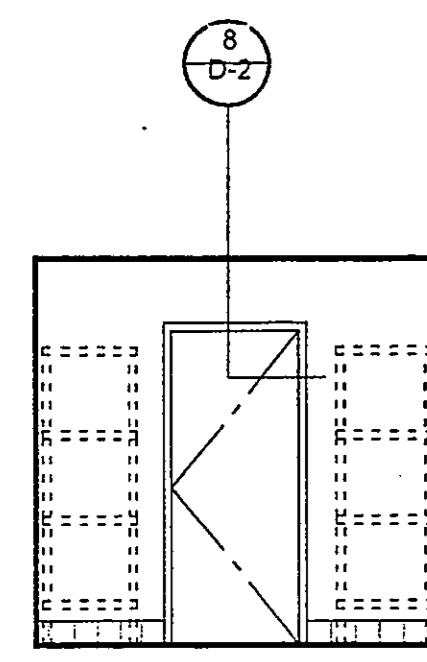
1. test dimension
2. wall
3. doors/windows
4. reflect
5. hatching
6. base
7. detail grid
8. paper edges



1

2

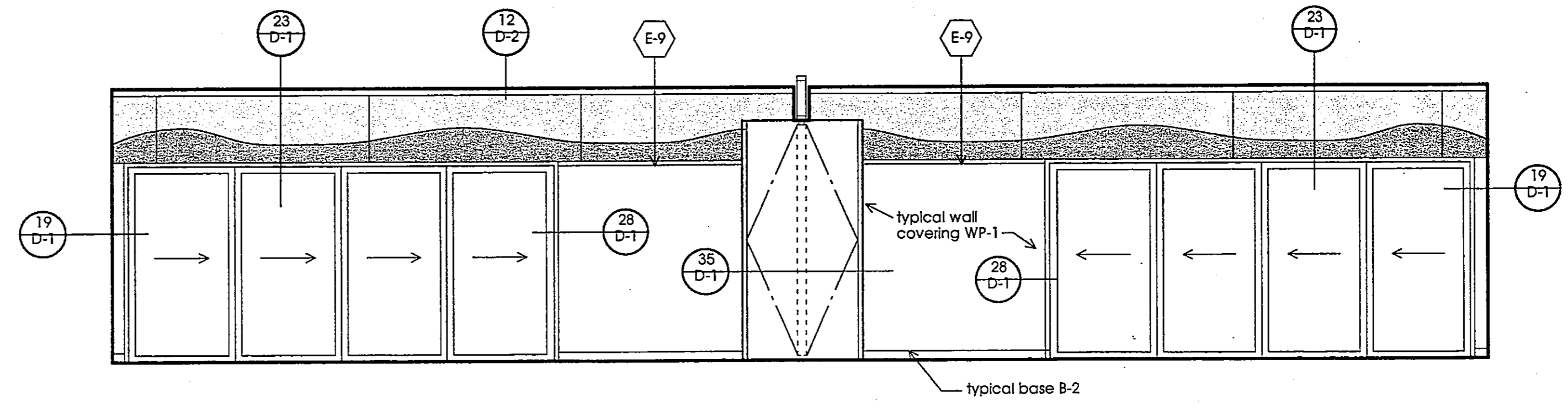
3



1

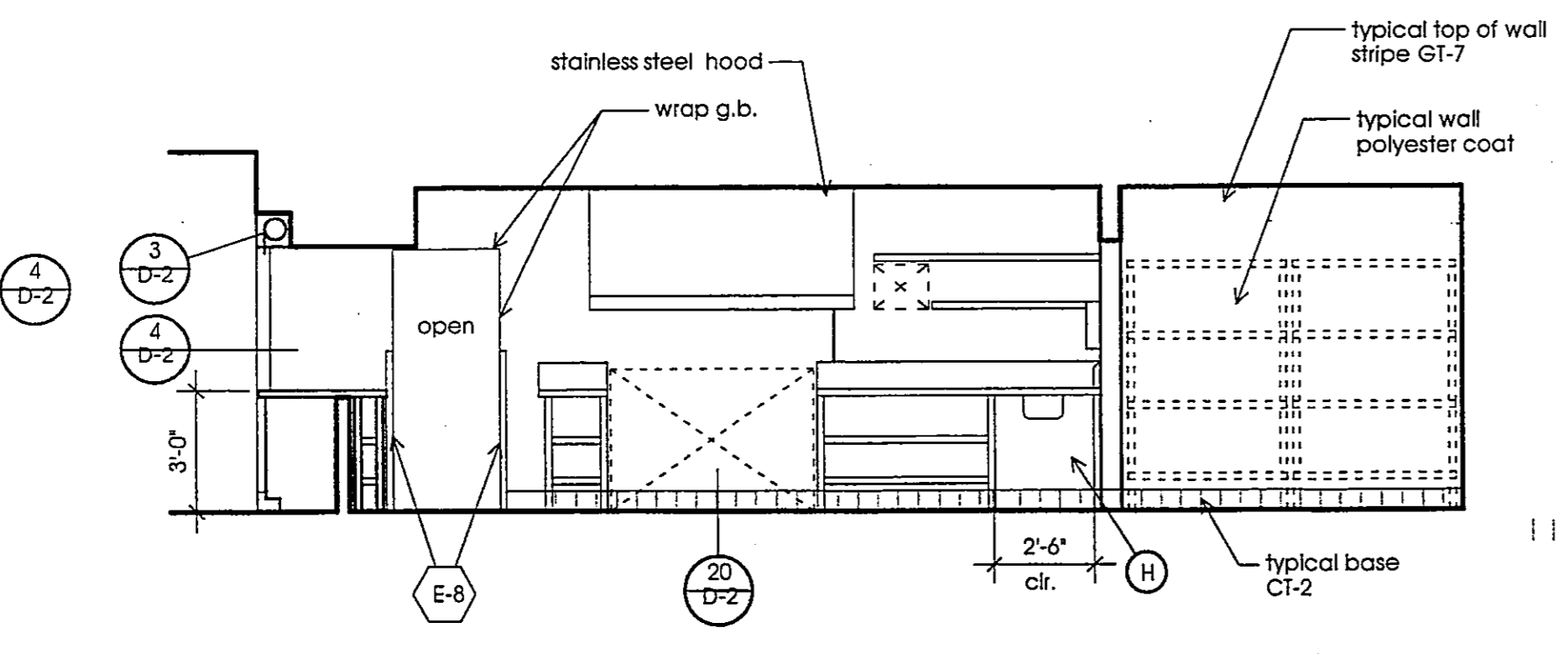
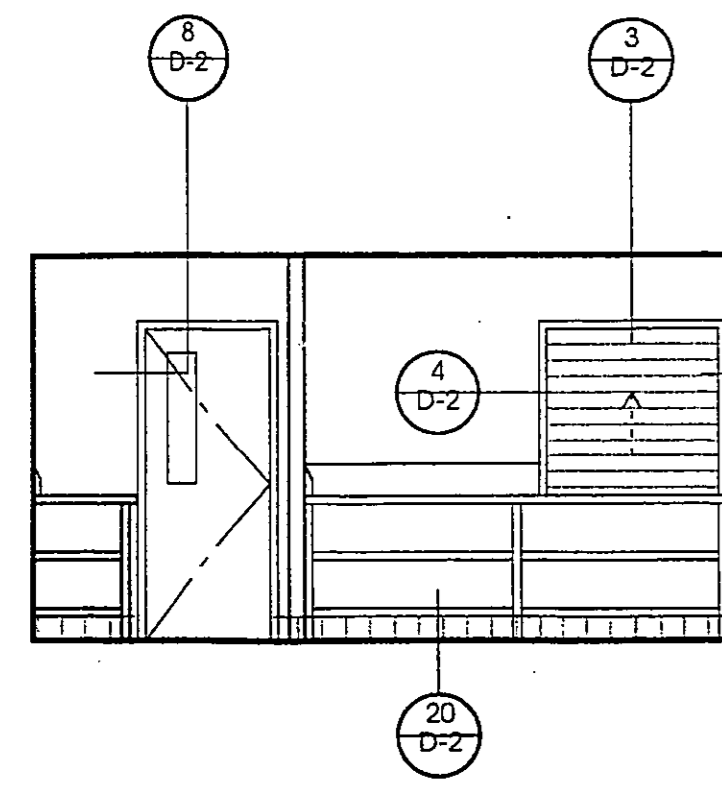
2

3



4

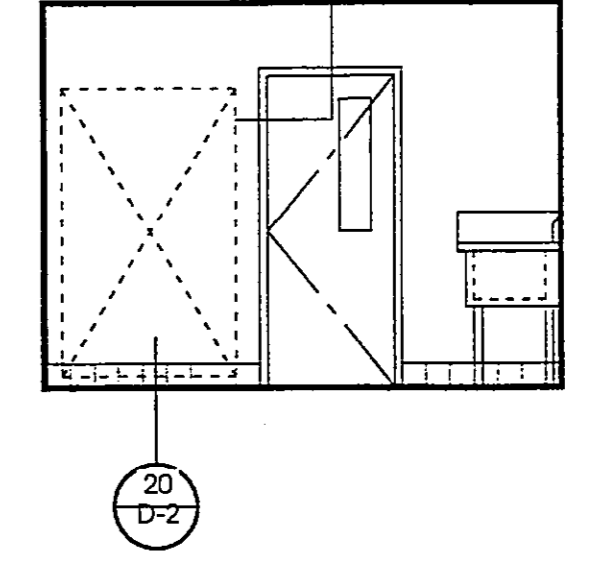
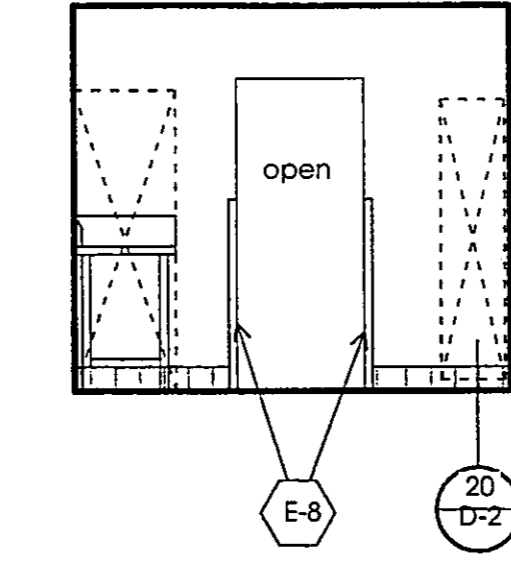
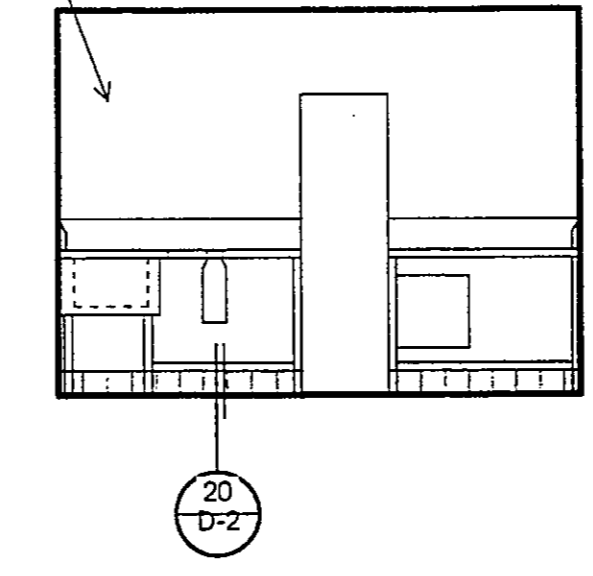
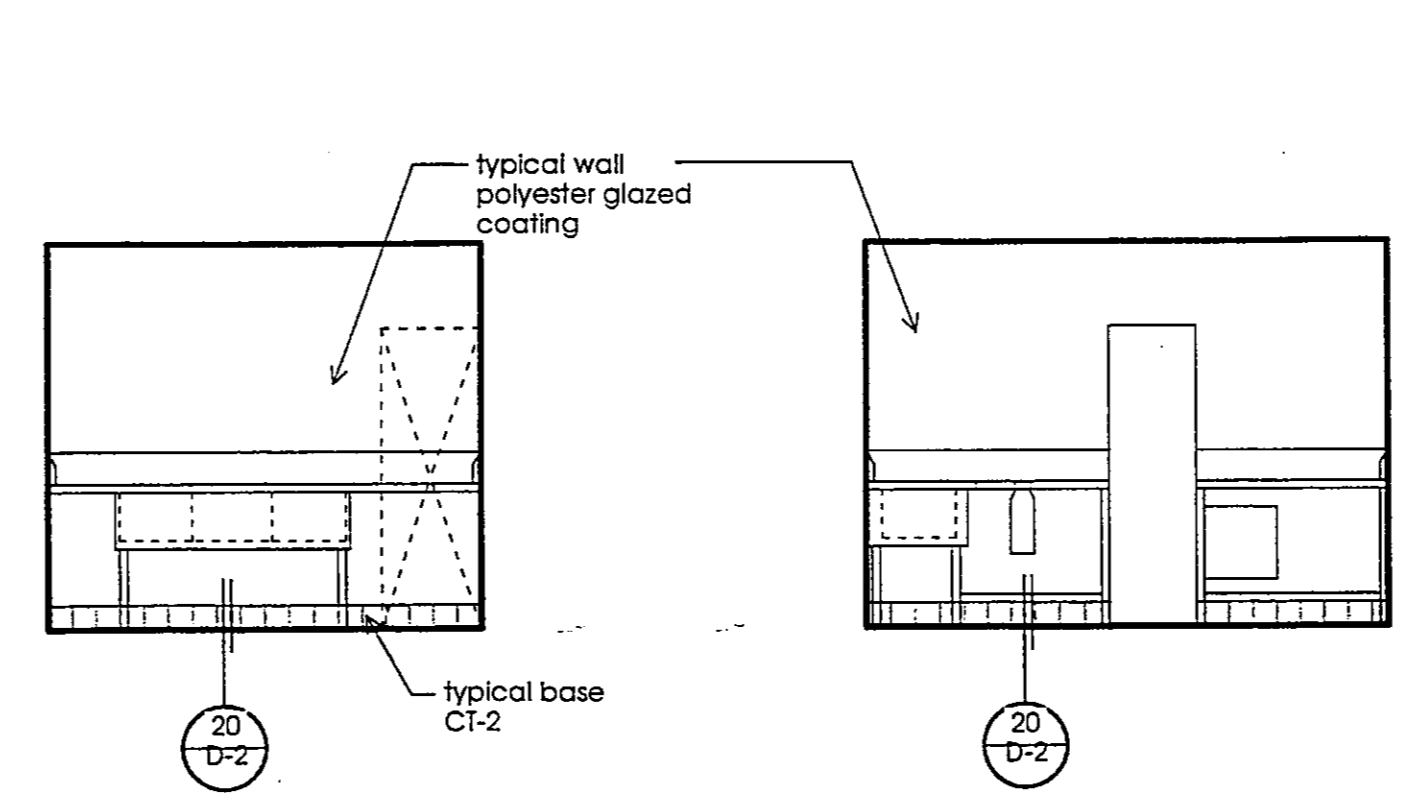
MULTIPURPOSE ROOM 100 Scale: 1/4" = 1'-0" A



4

5

KITCHEN 102 / STORAGE 103 Scale: 1/4" = 1'-0" B



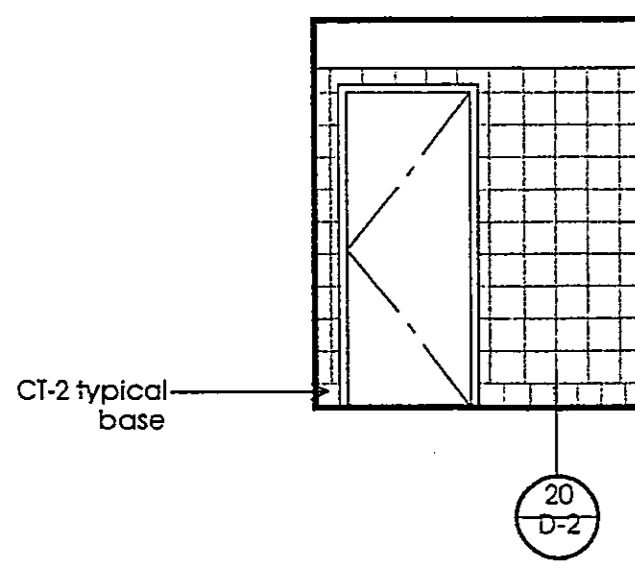
1

2

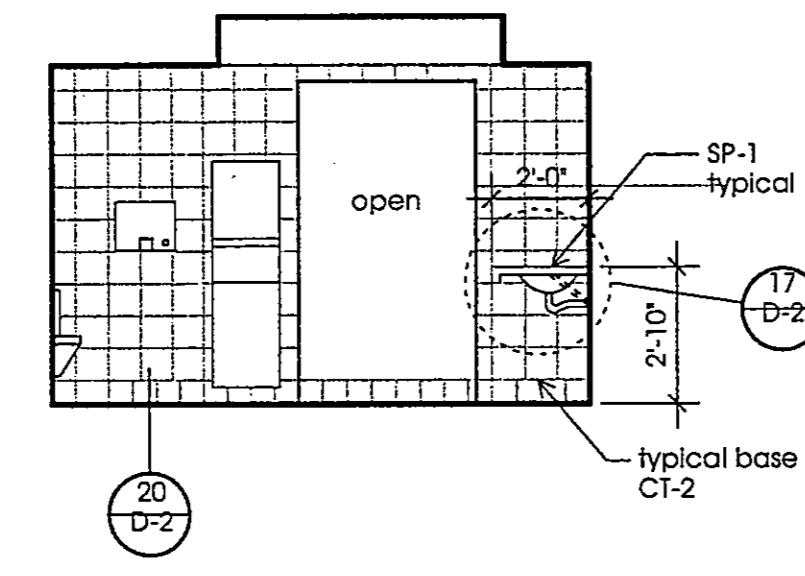
3

4

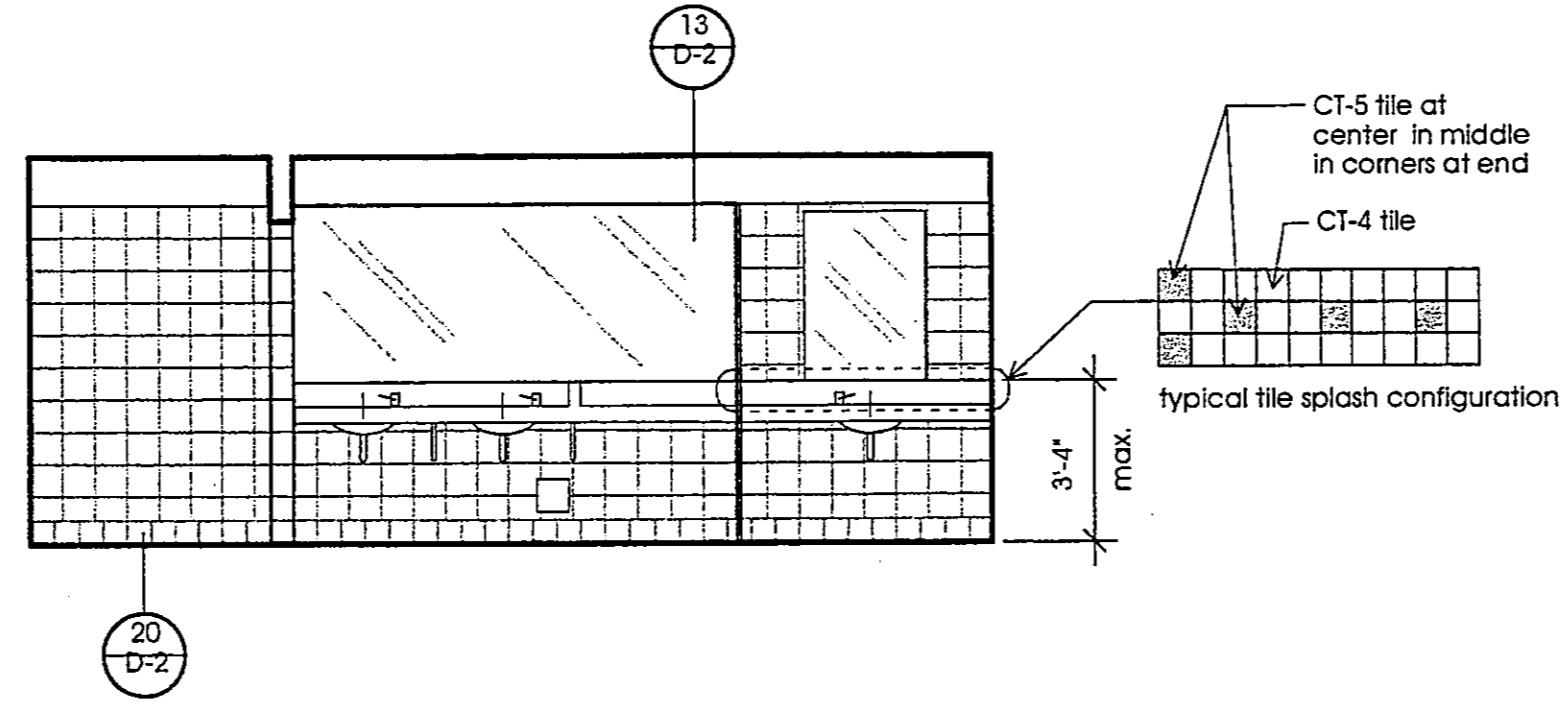
DISHWASHING 102A Scale: 1/4" = 1'-0" C



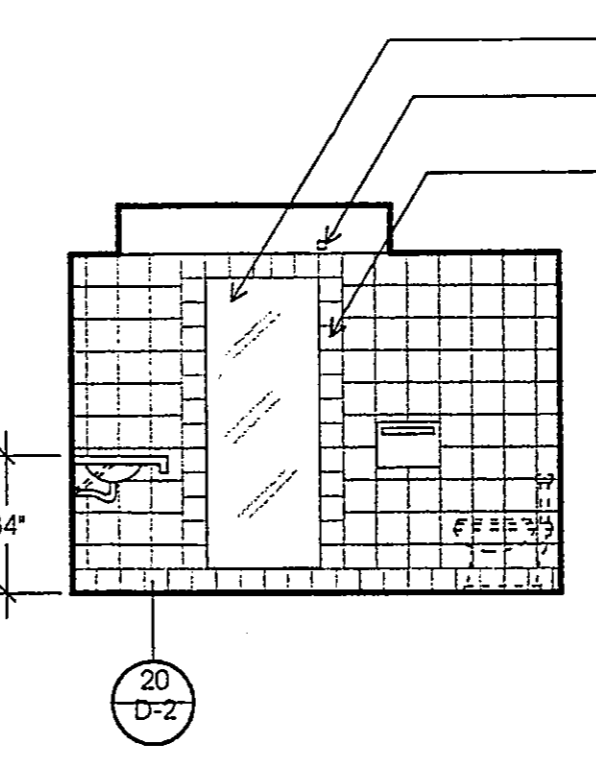
1



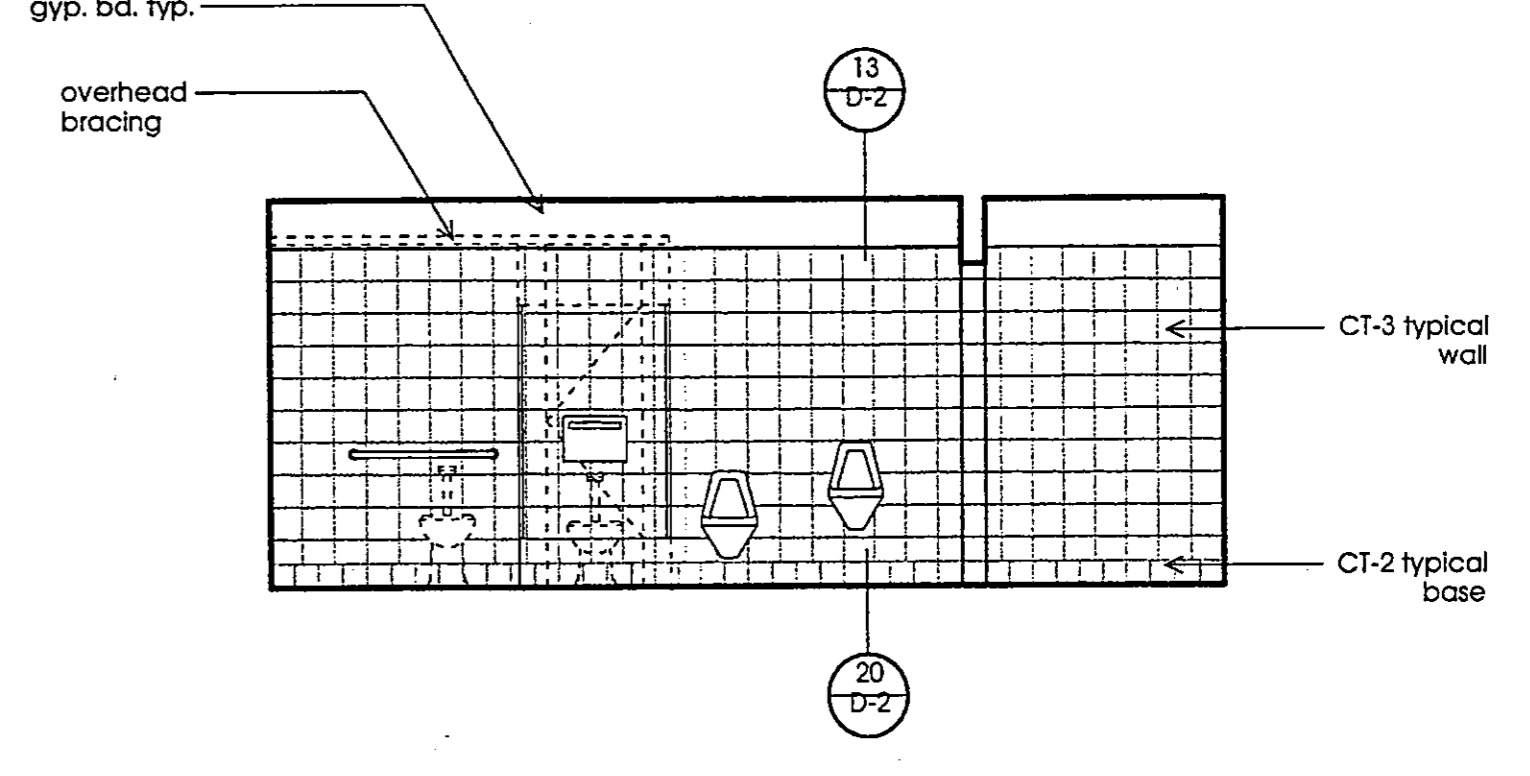
2



3

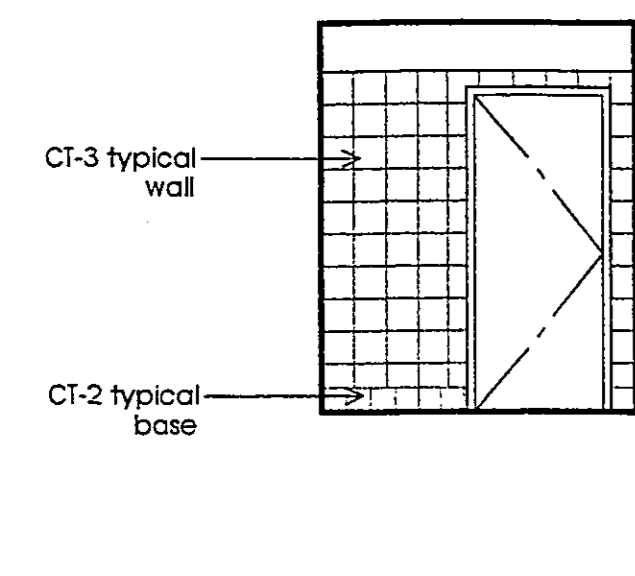


4

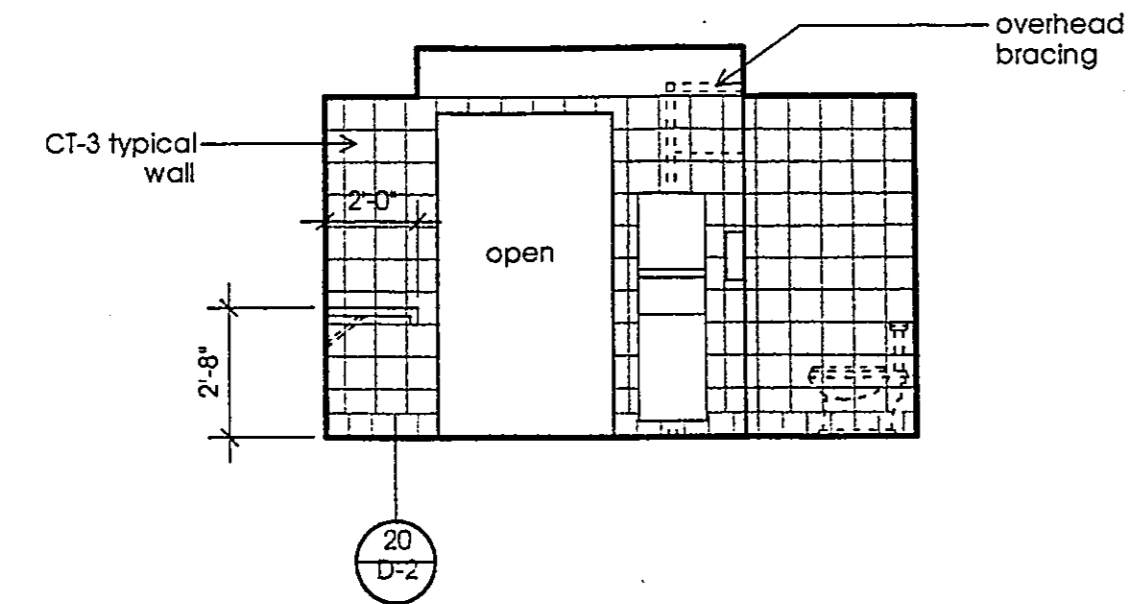


5

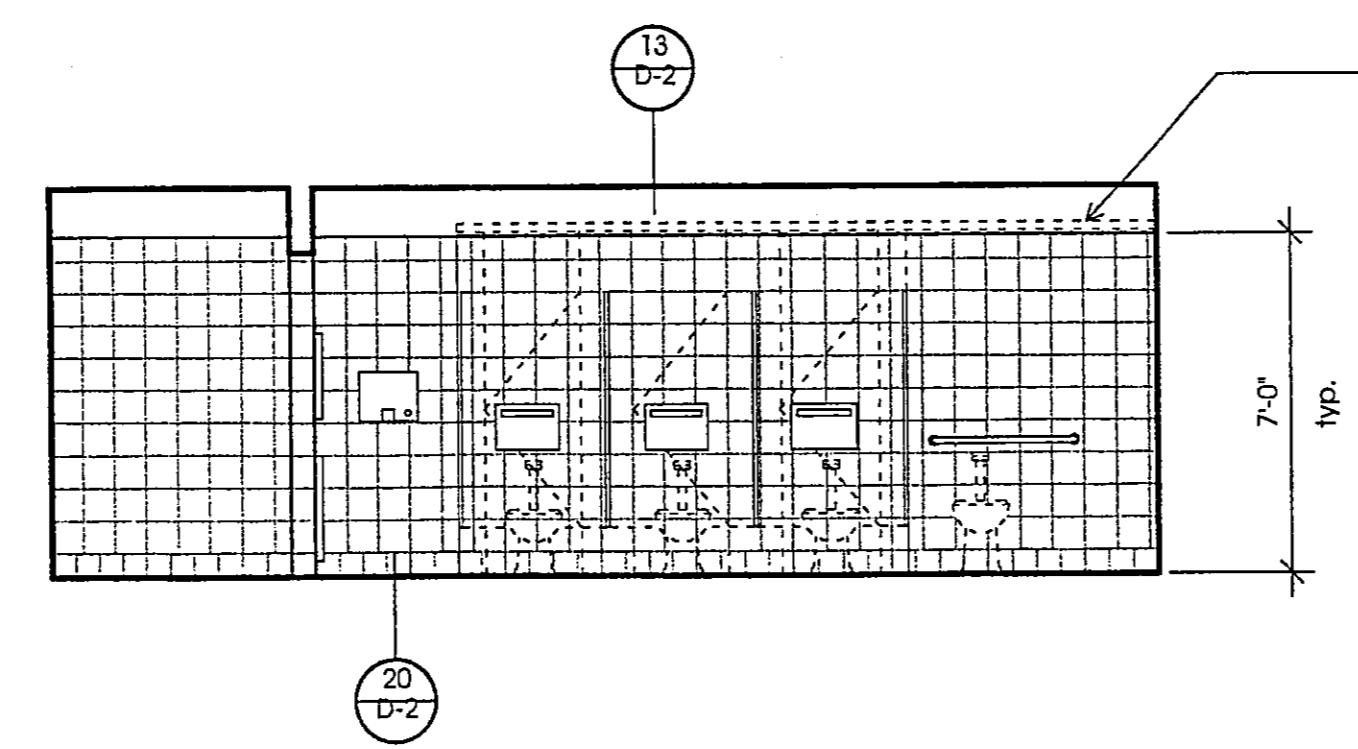
MEN'S RESTROOM 105 Scale: 1/4" = 1'-0" D



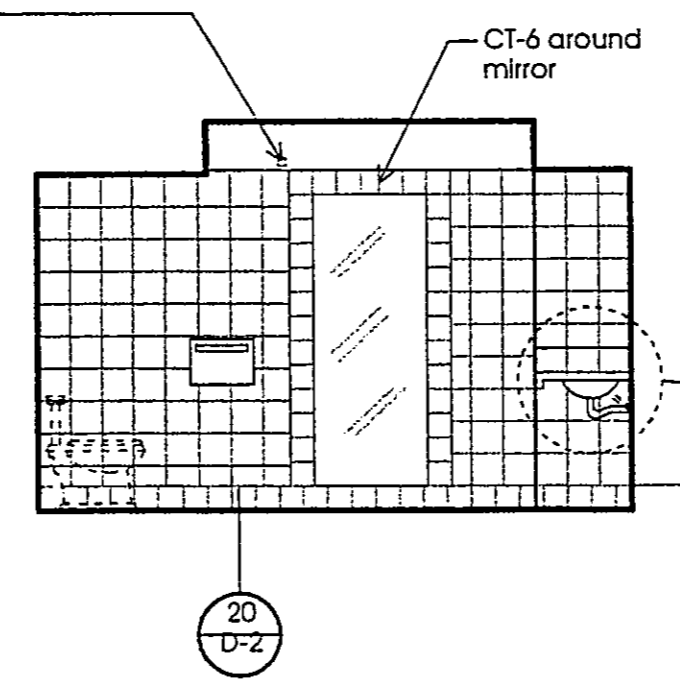
1



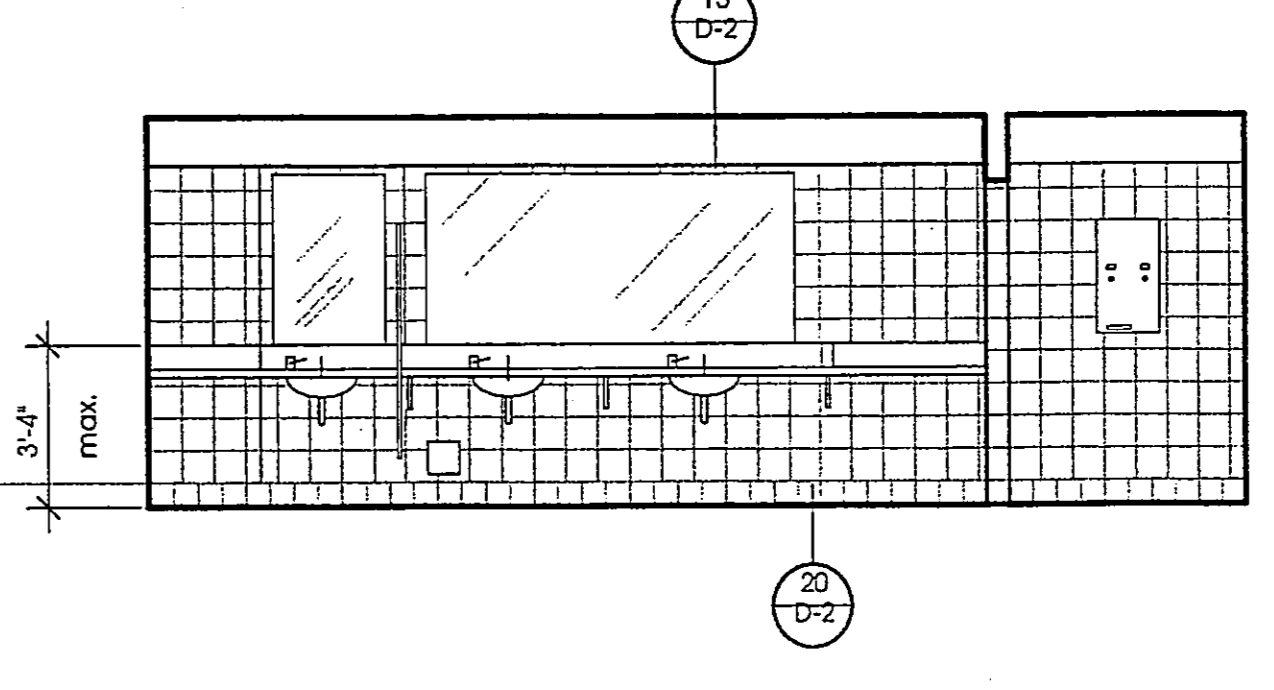
2



3



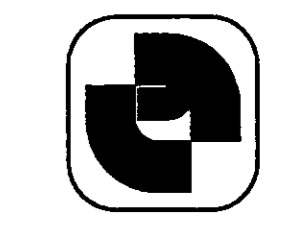
4



5

WOMEN'S RESTROOM 106 Scale: 1/4" = 1'-0" E

RON YEO, FAIA ARCHITECT, INC.
500 JASMINE AVENUE, CORONA DEL MAR
CALIFORNIA 92625 P-949-644-8111 F-949-644-0449
PATRICK MARR, AIA, PE, ASSOCIATE ARCHITECT



POINT VICENTE INTERPRETIVE
CENTER EXPANSION
BY
Ron Yeo, FAIA, Architect
3150 Via Vista Verde, West
Rancho Palms Verde, CA

Interior
Elevations

DRAWN
PM/MG
CHECKED
RY
DATE
2/1/99
SCALE
(as noted)
JOB NO.
95-103
SHEET

A-8

21 OF 63 SHEETS

DATE PLOTTED: 08/11/03
DWG: 95-103-INT-01
CONSTRUCTION SET
DEC. 2003

12/23/03

THESE DRAWINGS DO NOT CONTAIN THE NECESSARY COMPONENTS FOR CONSTRUCTION SAFETY.