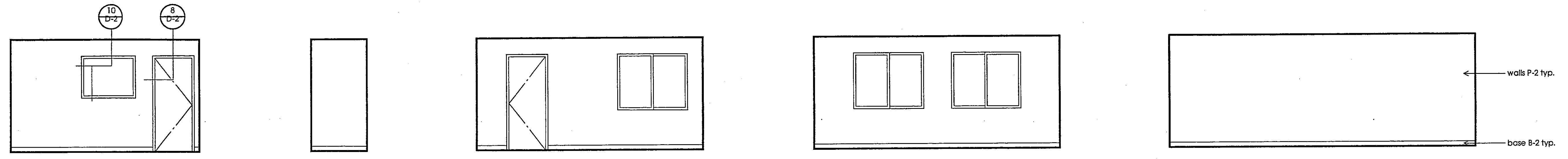
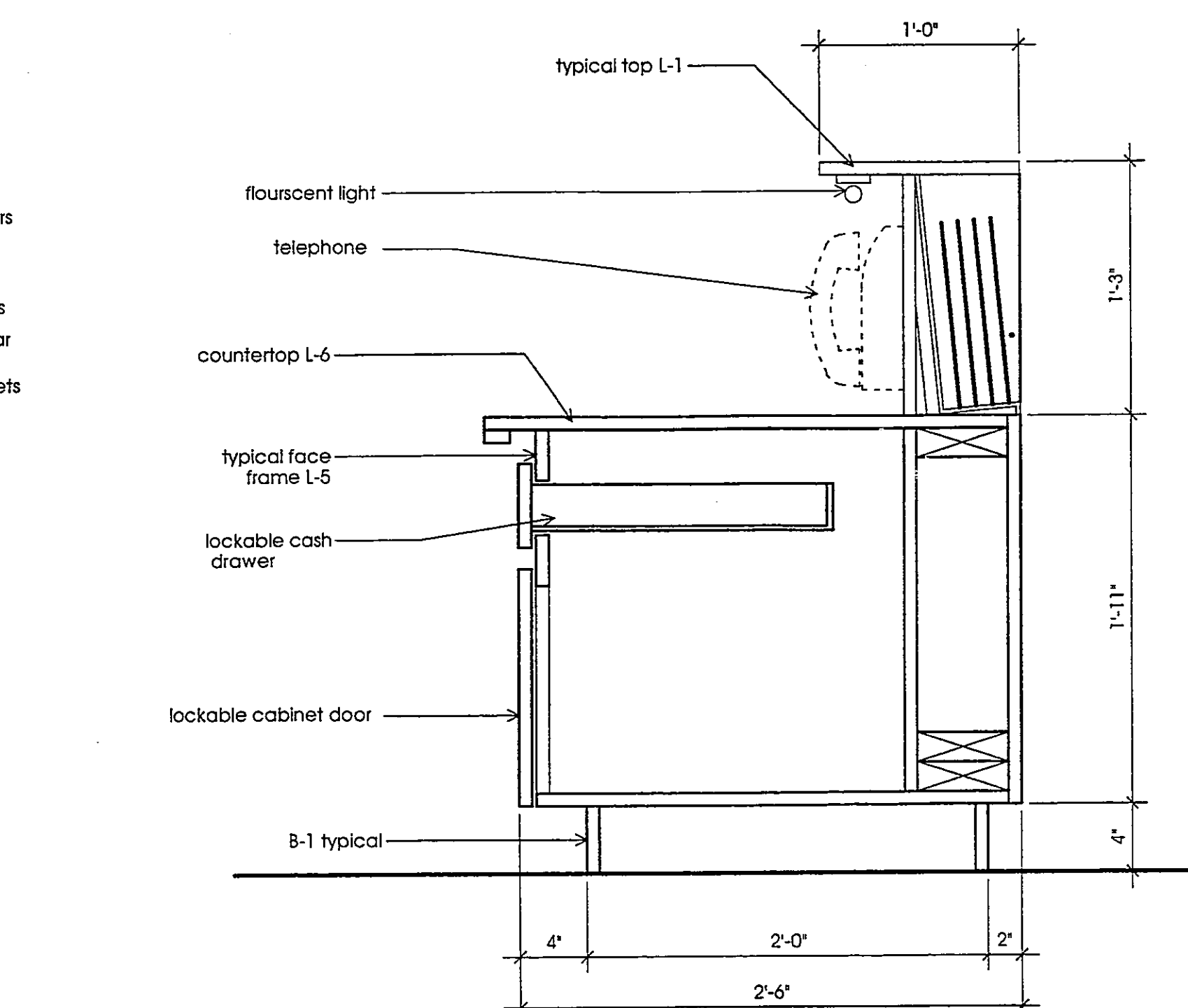
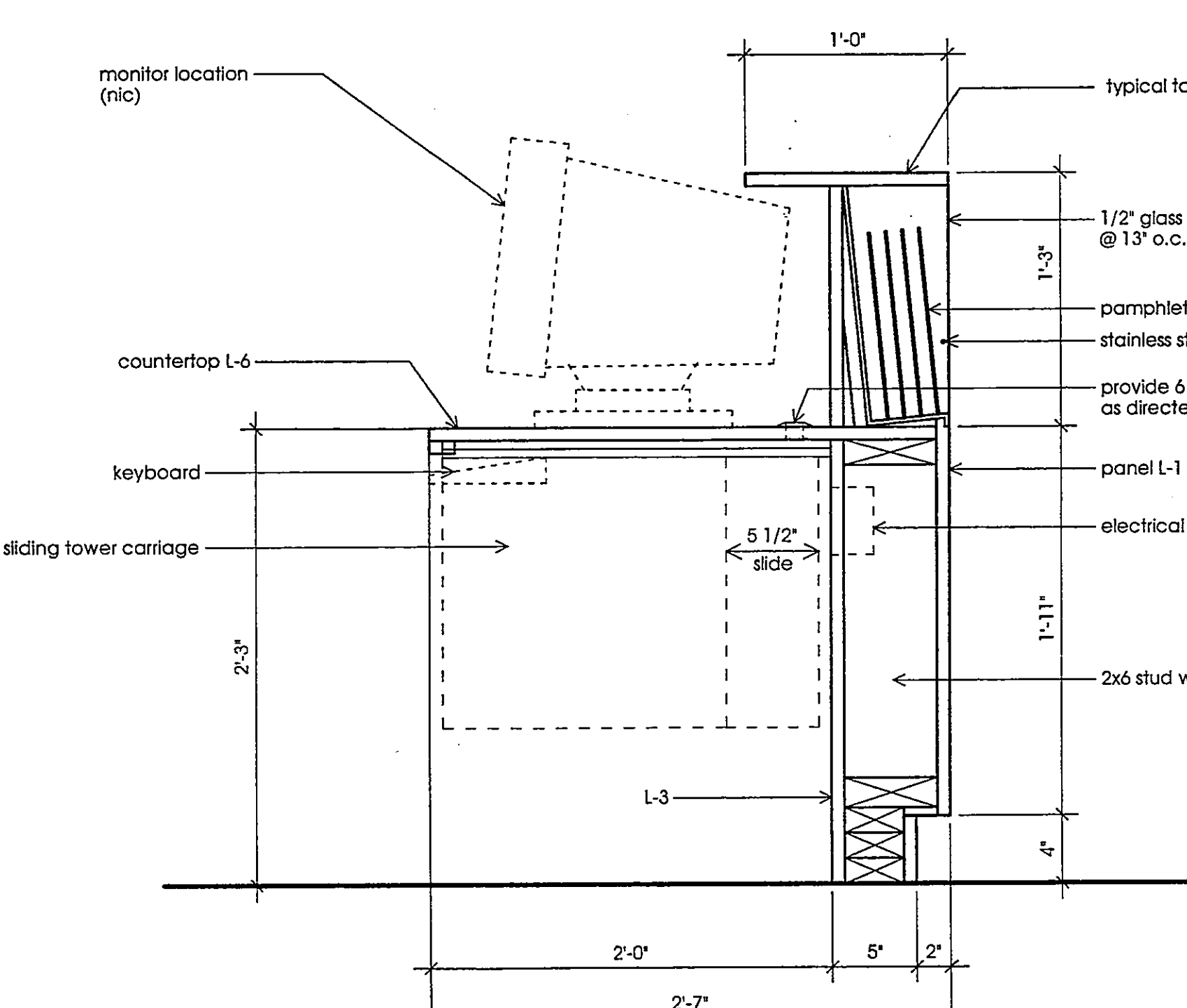
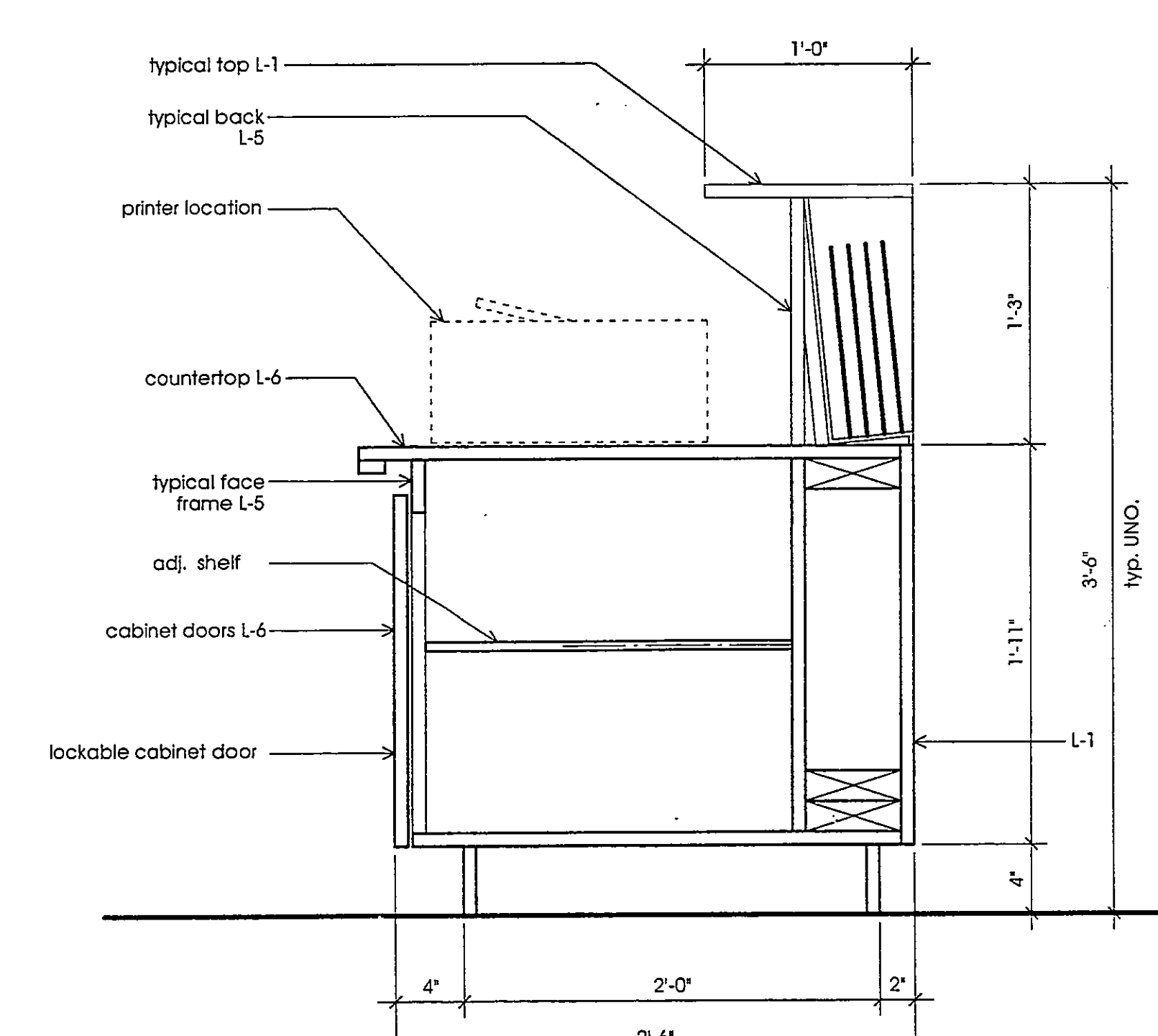
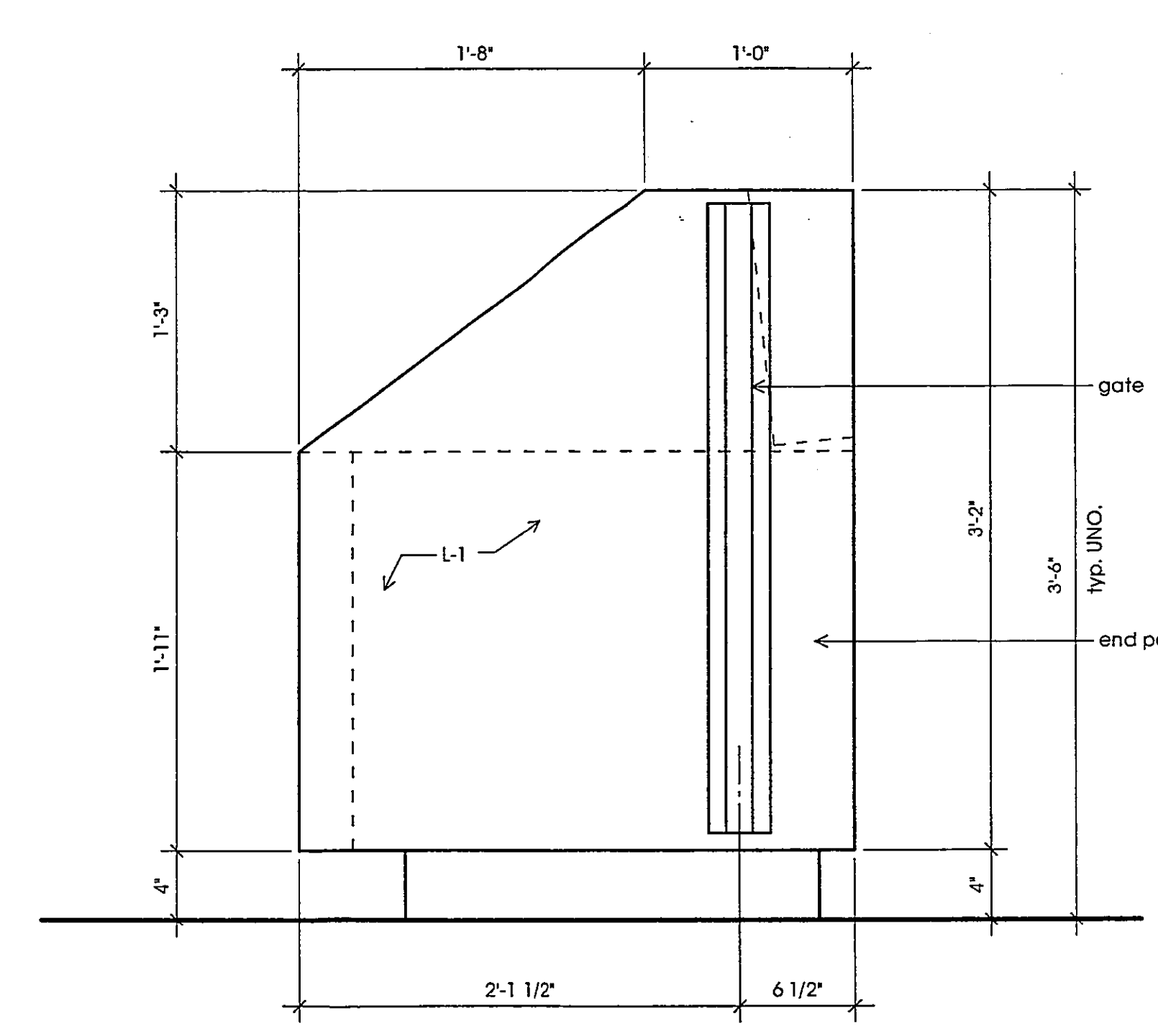


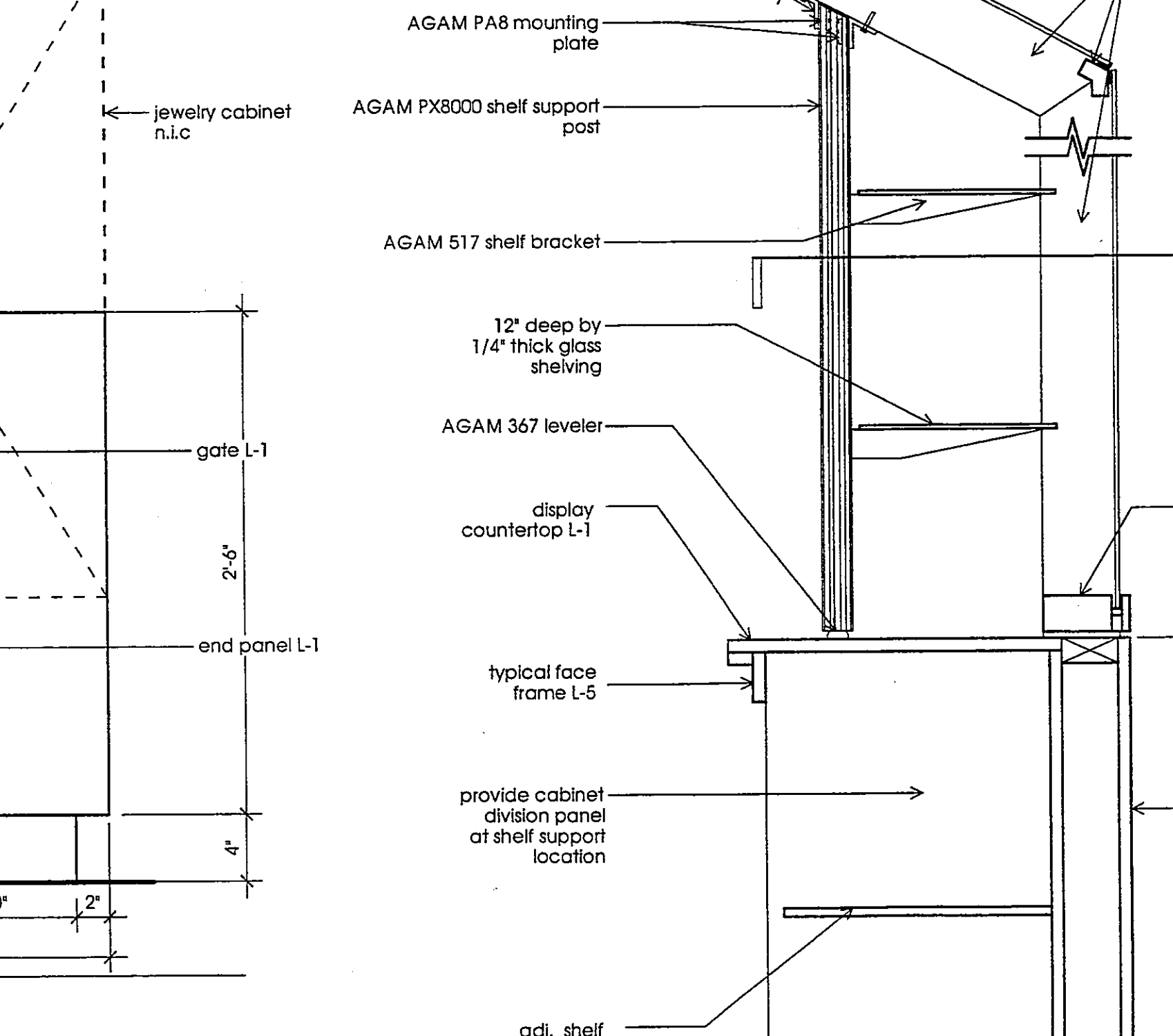
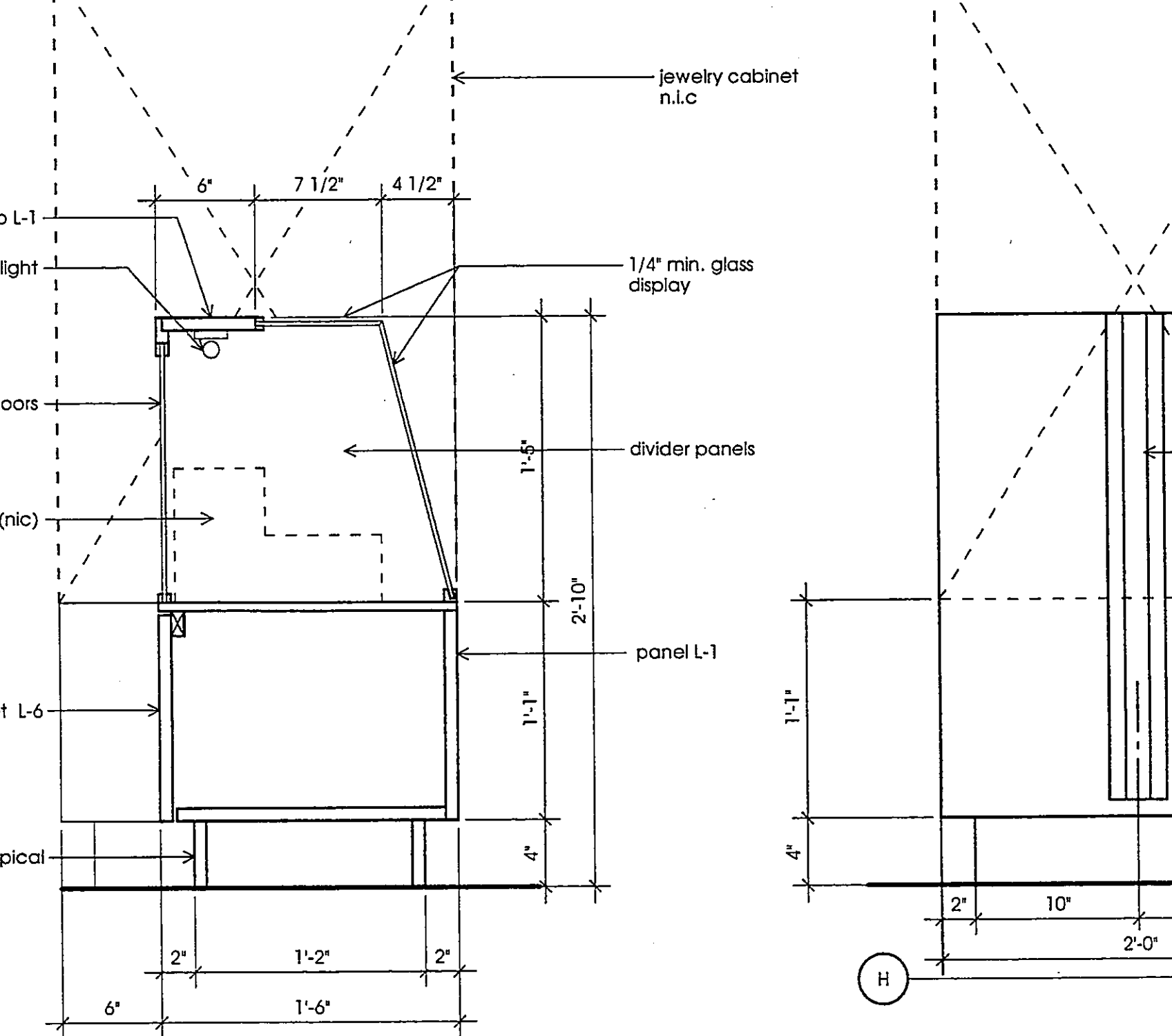
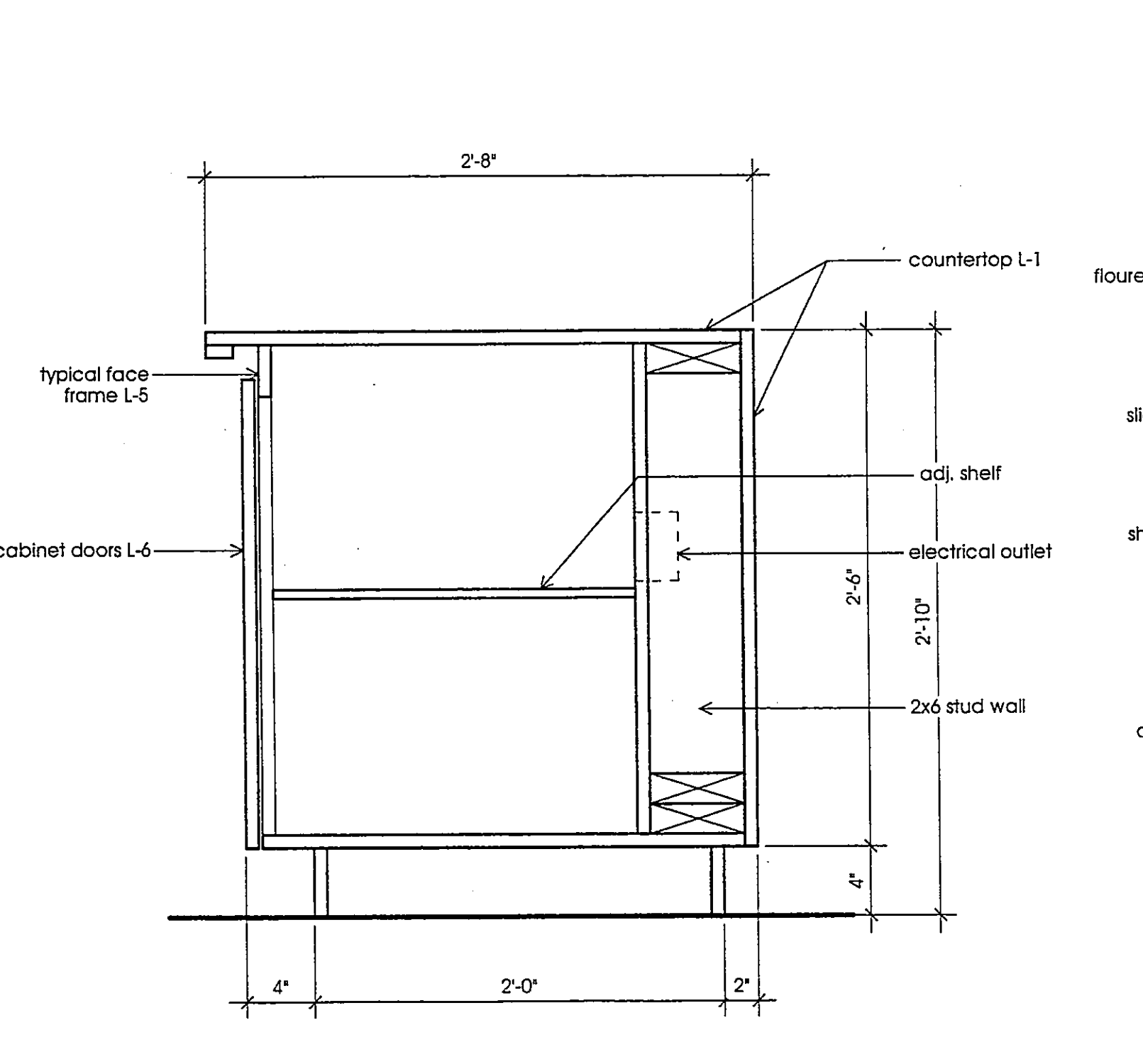
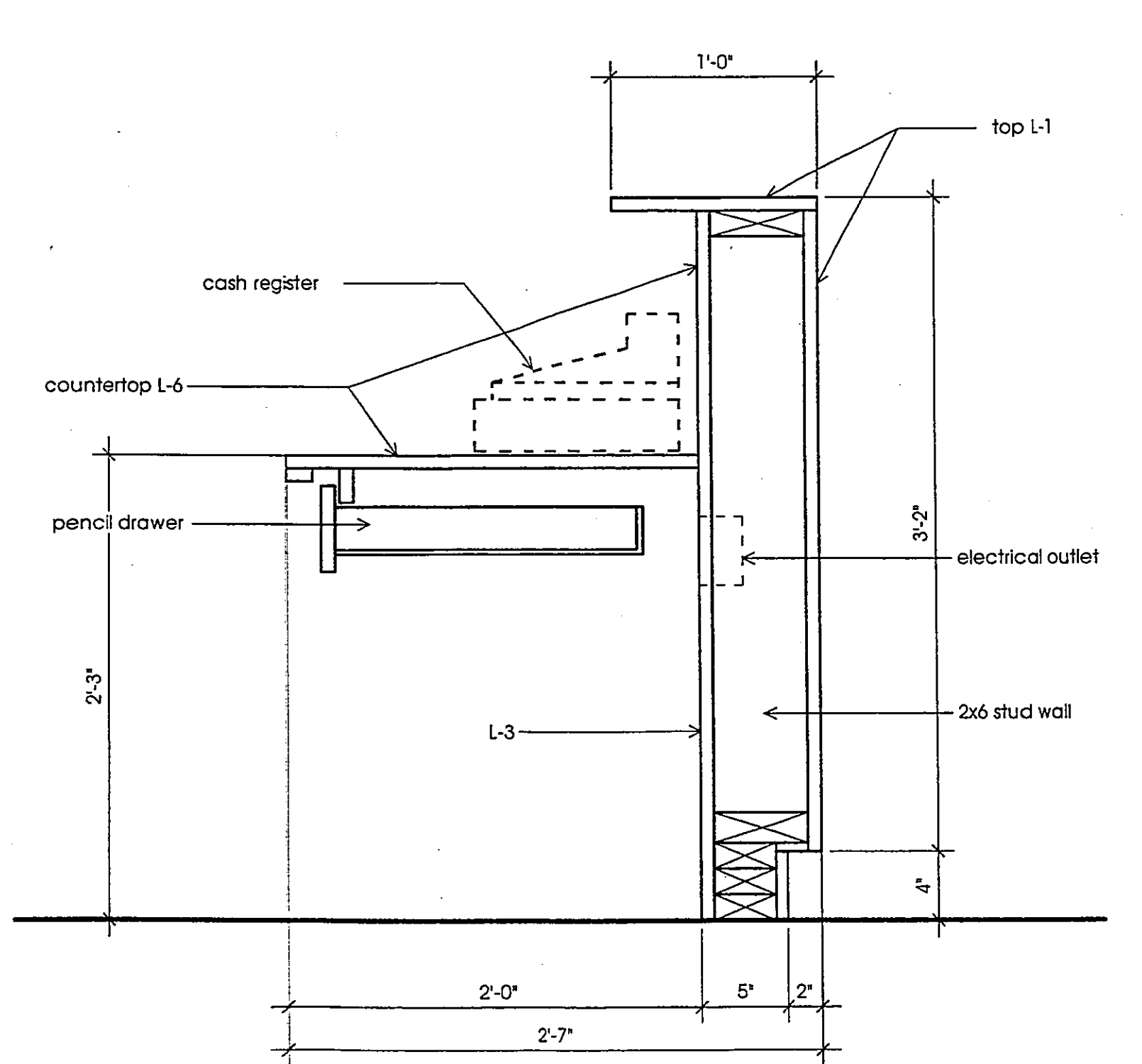
- 1. wall
- 2. dimension
- 3. wall
- 4. window
- 5. cabinet
- 6. cabinet
- 7. cabinet
- 8. cabinet
- 9. cabinet
- 10. cabinet



OFFICE 119 Scale: 1/4" = 1'-0" **A** DETAIL TITLE Scale: 1 1/2" = 1'-0" **7**



CABINET SECTIONS

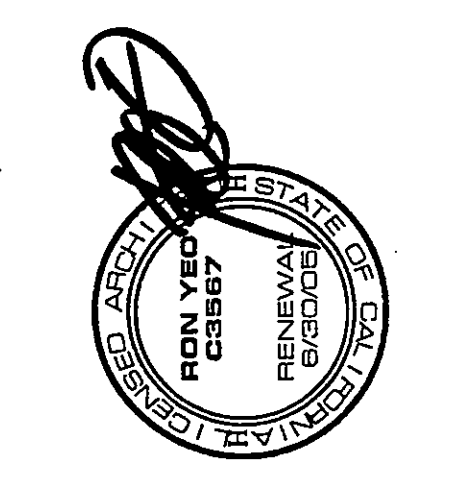


Note:
shelf support system is by
AGAM (800.645.0854), additional
parts may be needed in addition
to those shown, provide shop
drawing and submit for
review prior to construction

CABINET SECTIONS

Scale: 1 1/2" = 1'-0"

RON YEO, FAIA ARCHITECT INC.
500 LASHMINE AVENUE, CORONA DEL MAR
CALIFORNIA 92625 P: 949-444-8111 F: 949-644-0449
PATRICK MARR, AIA, PE, ASSOCIATE ARCHITECT



12/23/03 update revisions

POINT VICENTE INTERPRETIVE
CENTER EXPANSION
31501 Palms Verdes Drive West
Rancho Palms Verdes, CA

Interior/
Elevations/
Cabinet
Sections

DRAWN	PM/MS
CHECKED	RY
DATE	2/1/99
SCALE	(as noted)
JOB NO.	95-120
SHEET	A-11

21 of 69 SHEETS

Ron Yeo, Architect Inc. expressly reserves its
 common law copyright for these plans. These
 plans are not to be changed or copied in any
 way without the written consent of the
 architect.
 1/2"
 12/23/03

PLIC EXPANSION Building Plans
 Construction Set
 12/23/03