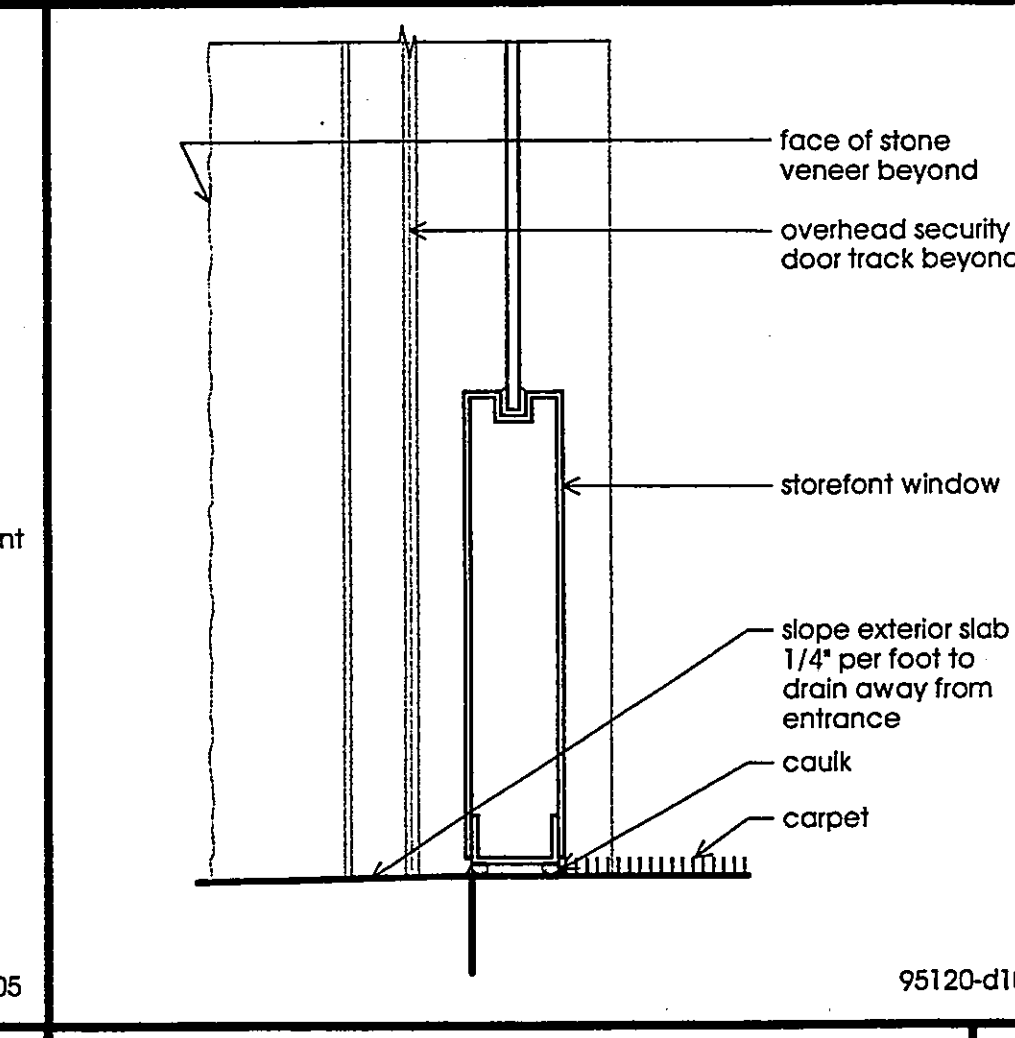
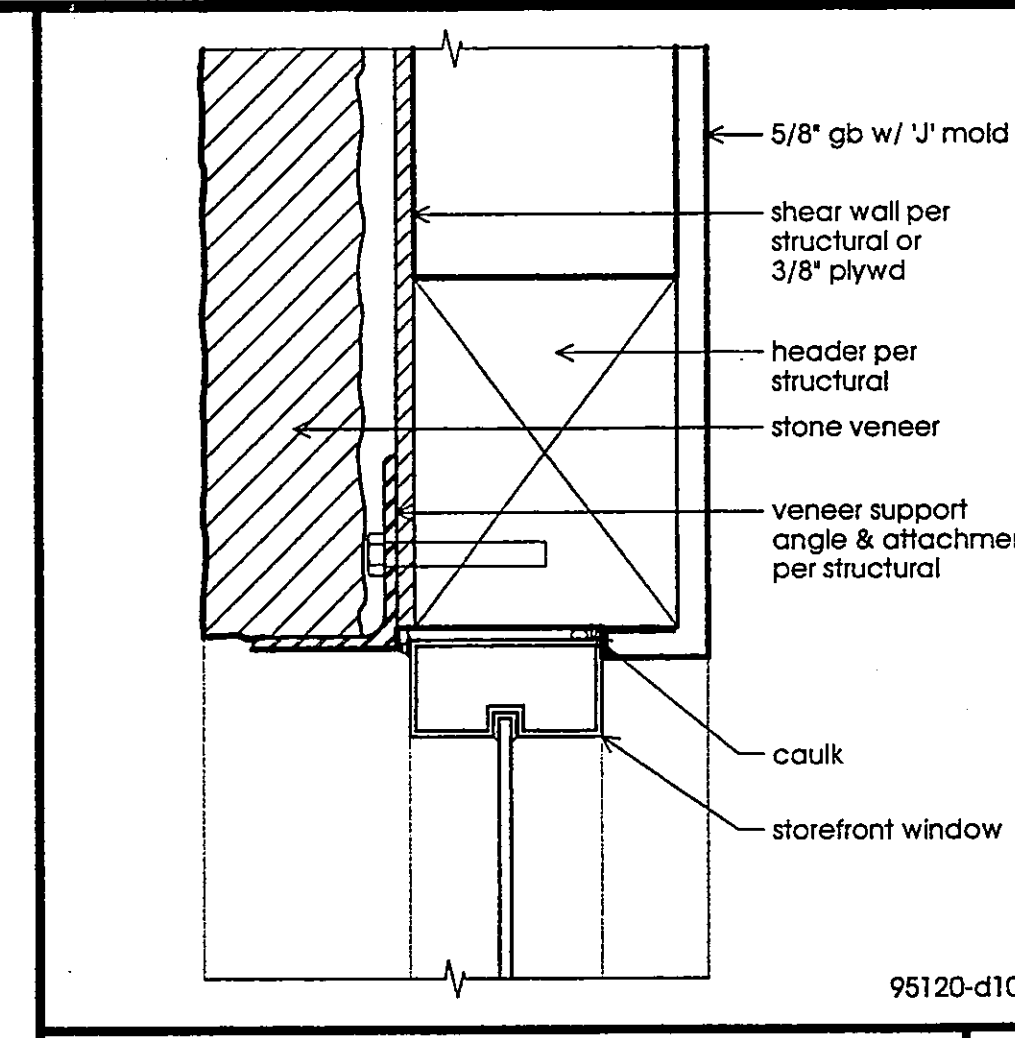
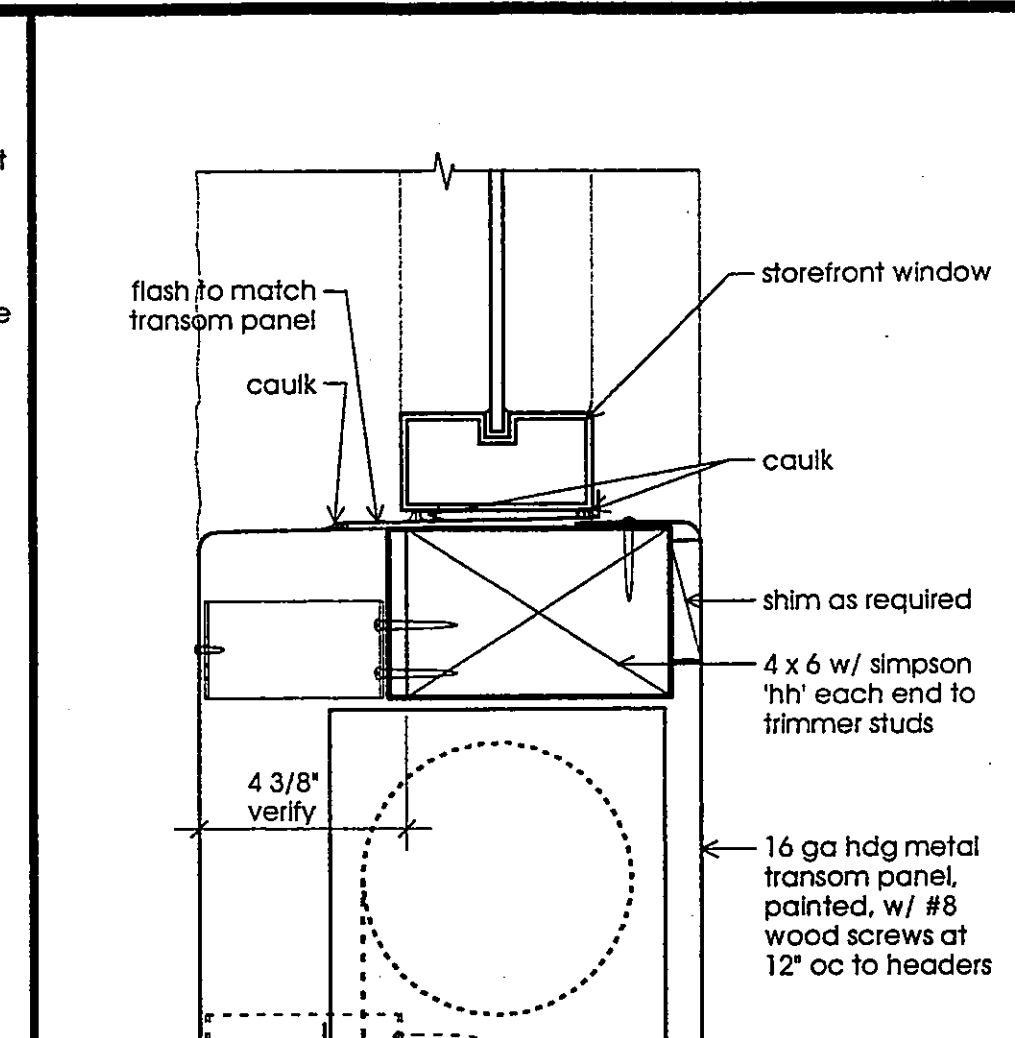
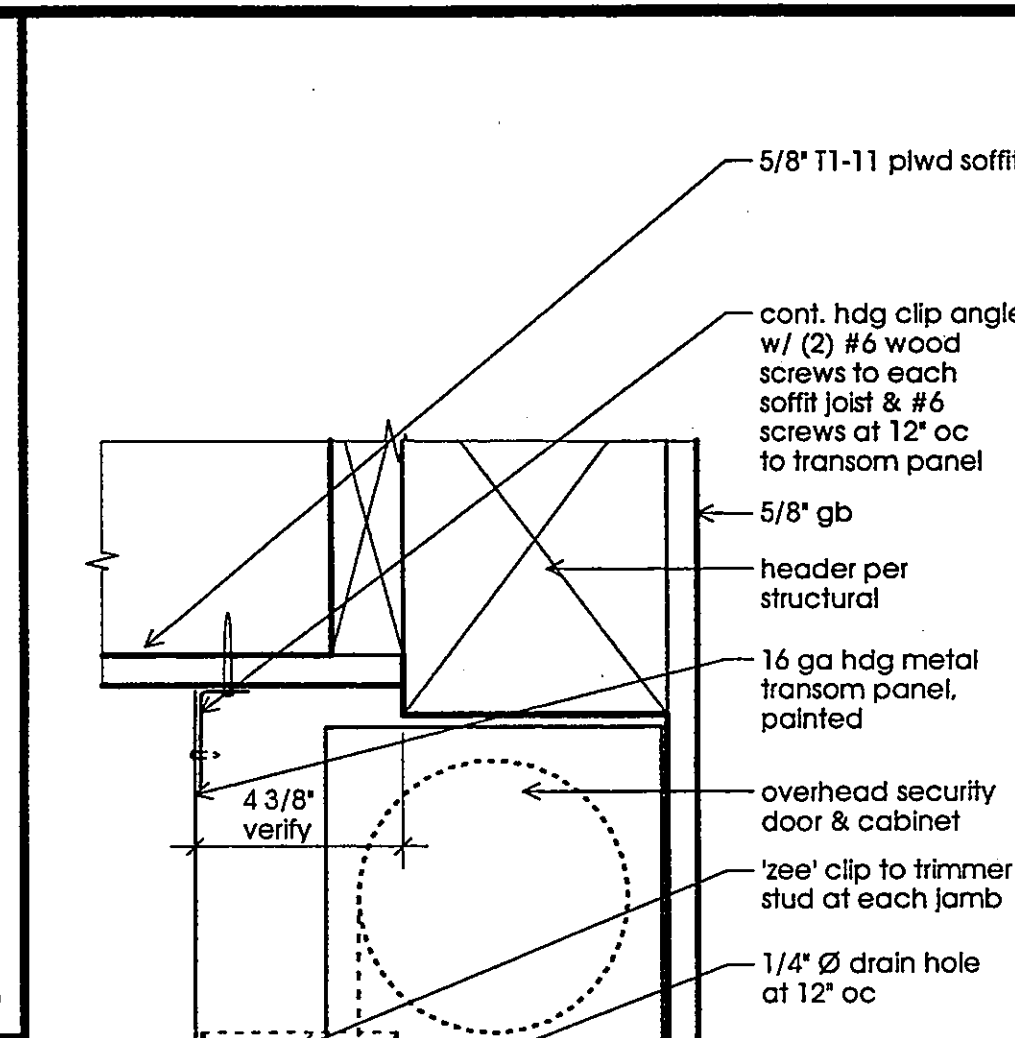
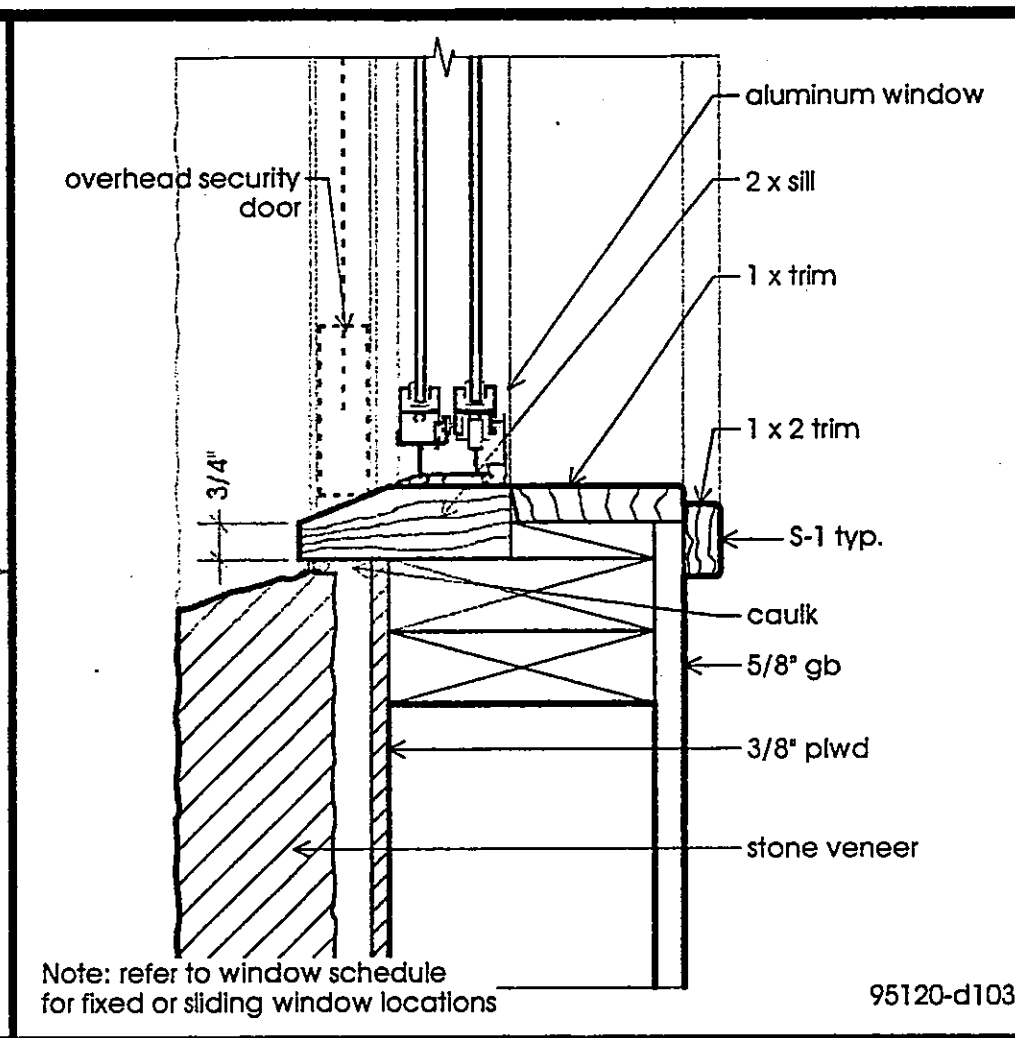
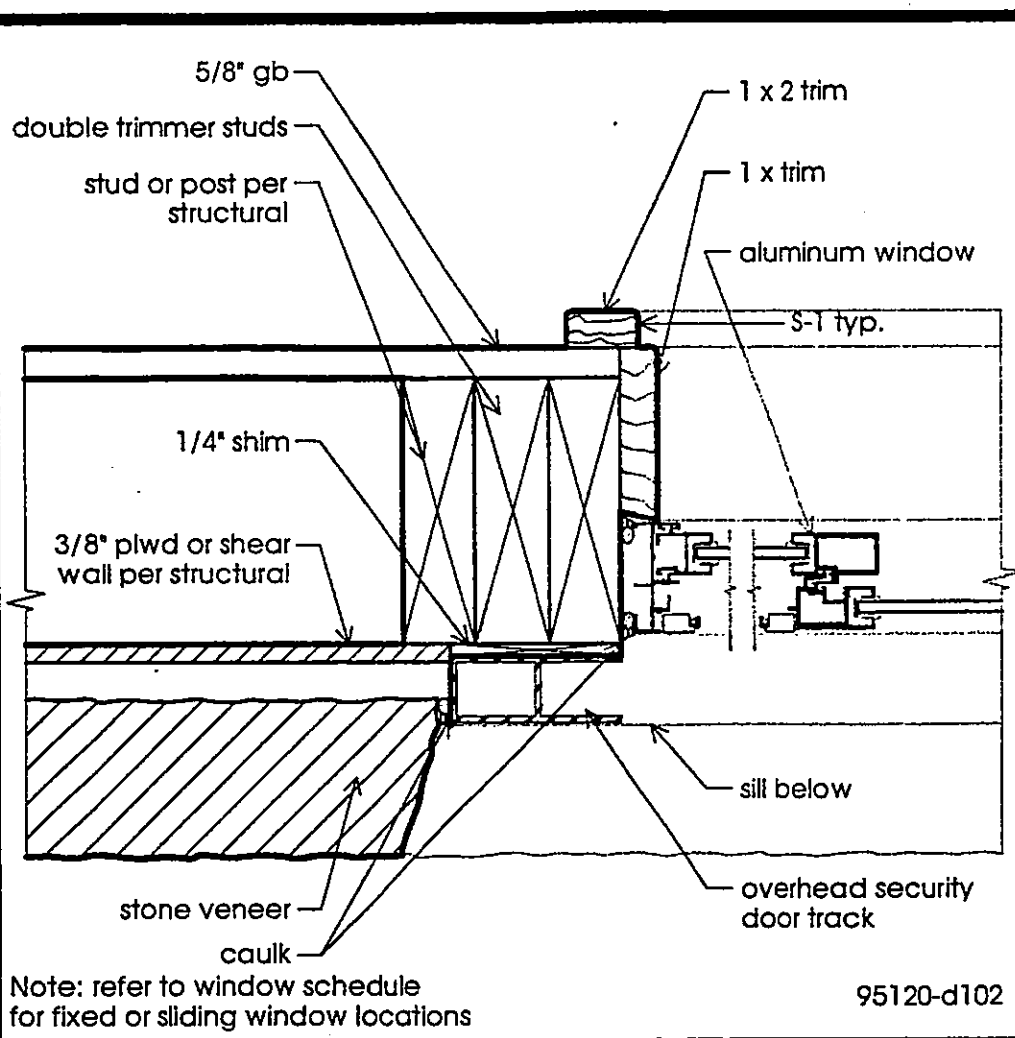
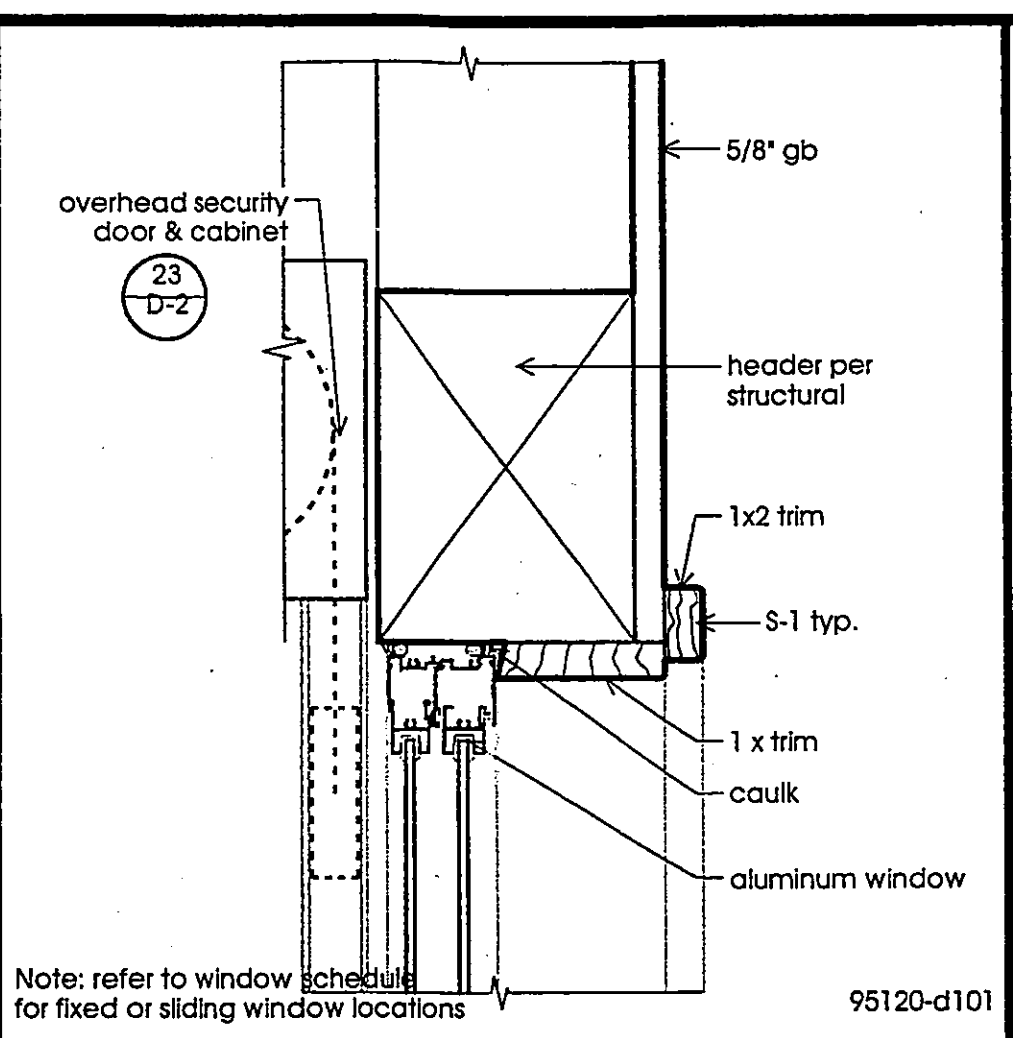


1. list dimension
2. wall
3. door/window
4. trim
5. header
6. post
7. stud
8. sill
9. panel edge
10. scratch



WINDOW HEAD Scale: 3" = 1'-0" **1**

WINDOW JAMB Scale: 3" = 1'-0" **2**

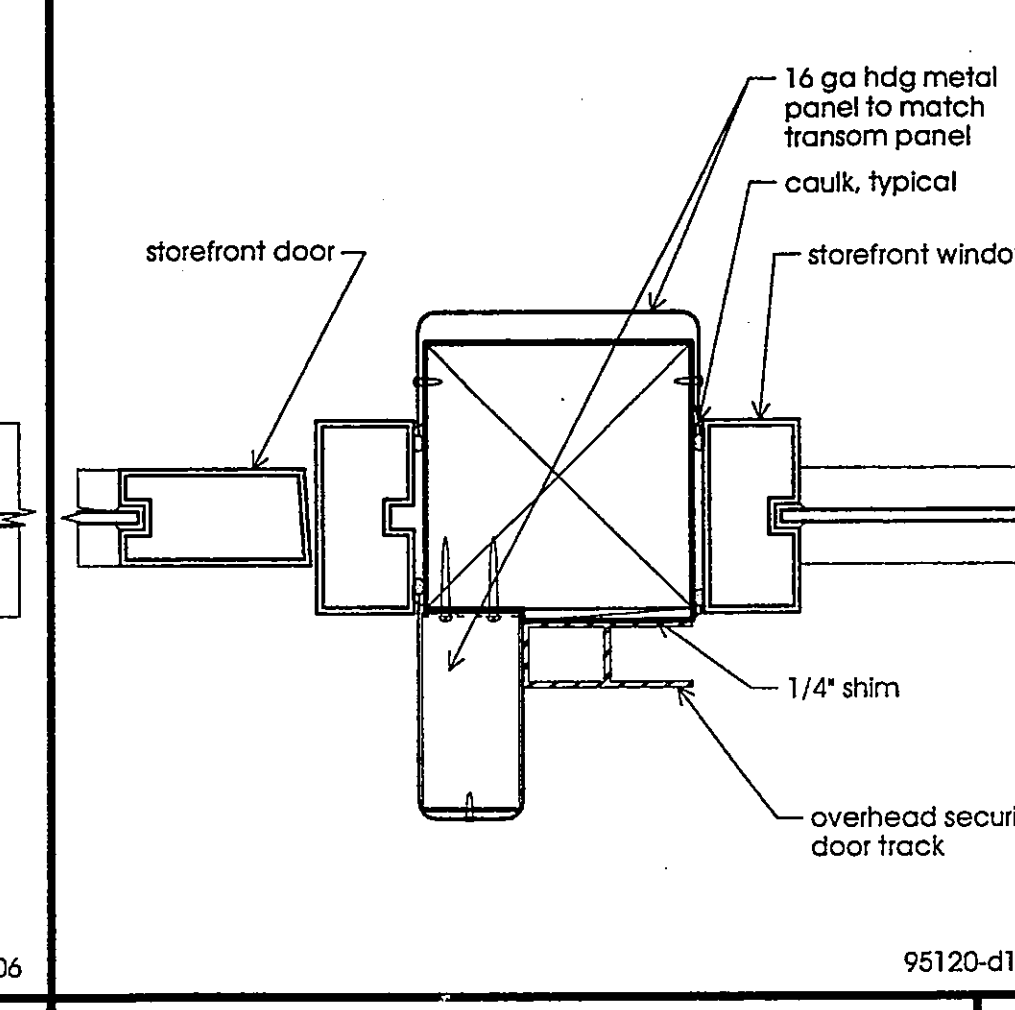
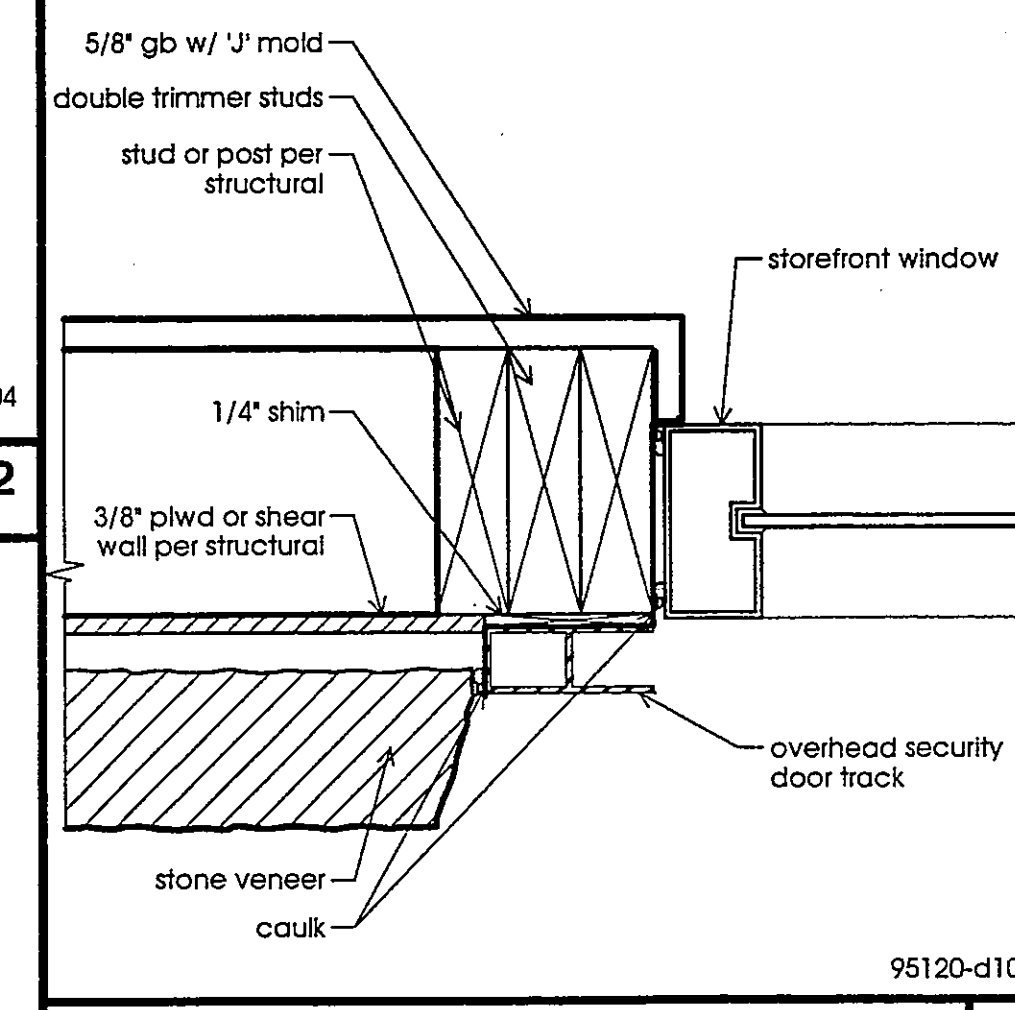
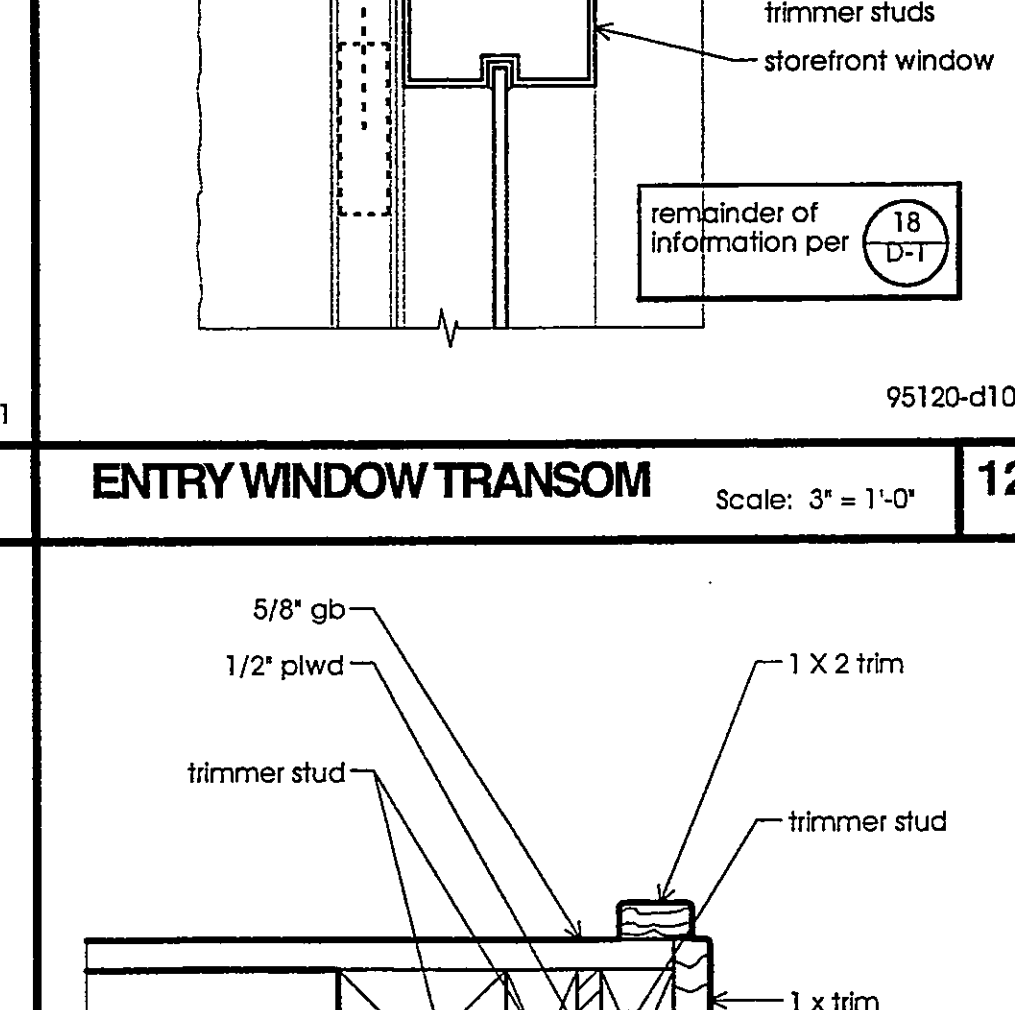
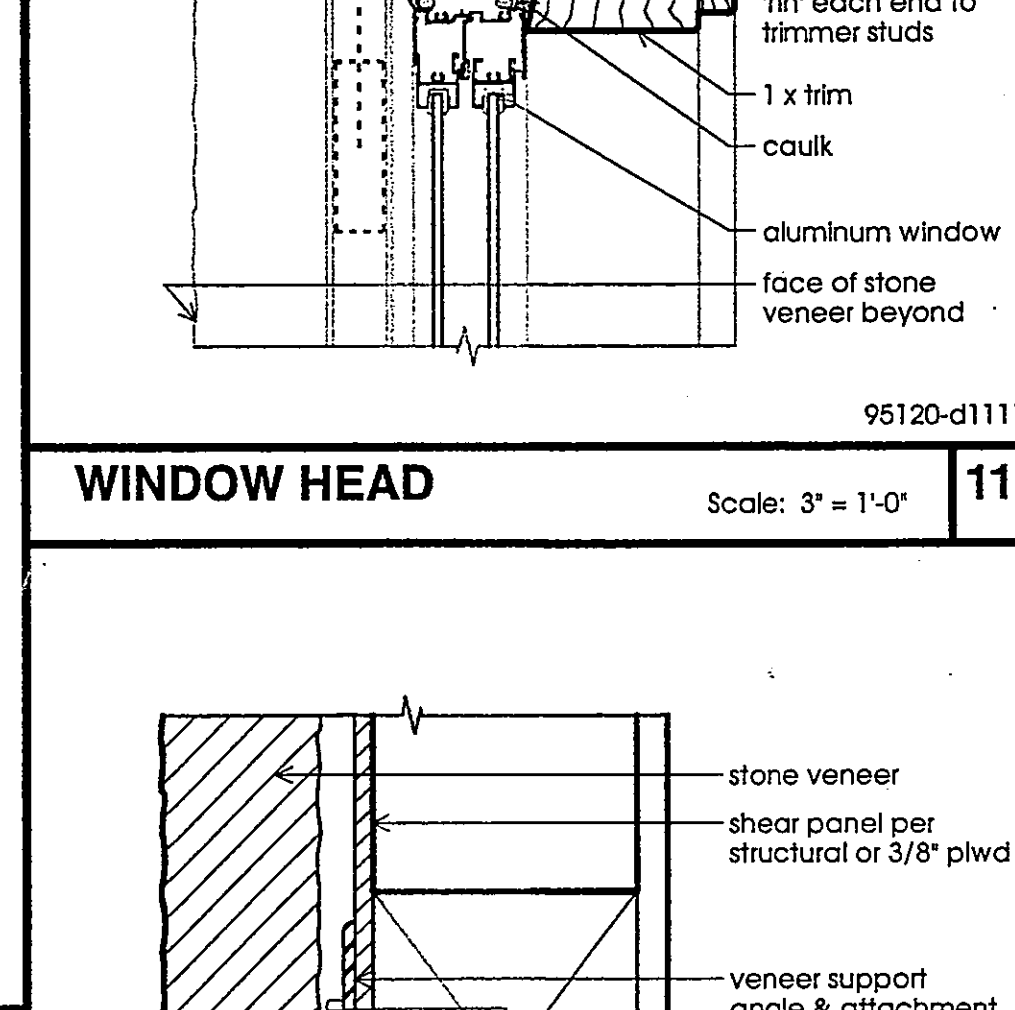
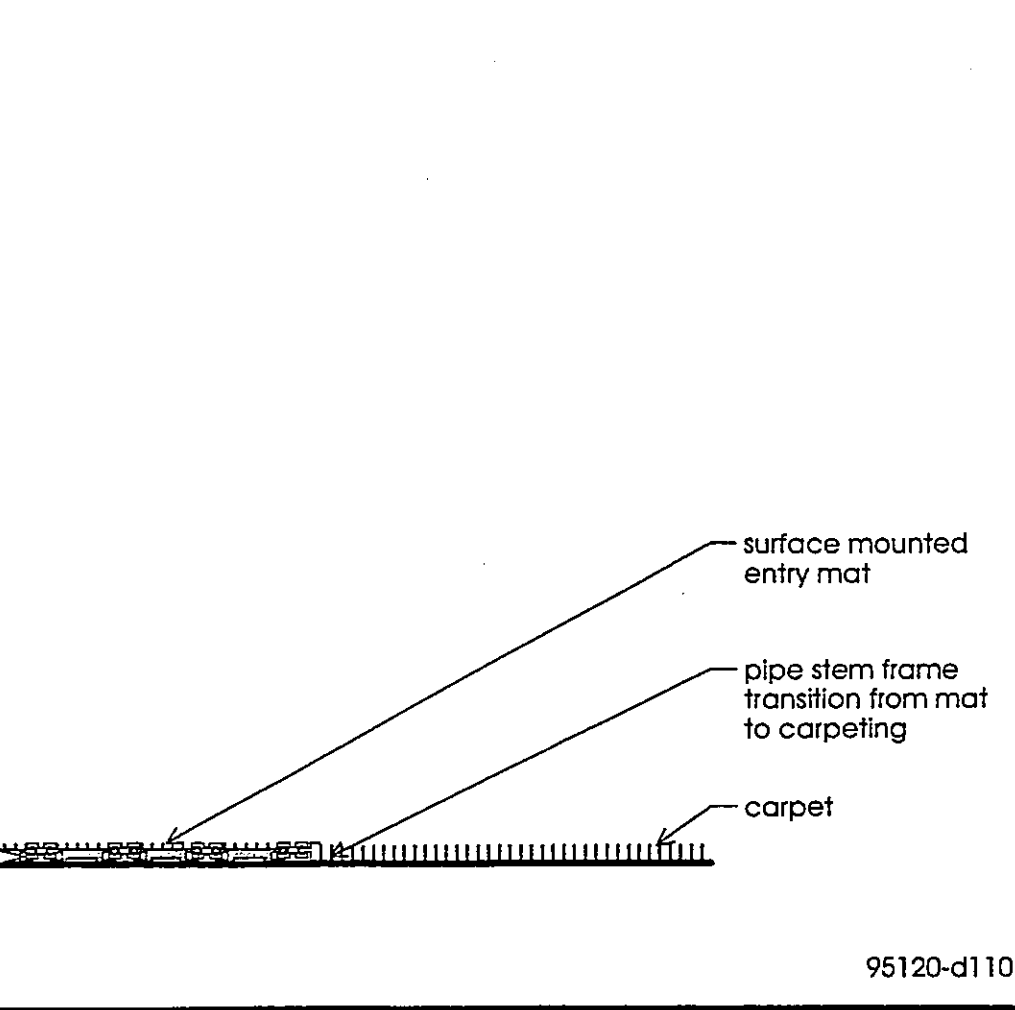
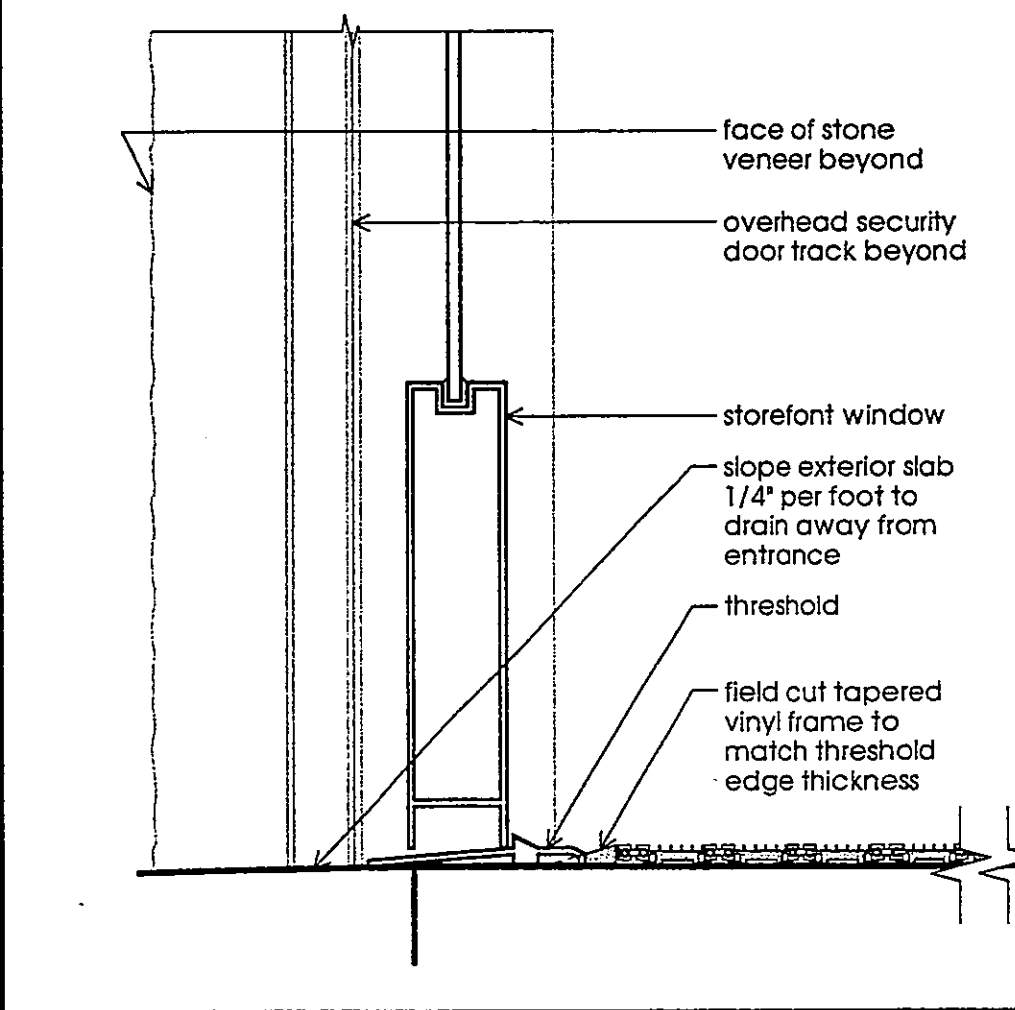
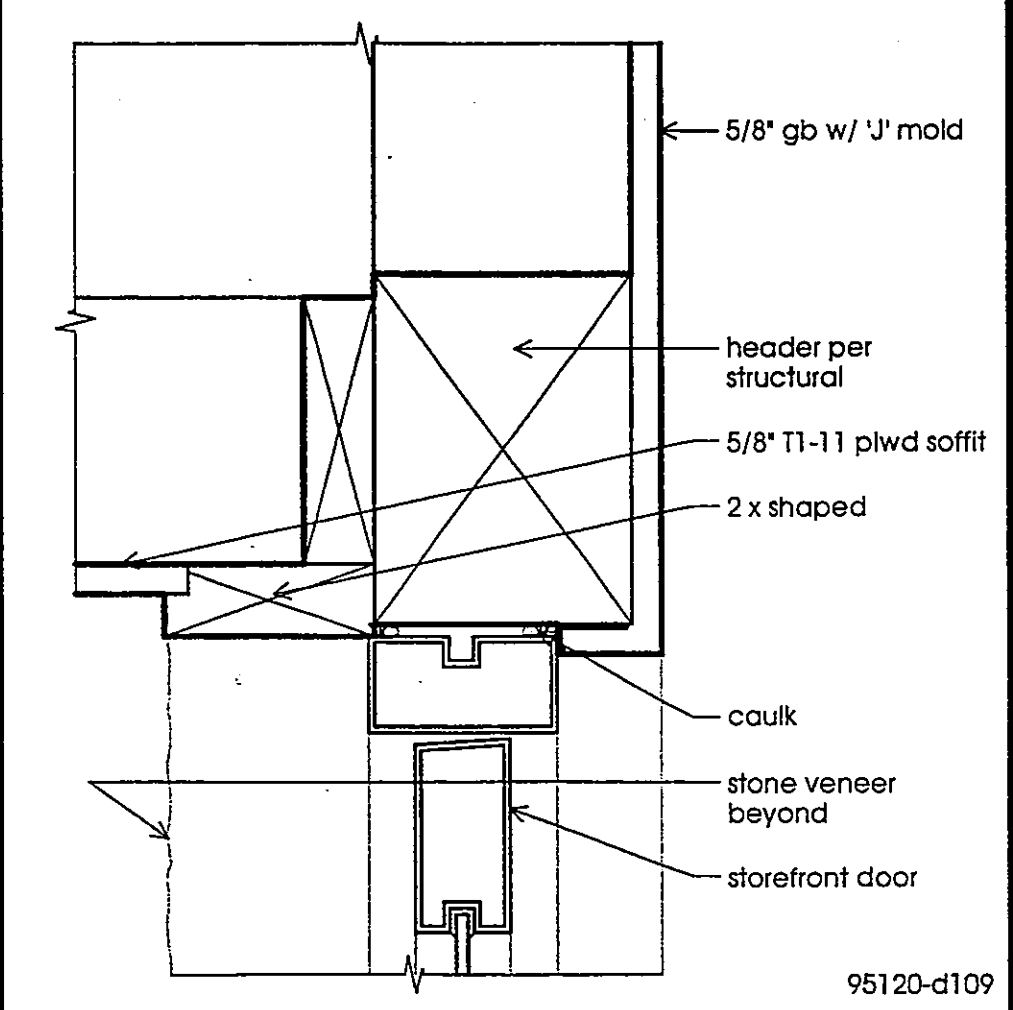
WINDOW SILL Scale: 3" = 1'-0" **3**

WINDOW HEAD Scale: 3" = 1'-0" **11**

ENTRY WINDOW TRANSOM Scale: 3" = 1'-0" **12**

ENTRY WINDOW HEAD Scale: 3" = 1'-0" **6**

ENTRY WINDOW SILL Scale: 3" = 1'-0" **7**



ENTRY DOOR HEAD Scale: 3" = 1'-0" **8**

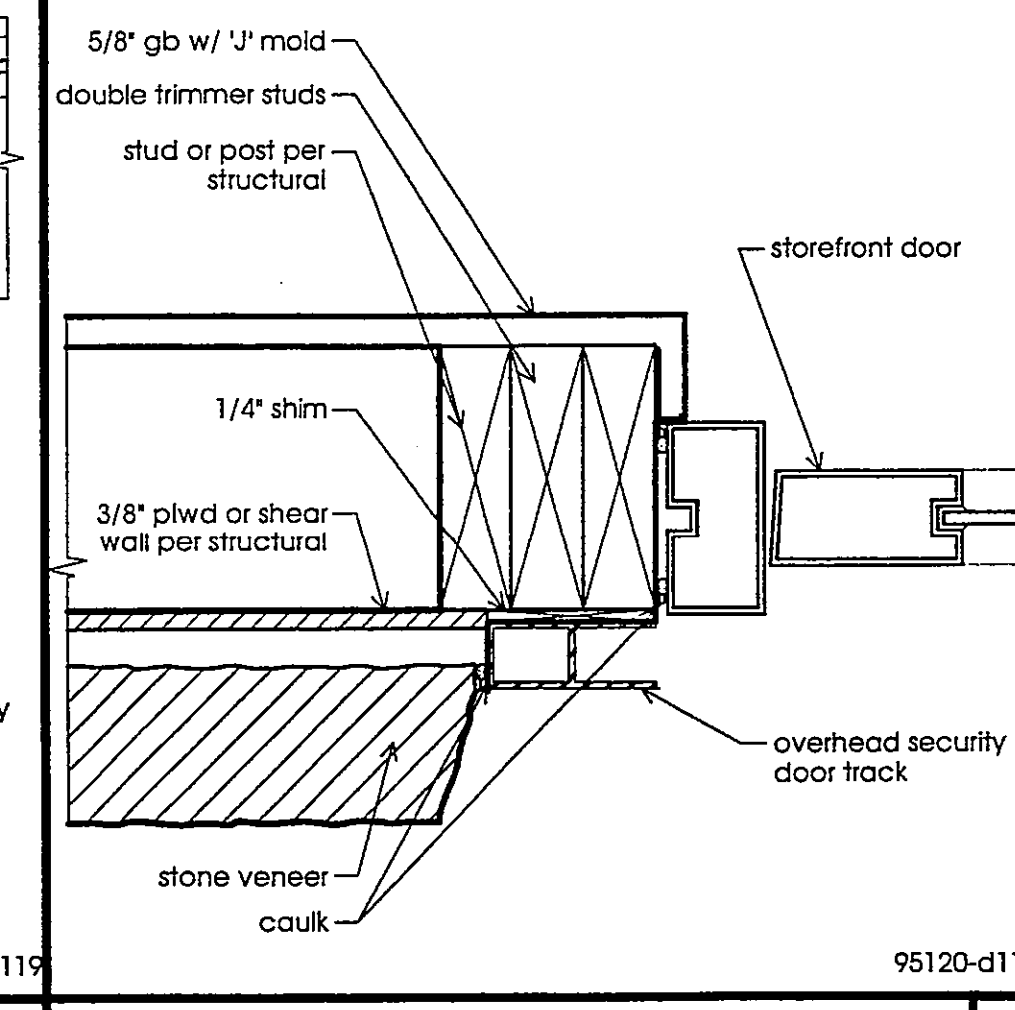
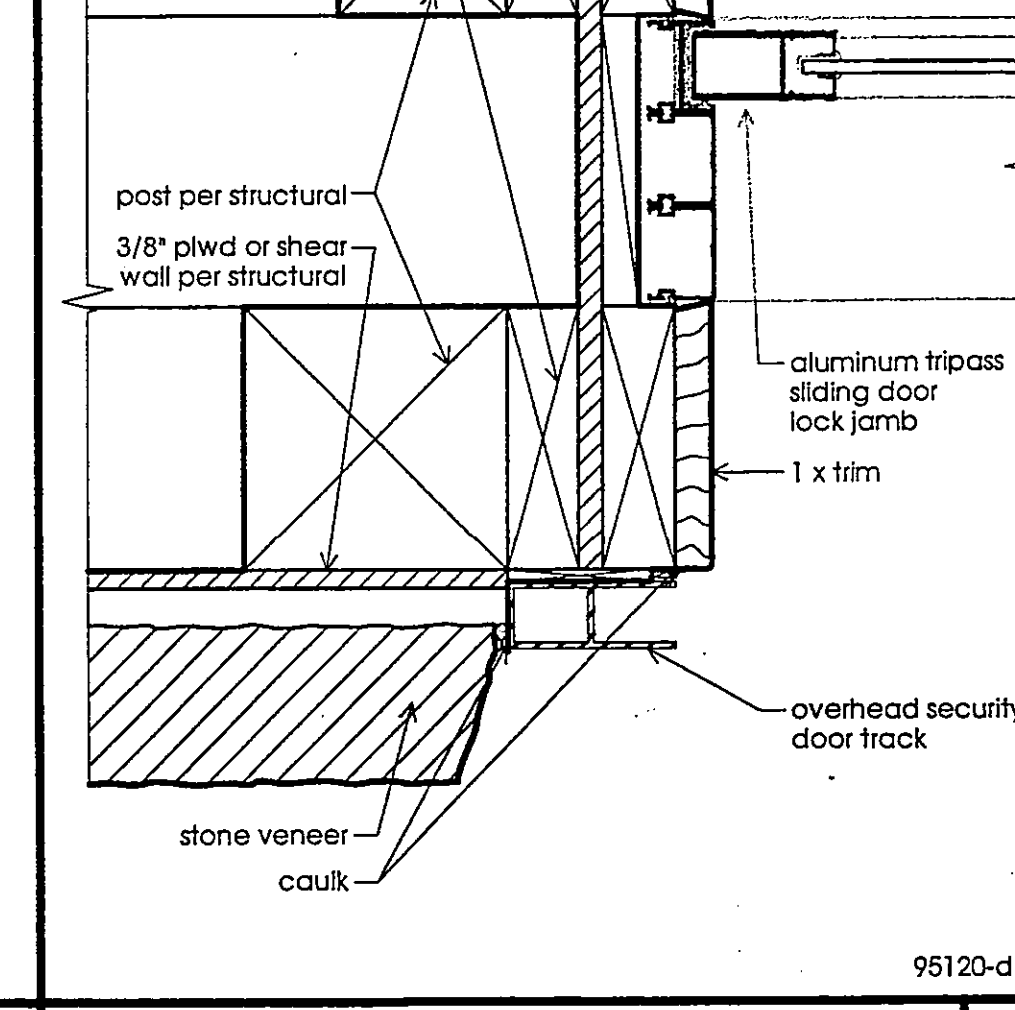
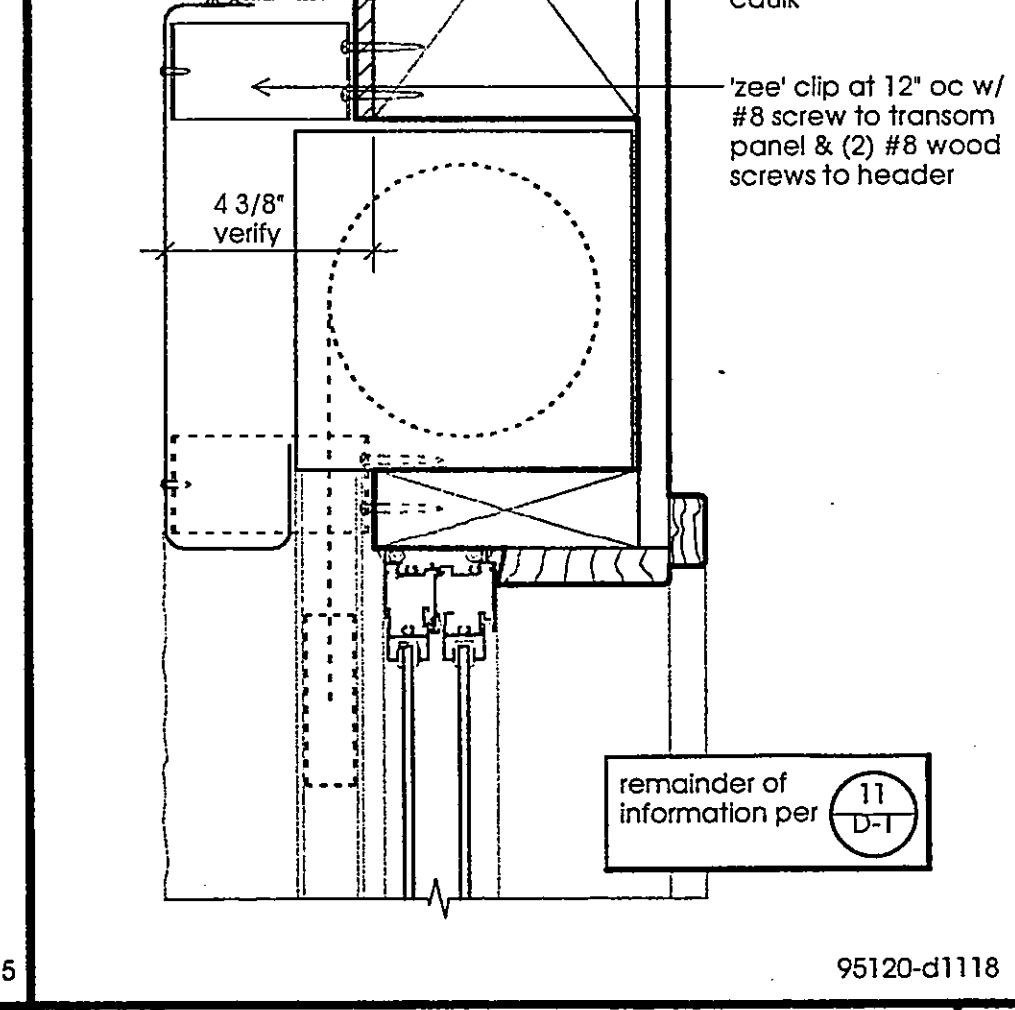
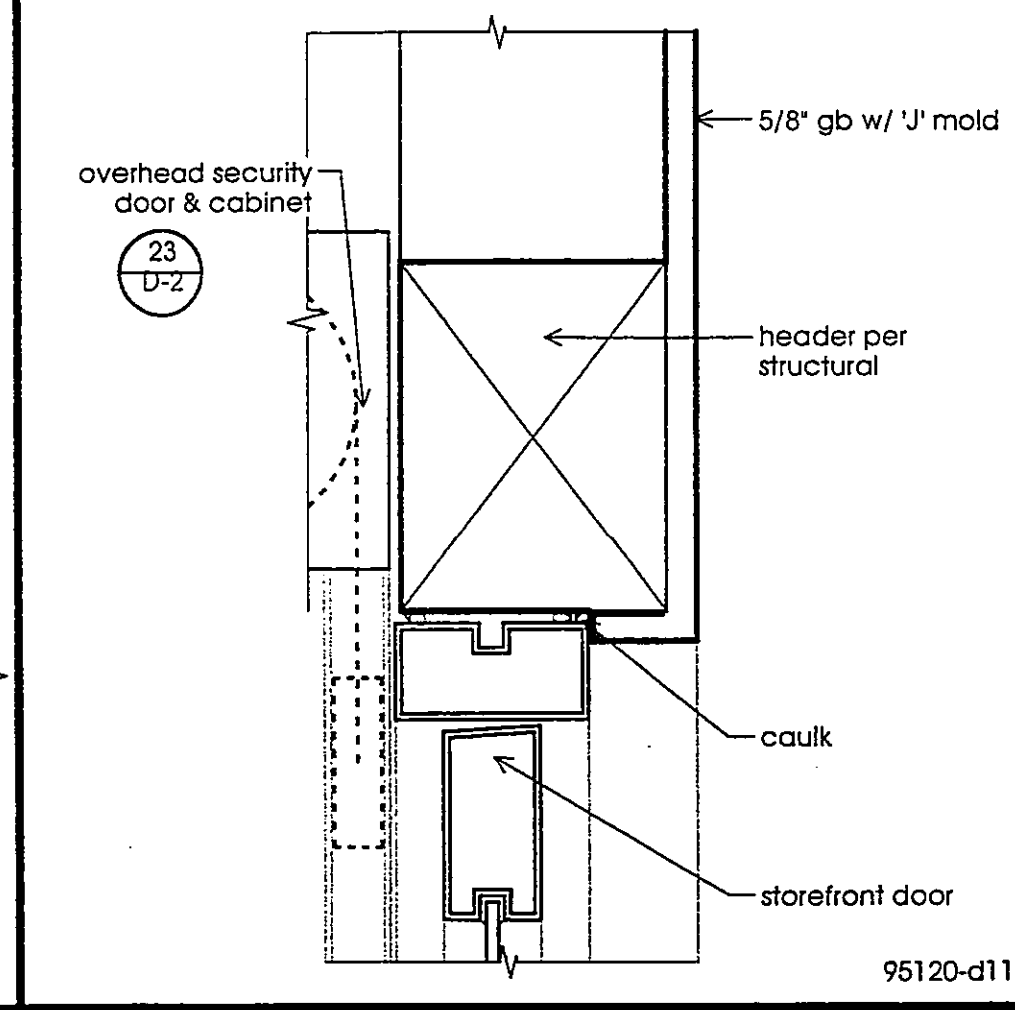
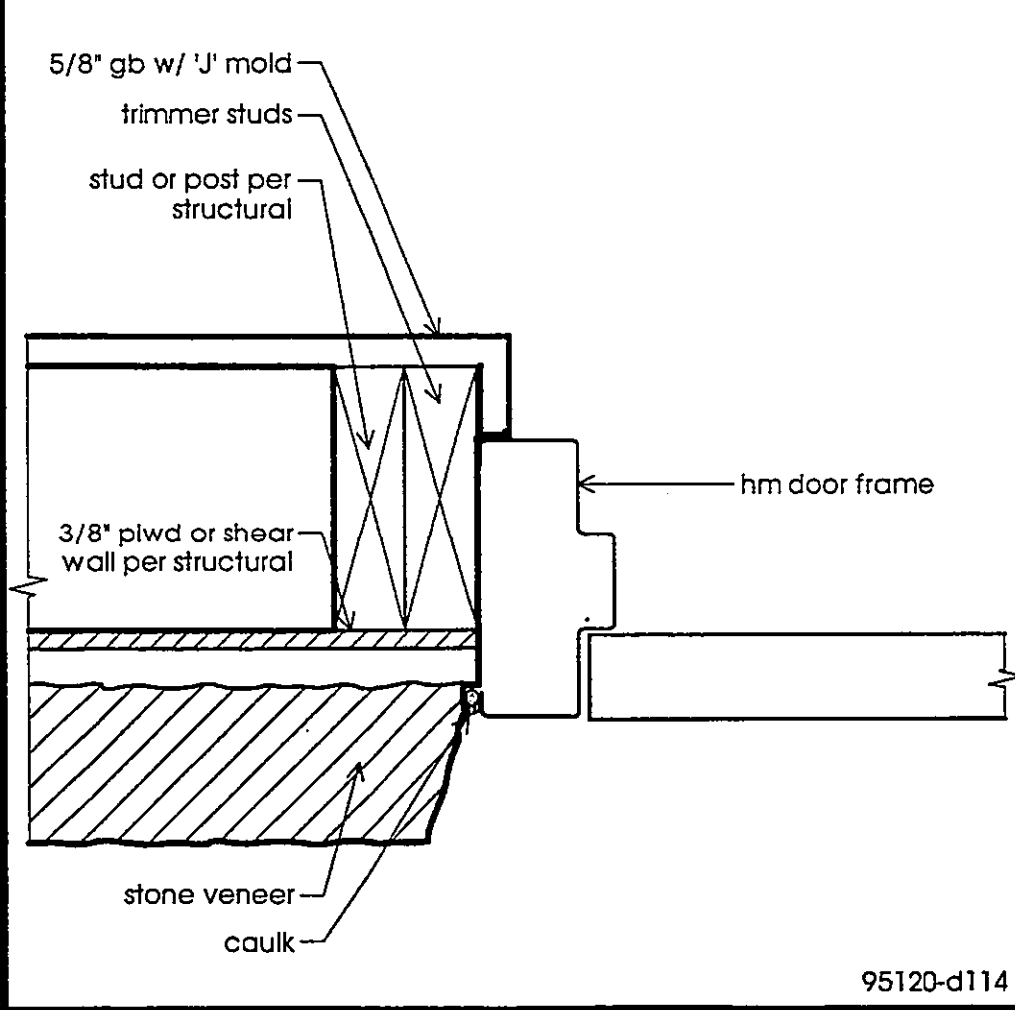
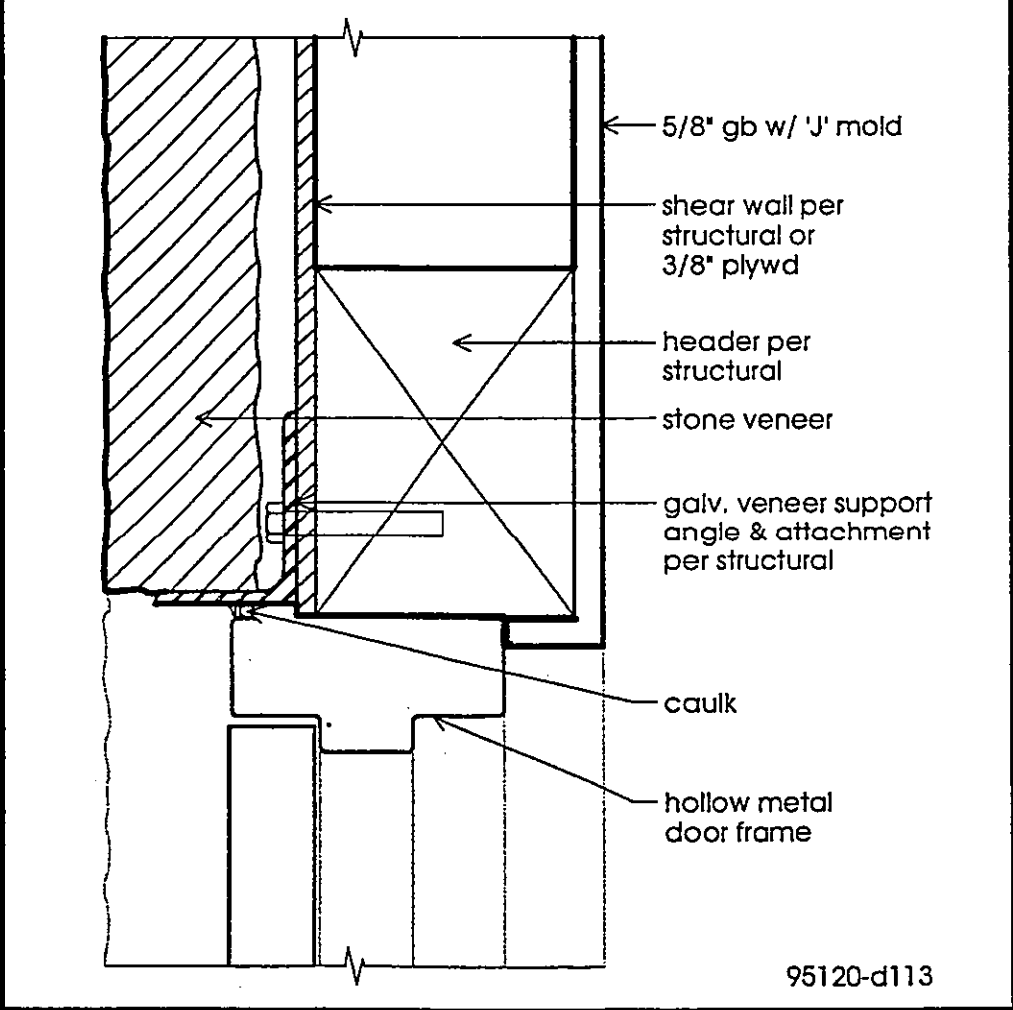
ENTRY DOOR SILL & MAT Scale: 3" = 1'-0" **10**

WINDOW HEAD Scale: 3" = 1'-0" **11**

ENTRY WINDOW TRANSOM Scale: 3" = 1'-0" **12**

ENTRY WINDOW JAMB Scale: 3" = 1'-0" **13**

ENTRY JAMB Scale: 3" = 1'-0" **14**



HM DOOR HEAD Scale: 3" = 1'-0" **15**

HM DOOR JAMB Scale: 3" = 1'-0" **16**

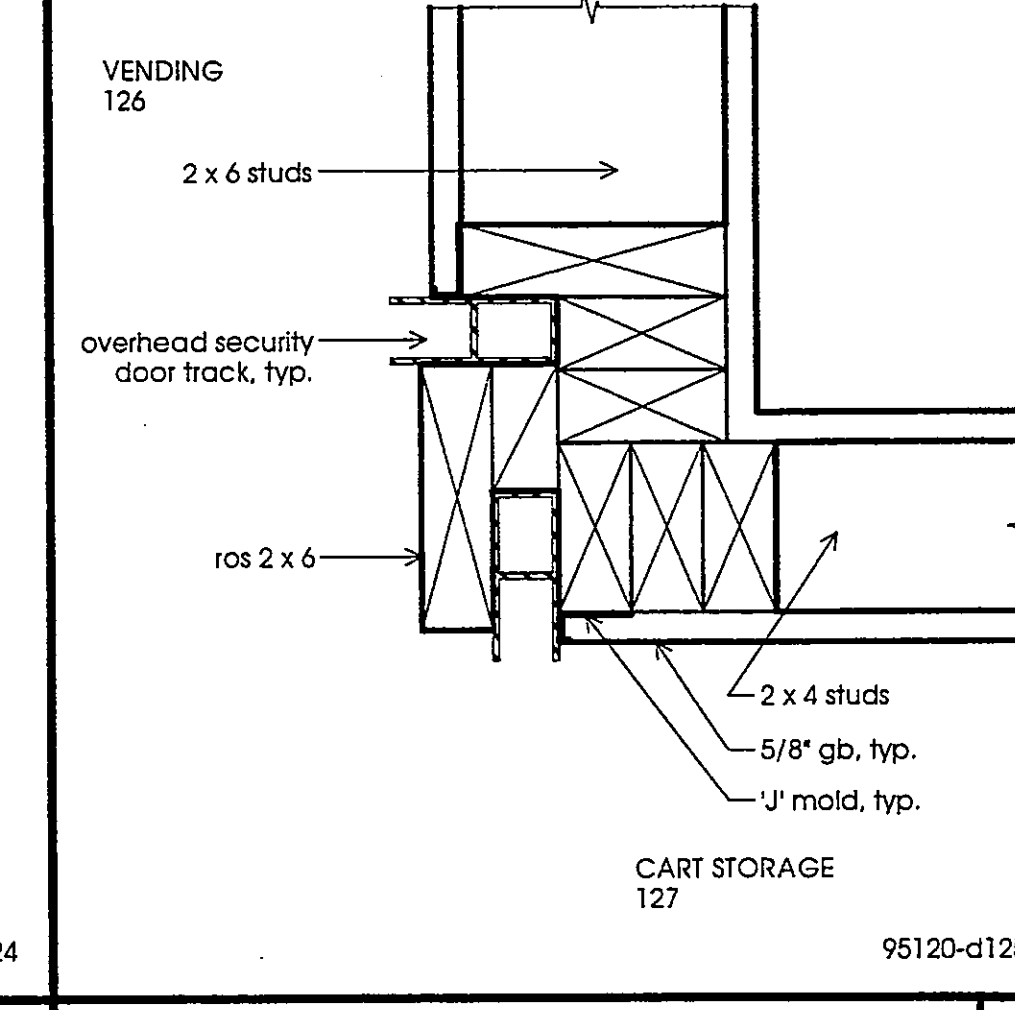
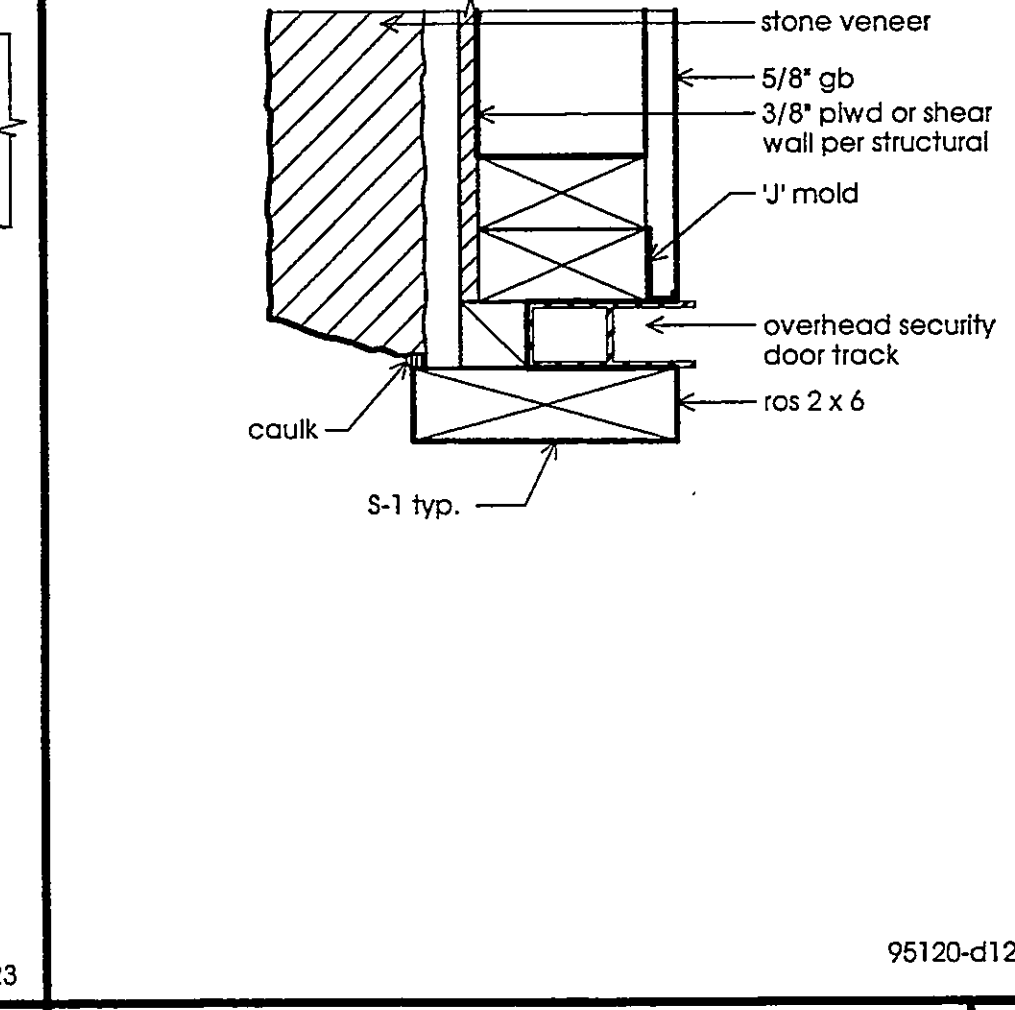
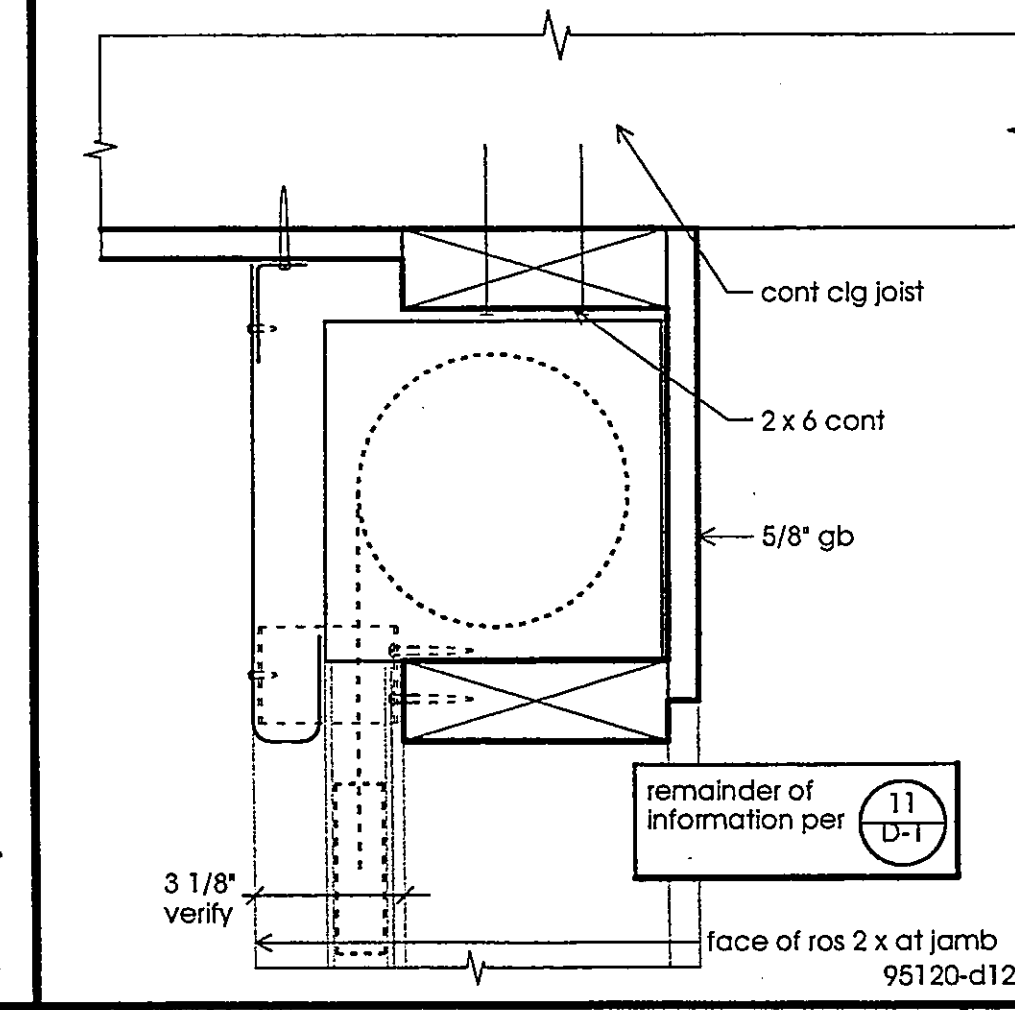
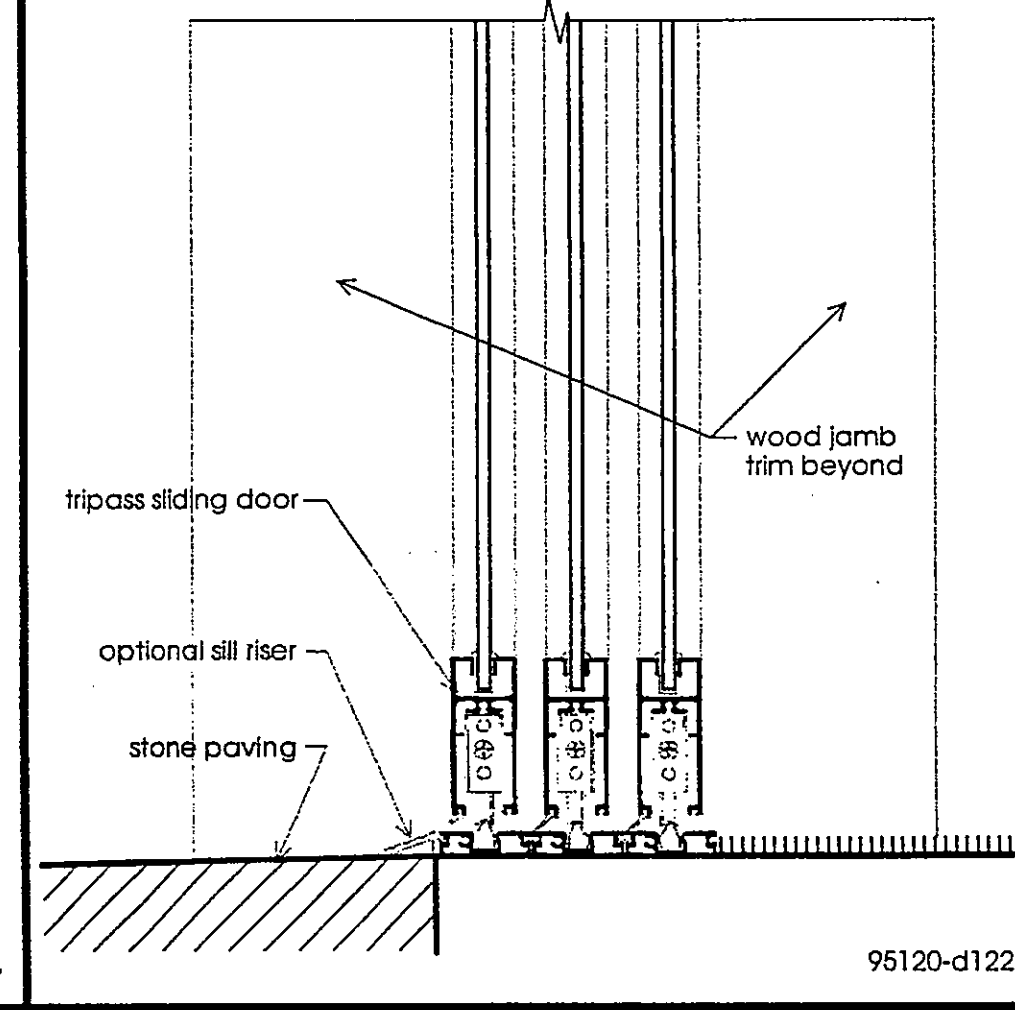
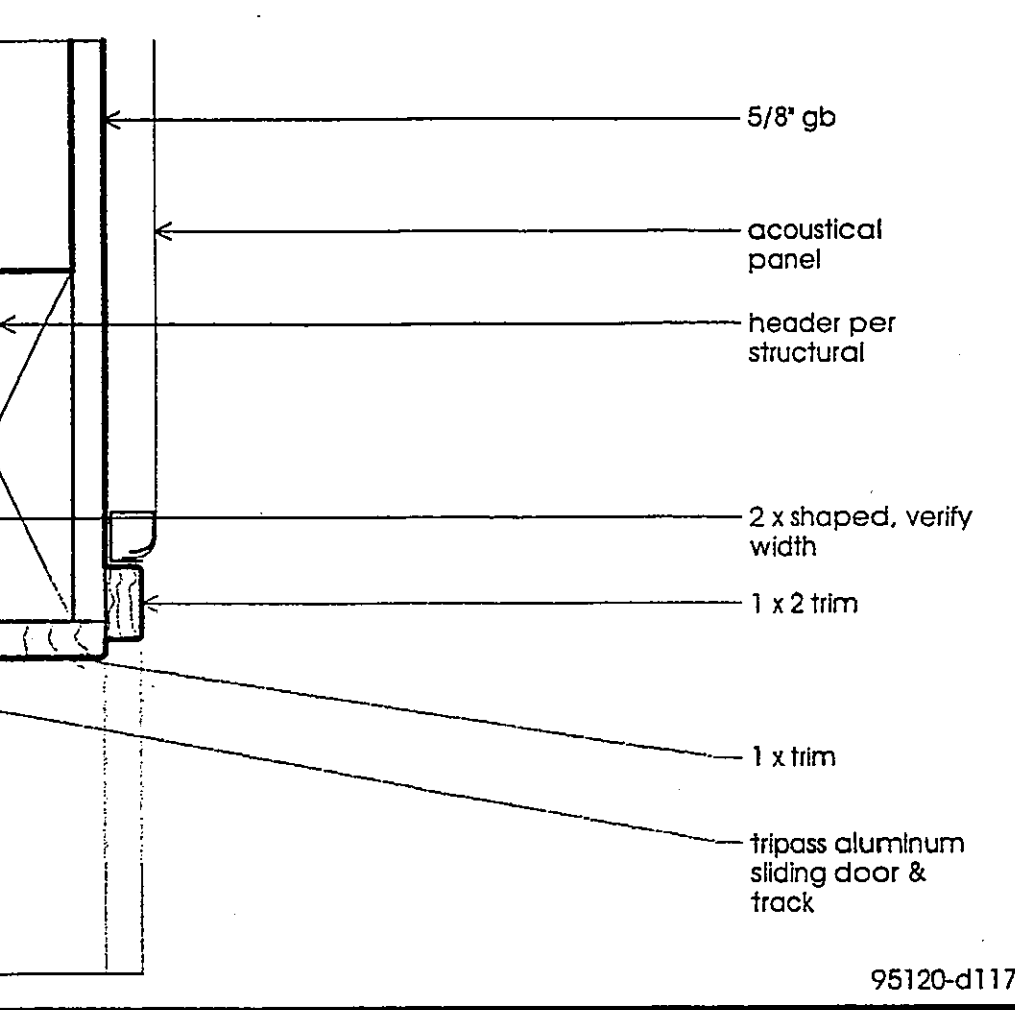
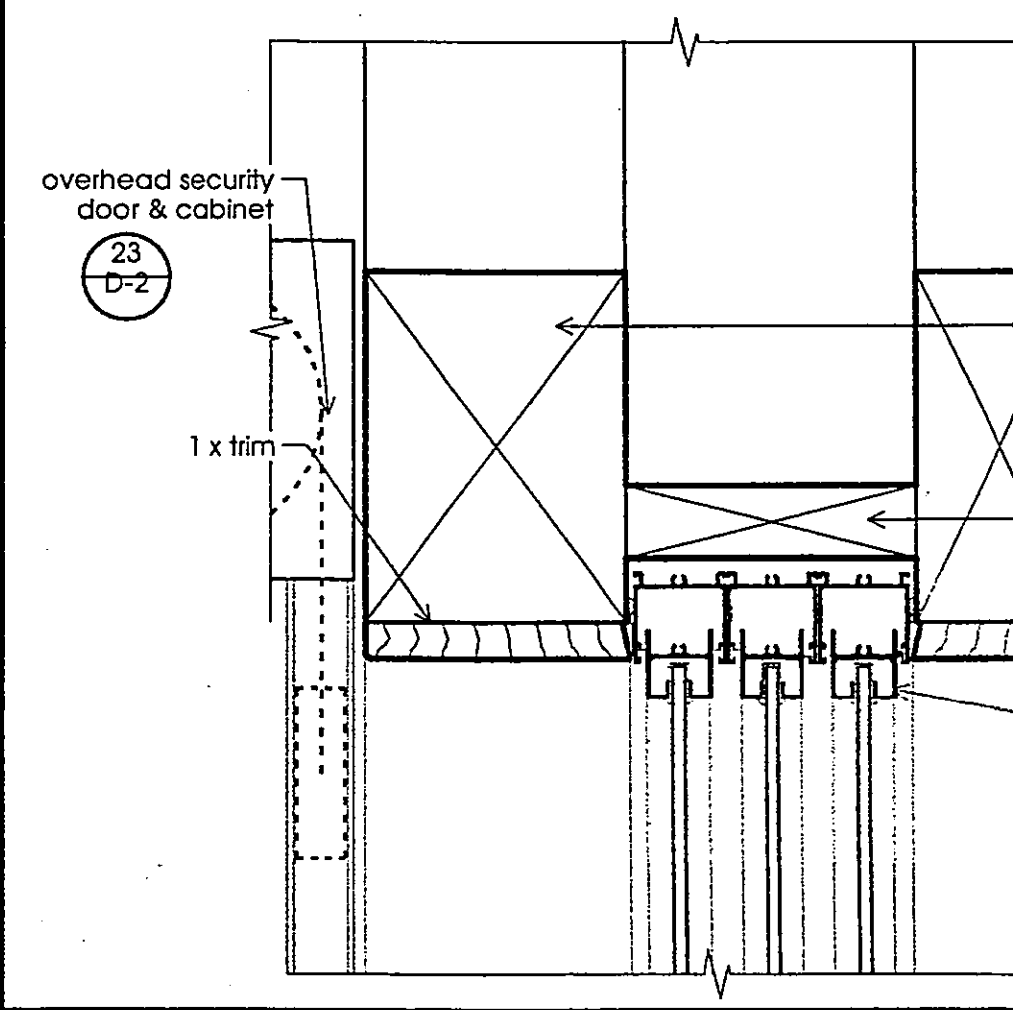
MP ROOM DOOR HEAD Scale: 3" = 1'-0" **17**

WINDOW HEAD Scale: 3" = 1'-0" **18**

MP SLIDING DOOR LOCK JAMB Scale: 3" = 1'-0" **19**

MP ROOM DOOR JAMB Scale: 3" = 1'-0" **20**

MP SLIDING DOOR POCKET JAMB Scale: 3" = 1'-0" **28**



MP ROOM SLIDING DOOR HEAD Scale: 3" = 1'-0" **23**

MP ROOM SLIDING DOOR SILL Scale: 3" = 1'-0" **24**

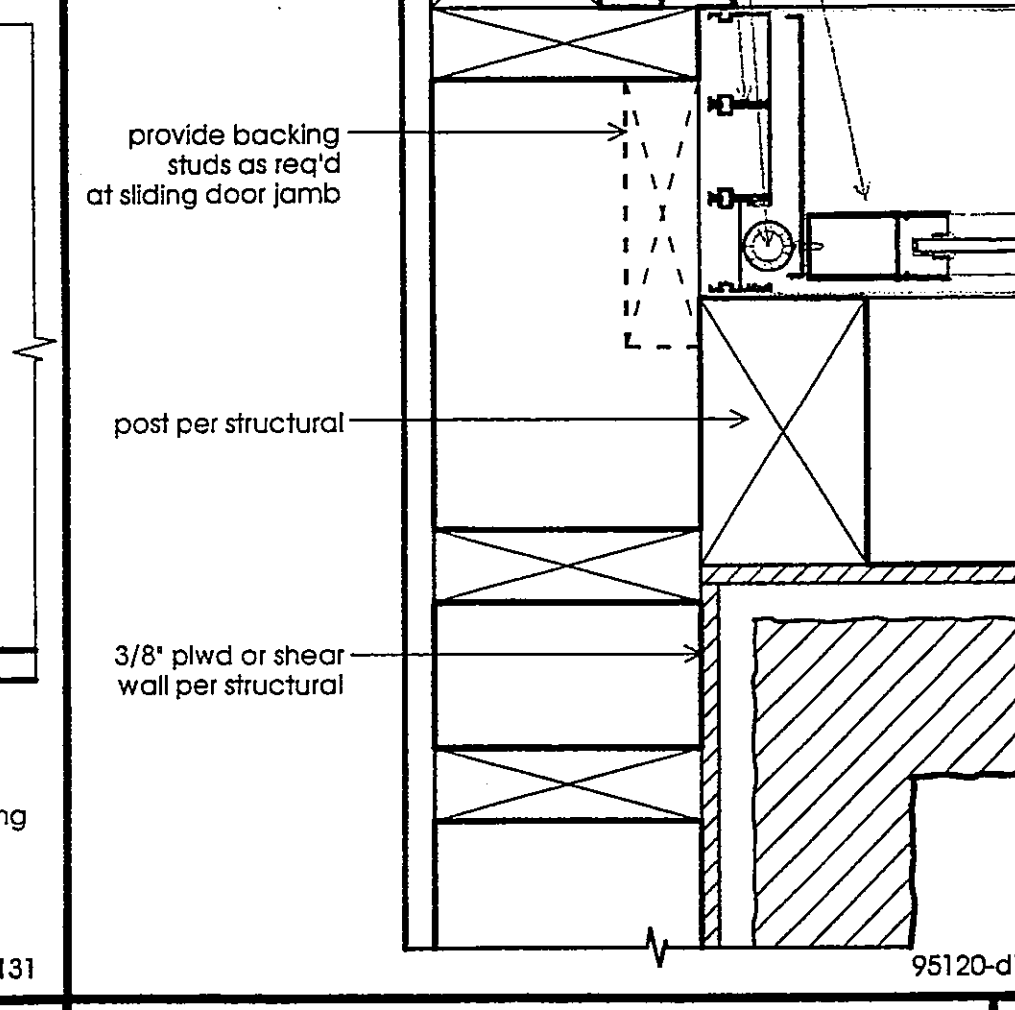
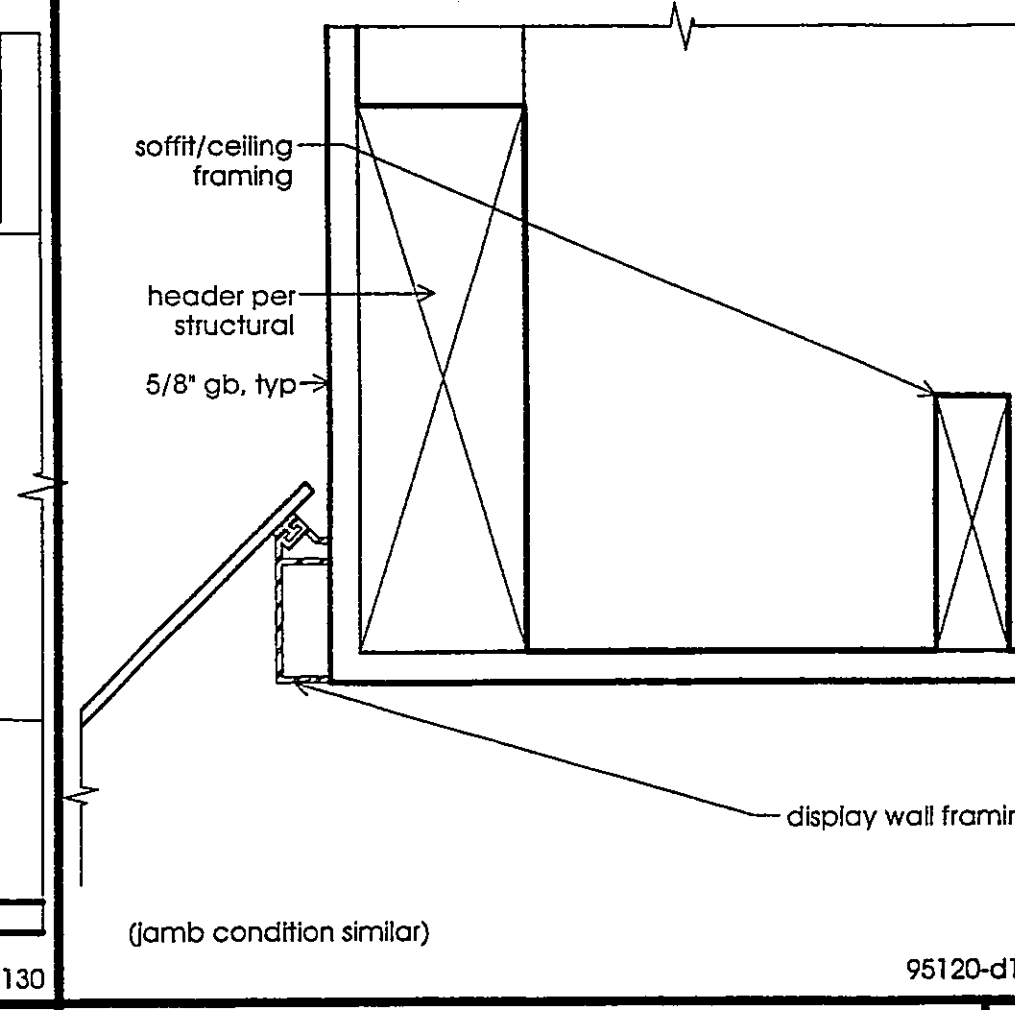
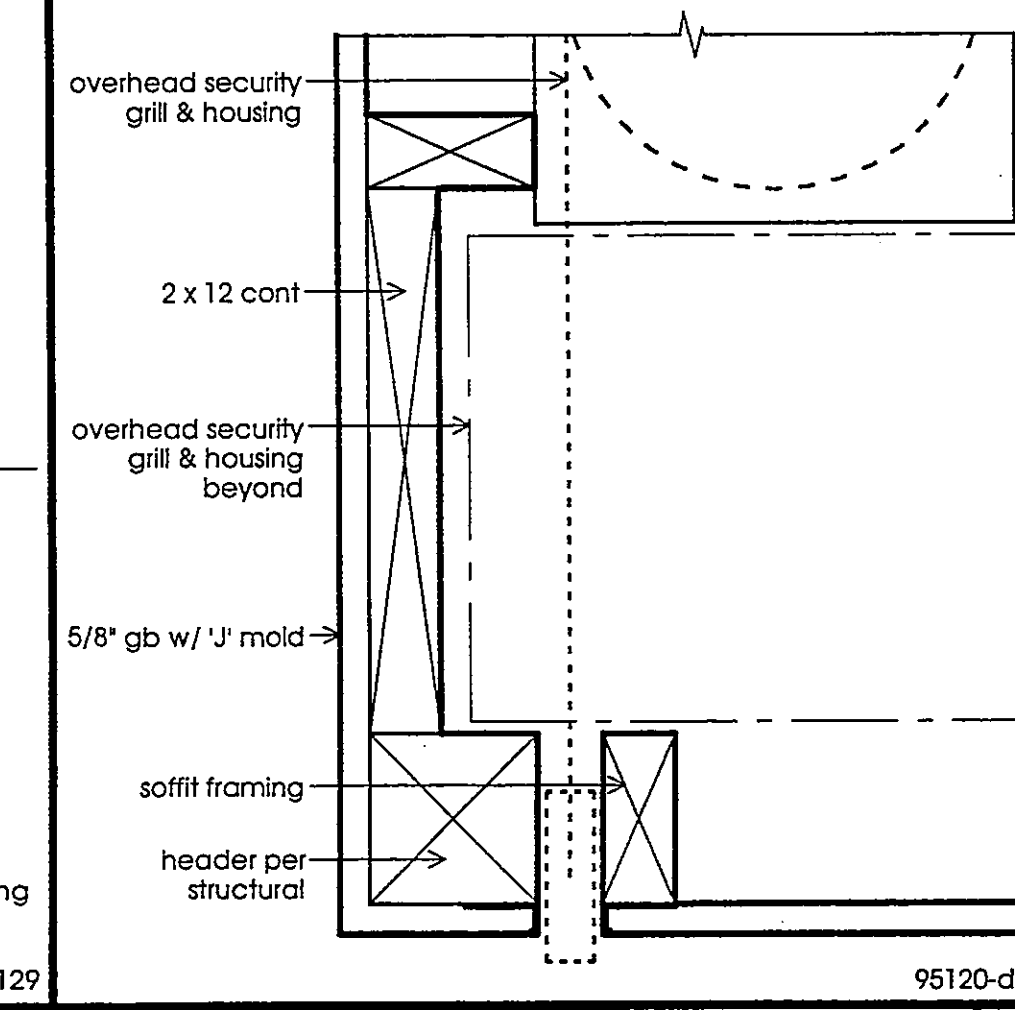
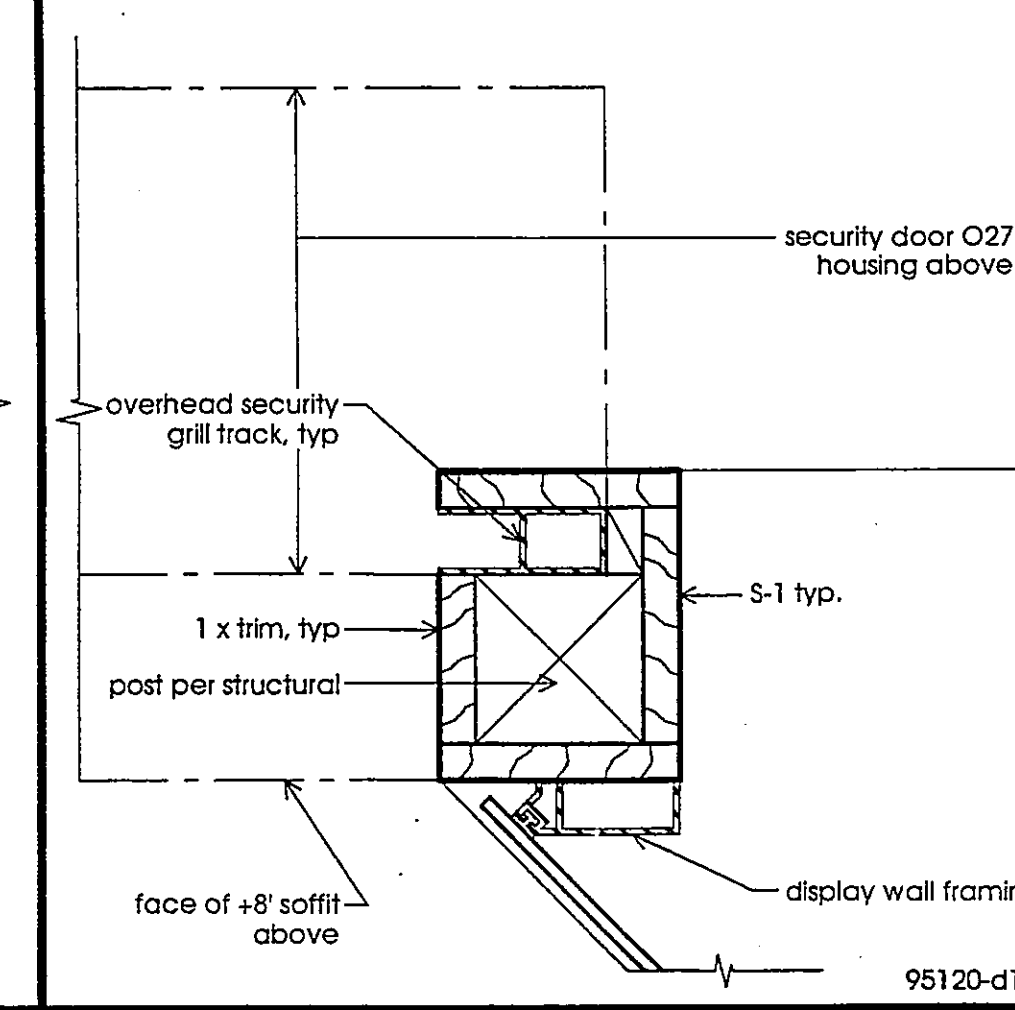
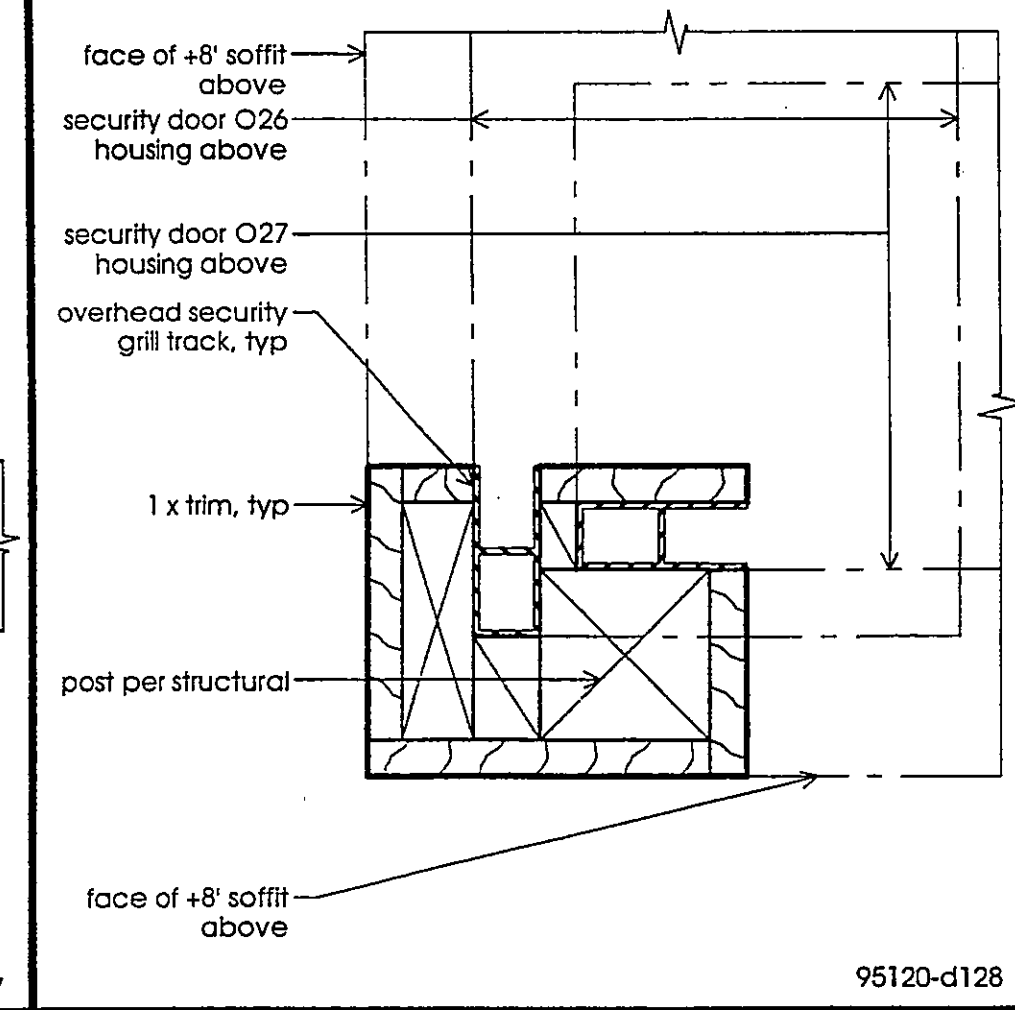
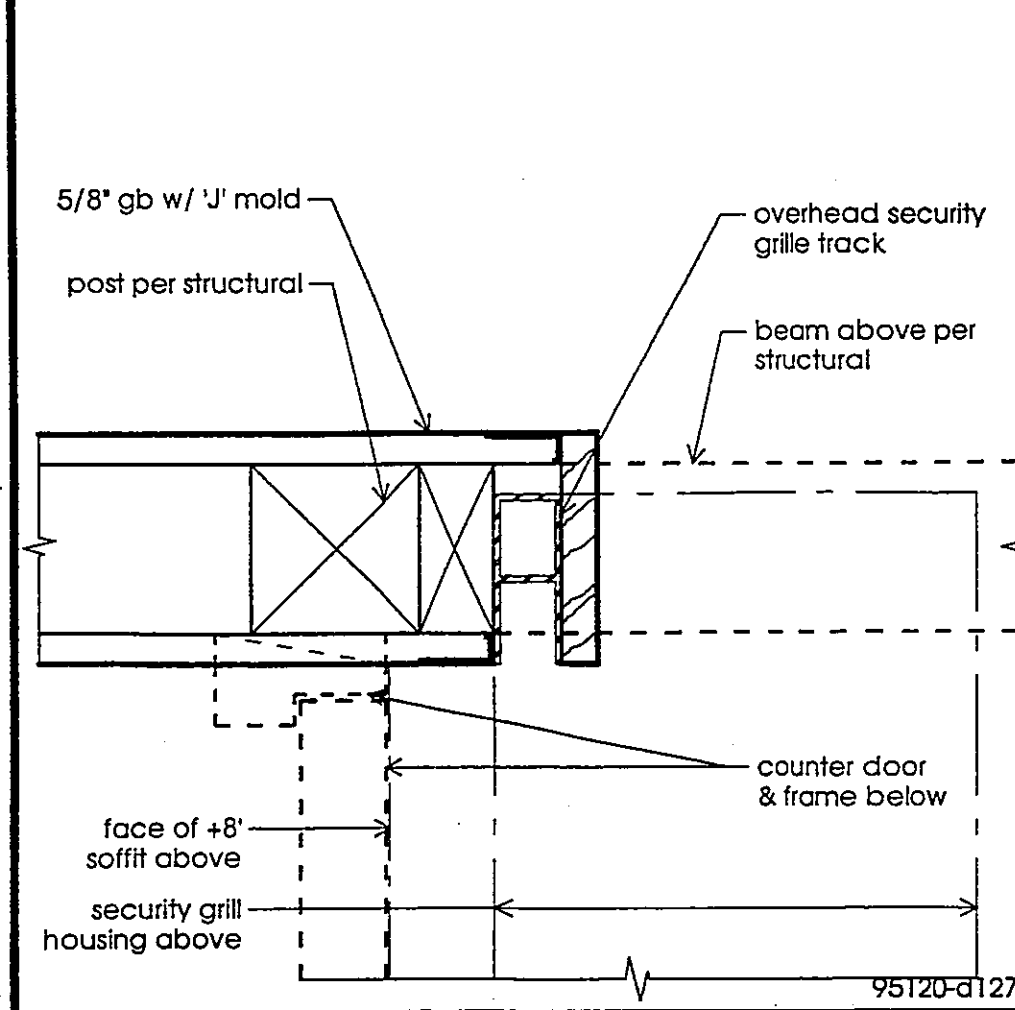
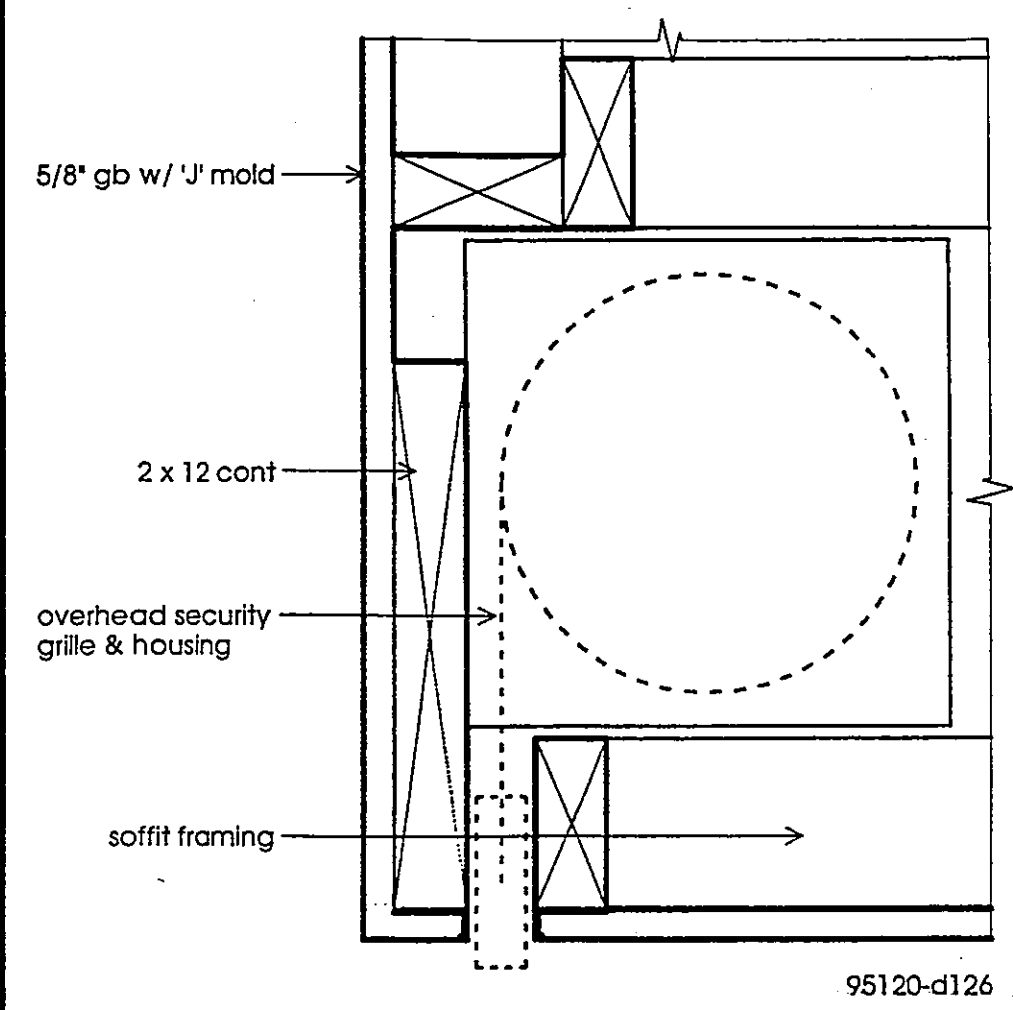
SHUTTER DOOR HEAD Scale: 3" = 1'-0" **25**

SHUTTER DOOR JAMB Scale: 3" = 1'-0" **26**

SHUTTER DOOR JAMB Scale: 3" = 1'-0" **27**

SHUTTER DOOR JAMB Scale: 3" = 1'-0" **27**

MP SLIDING DOOR POCKET JAMB Scale: 3" = 1'-0" **28**



SECURITY GRILL HEAD Scale: 3" = 1'-0" **29**

SECURITY GRILL JAMB Scale: 3" = 1'-0" **30**

SECURITY GRILL JAMB Scale: 3" = 1'-0" **31**

SECURITY GRILL JAMB Scale: 3" = 1'-0" **32**

SECURITY GRILL HEAD Scale: 3" = 1'-0" **33**

DISPLAY WALL HEAD Scale: 3" = 1'-0" **34**

MP SLIDING DOOR STOP JAMB Scale: 3" = 1'-0" **35**

RON YEO FAVA ARCHITECT, INC.
500 JASMINE AVENUE, CORONA DEL MAR
CALIFORNIA 92625-9499-644-8111 F-949-644-0449
PATRICK MARR, AIA, PE, ASSOCIATE ARCHITECT

POINT VICENTE INTERPRETIVE CENTER EXPANSION
31501 Palms Verdes Drive West
Palmdale Palms Verdes, CA

12/23/03 update revisions

Architectural Details

D-1

DRAWN: PM/MG
CHECKED: ST
DATE: 2/1/99
SCALE: (as noted)
JOB NO.: 95-120
SHEET

27 OF 69 SHEETS

1/2"

12/23/03

DATE: 2/1/99
PROJECT: Palms Verdes
DRAWN BY: PM/MG
CHECKED BY: ST
DATE: 2/1/99
SCALE: (as noted)
JOB NO.: 95-120
SHEET: 27 OF 69