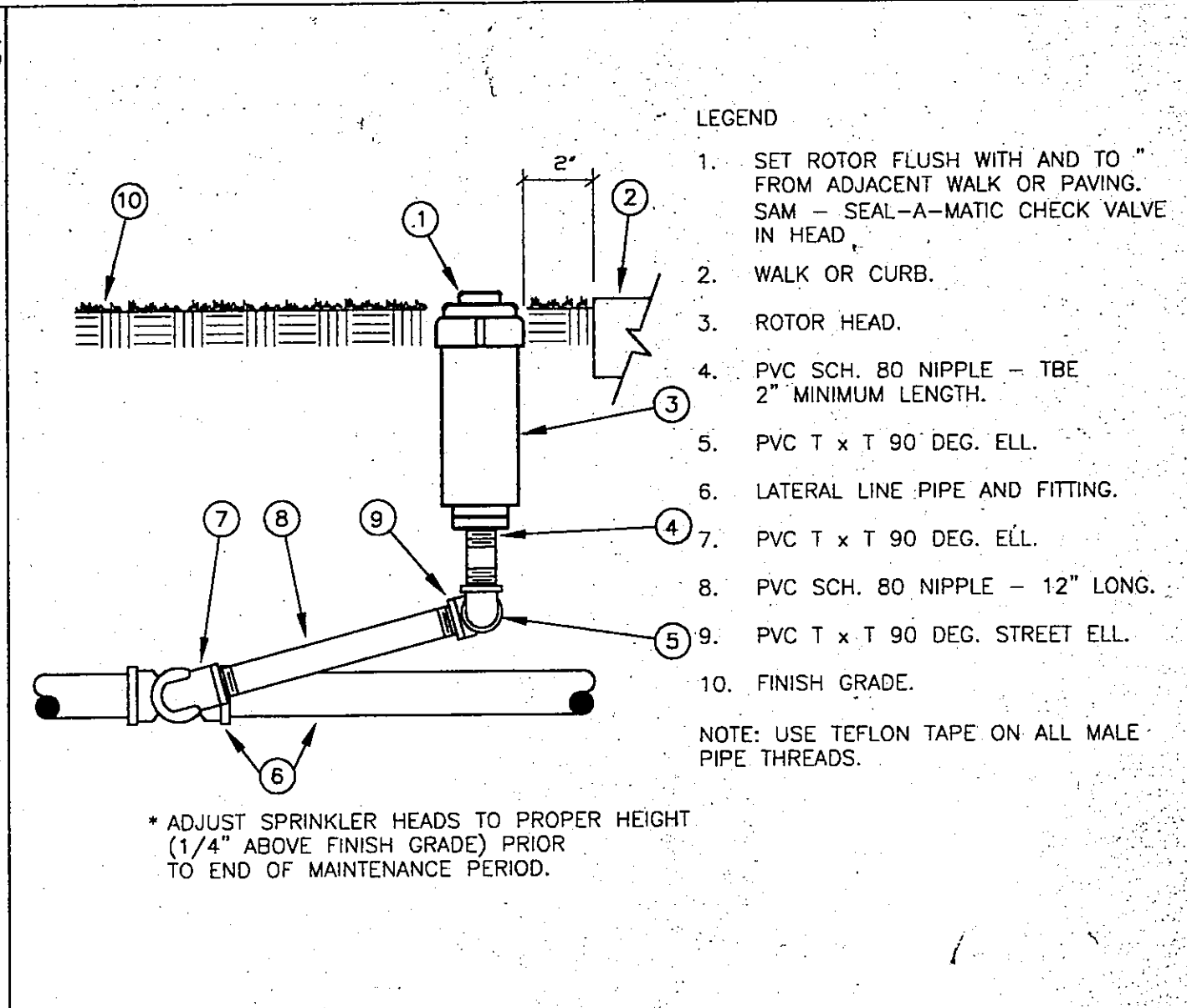
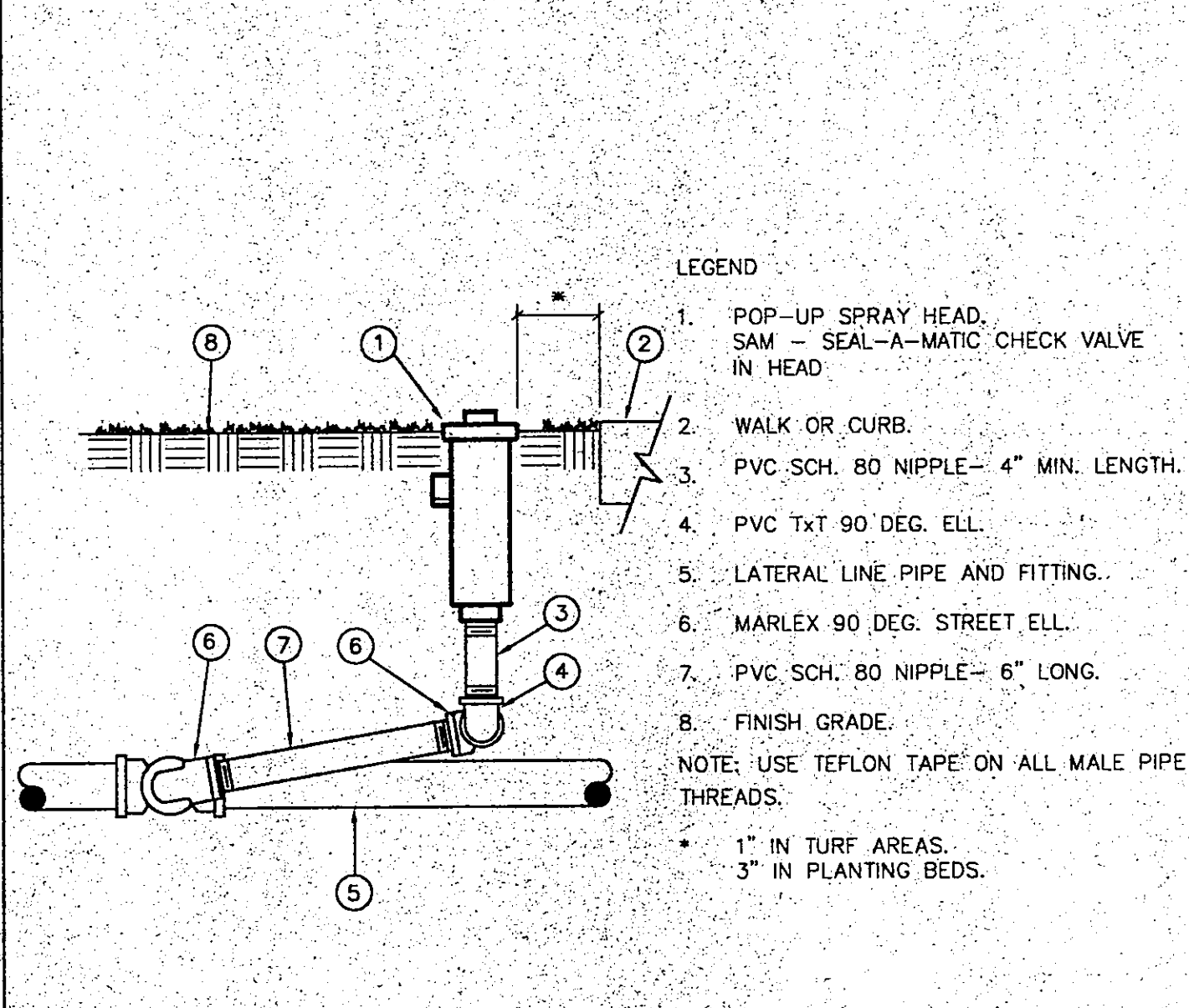


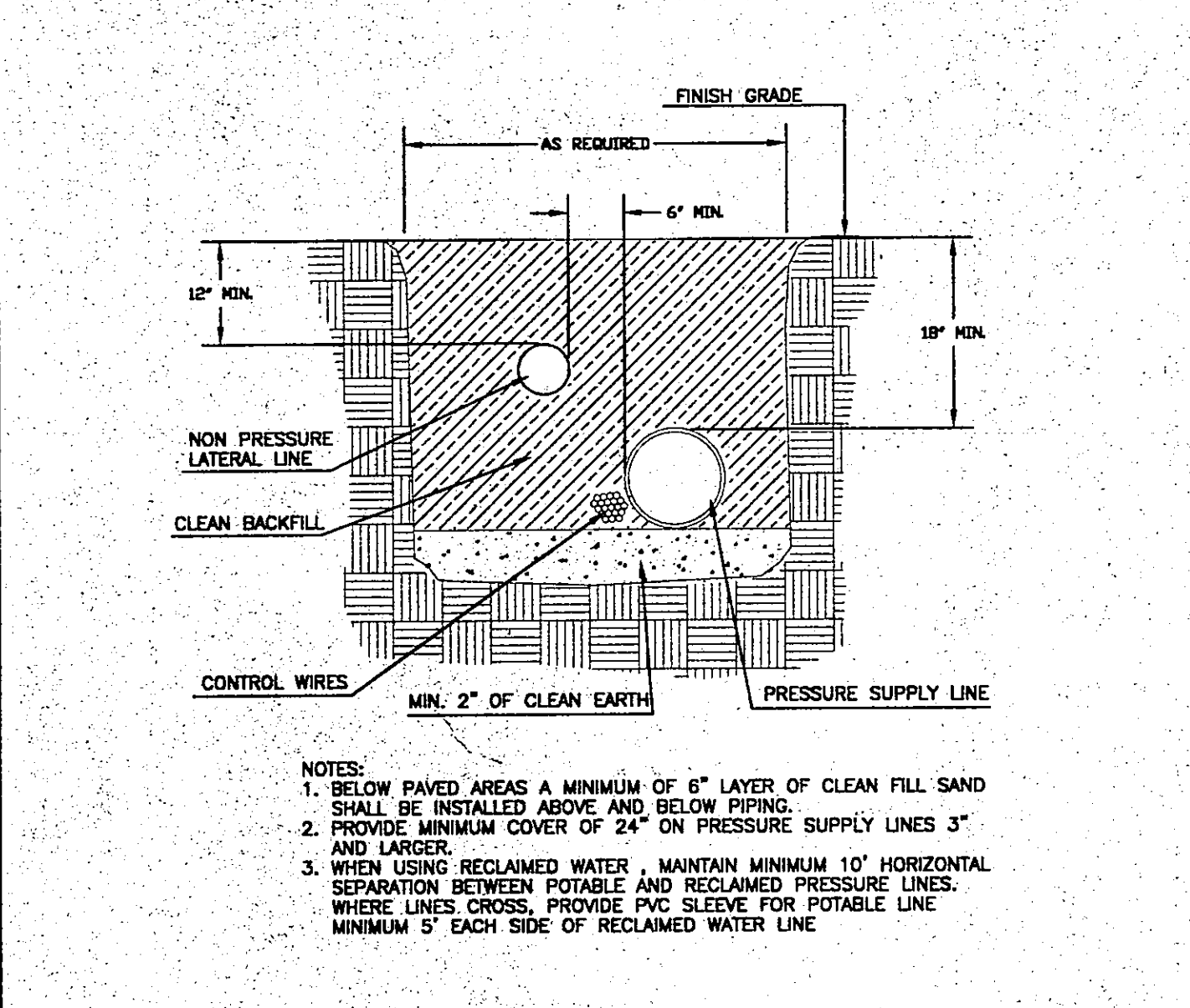
1 WIRE CONNECTOR



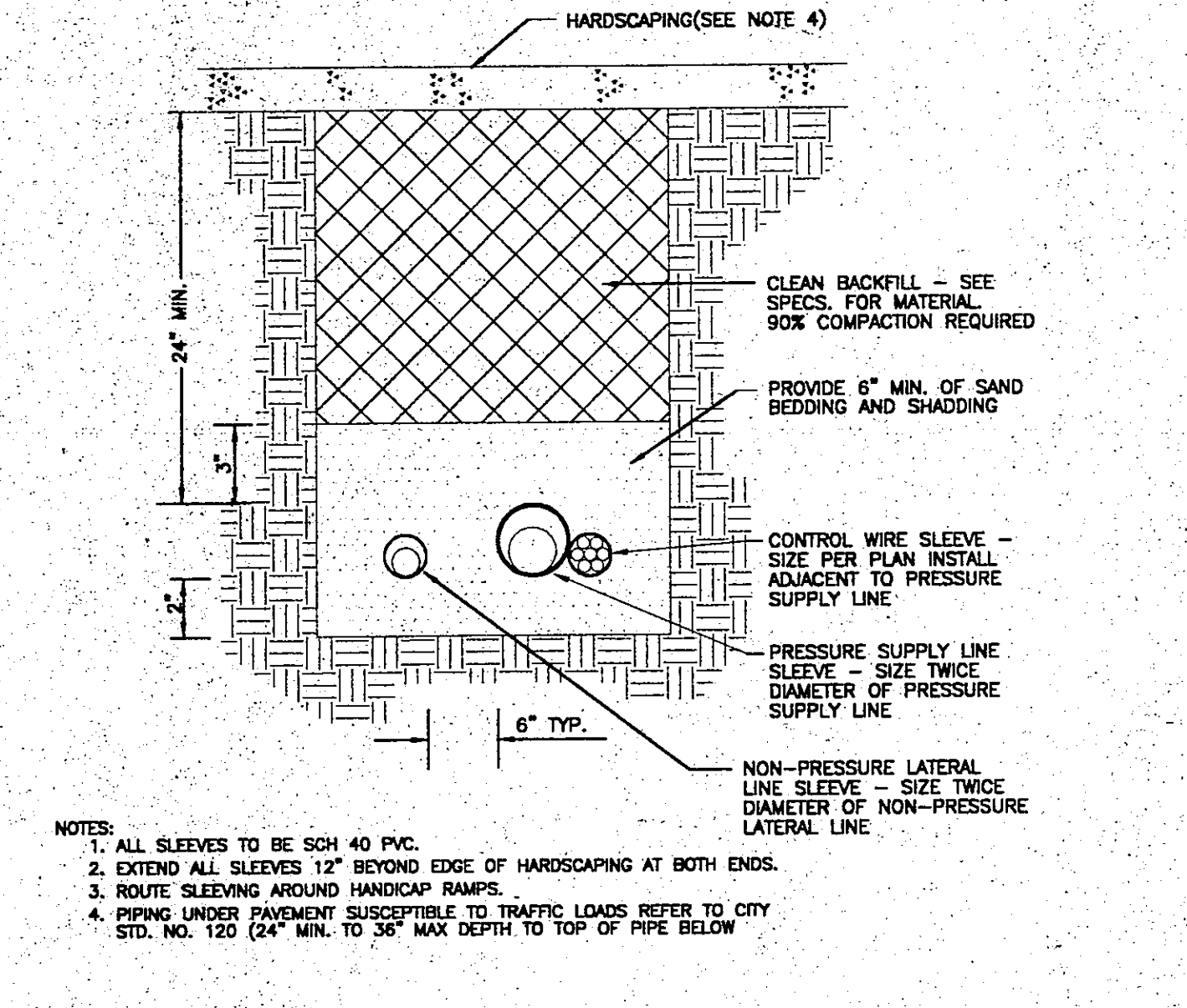
2 POP-UP STREAM ROTOR



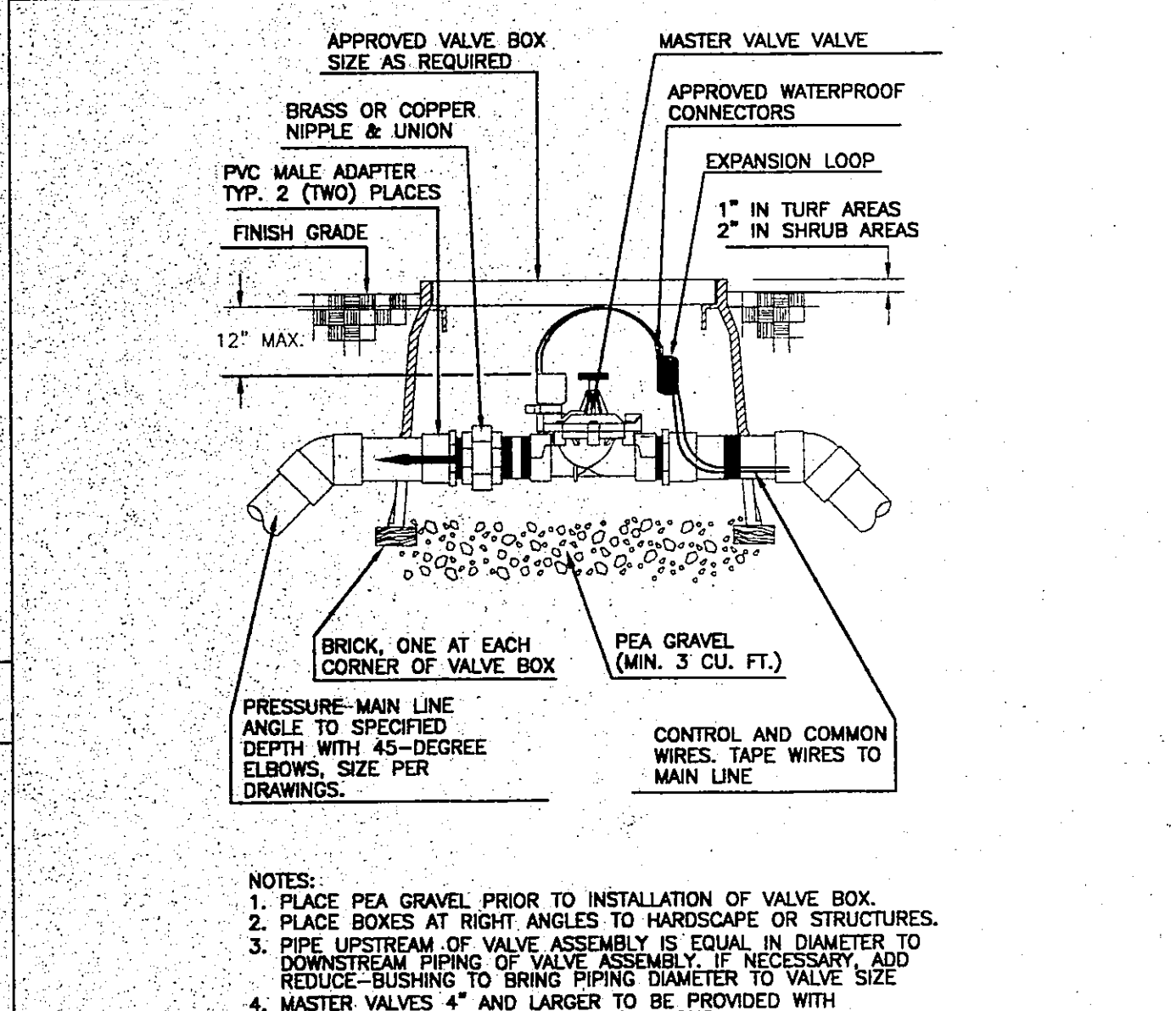
3 POP-UP SPRAY HEAD



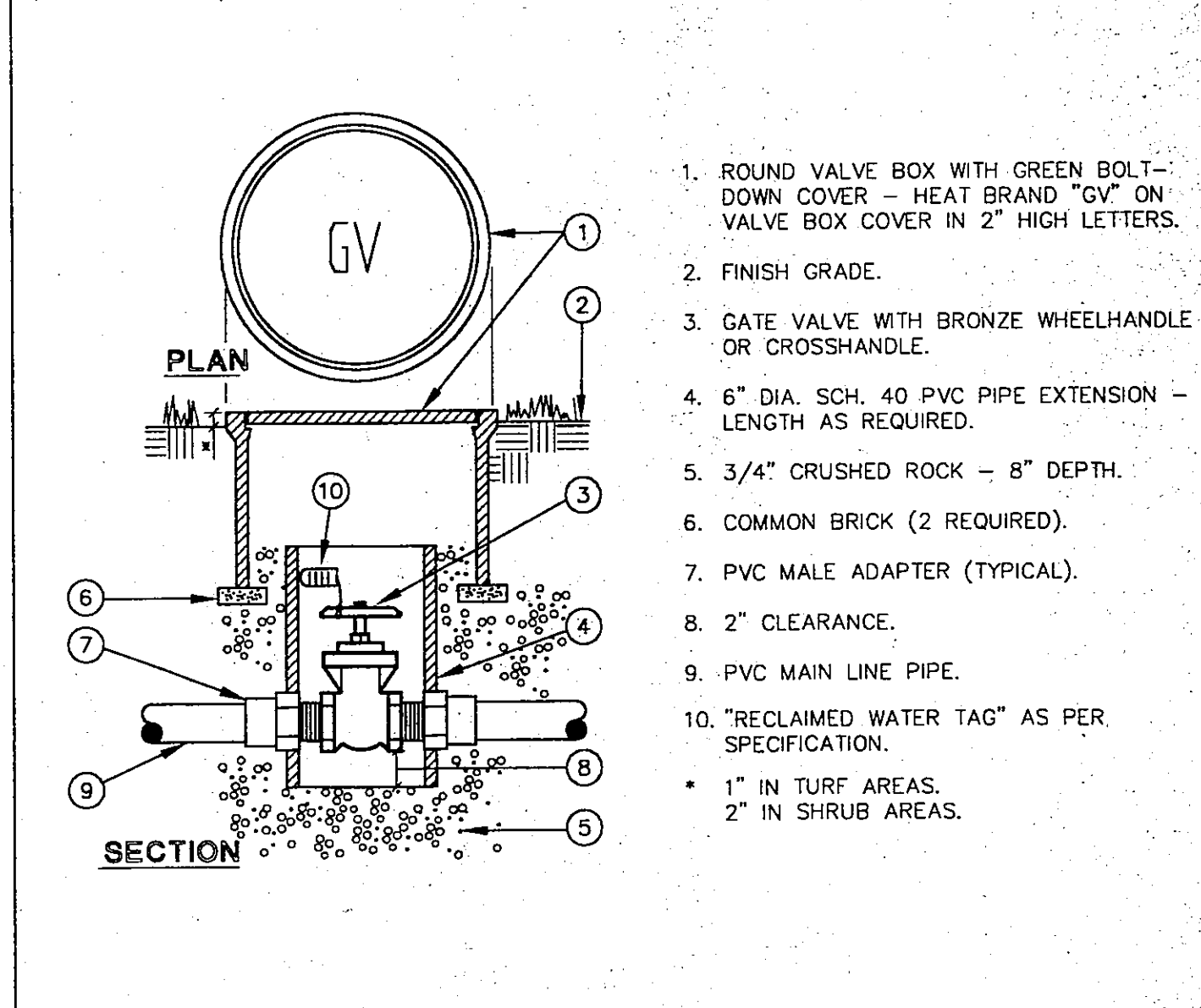
4 TYPICAL TRENCHING



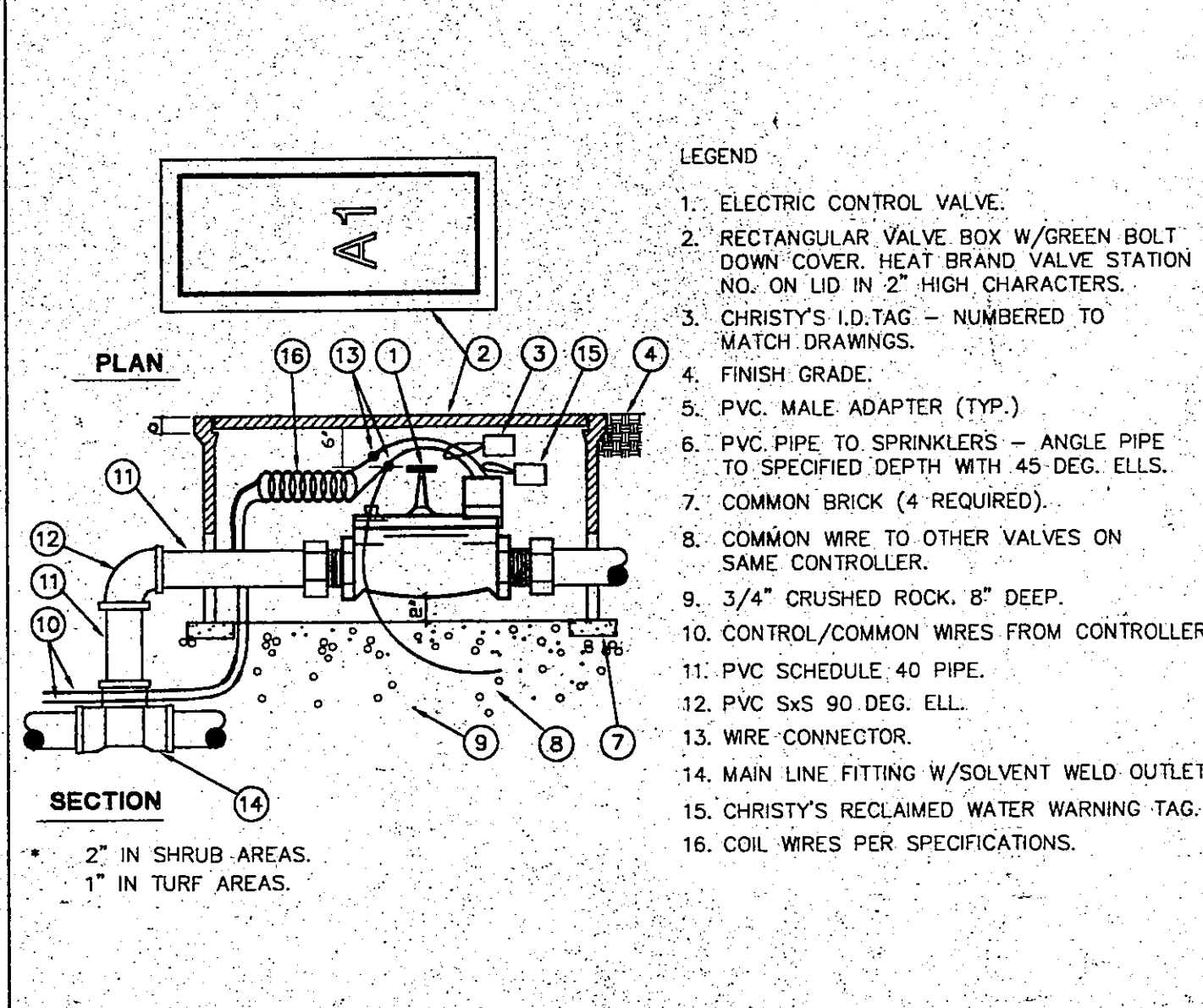
5 TYPICAL SLEEVING



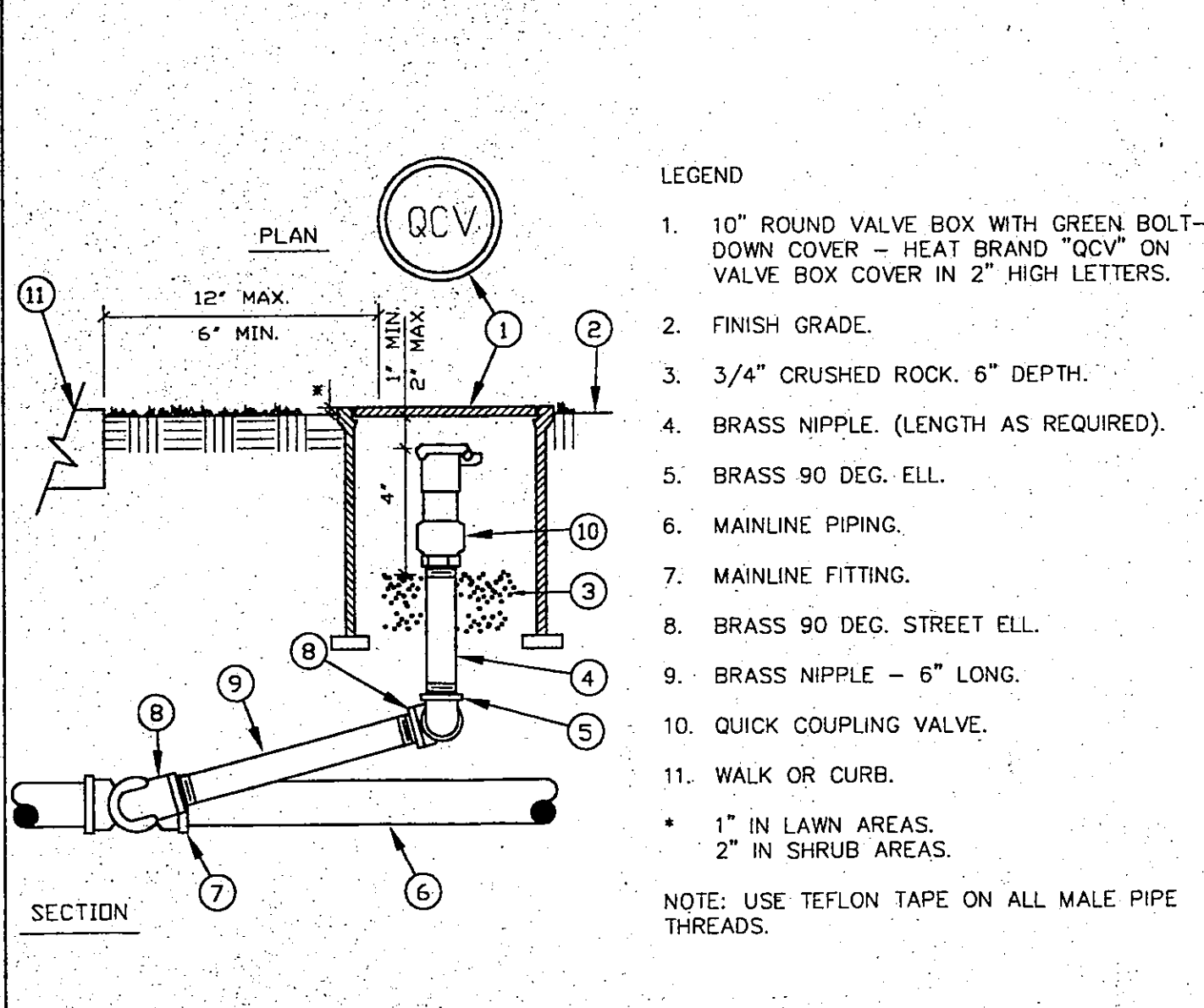
6 IRRIGATION MASTER VALVE



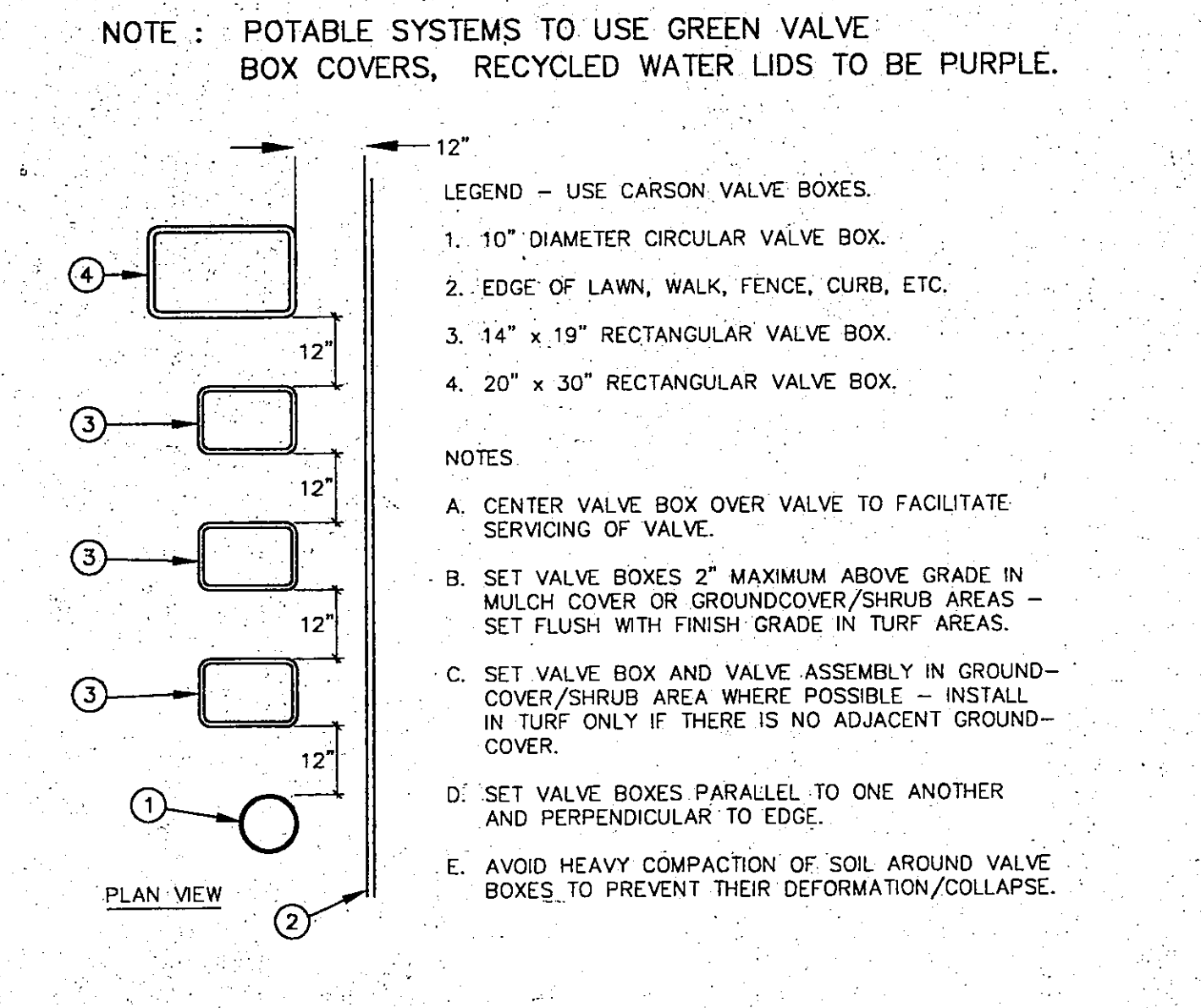
7 GATE VALVE



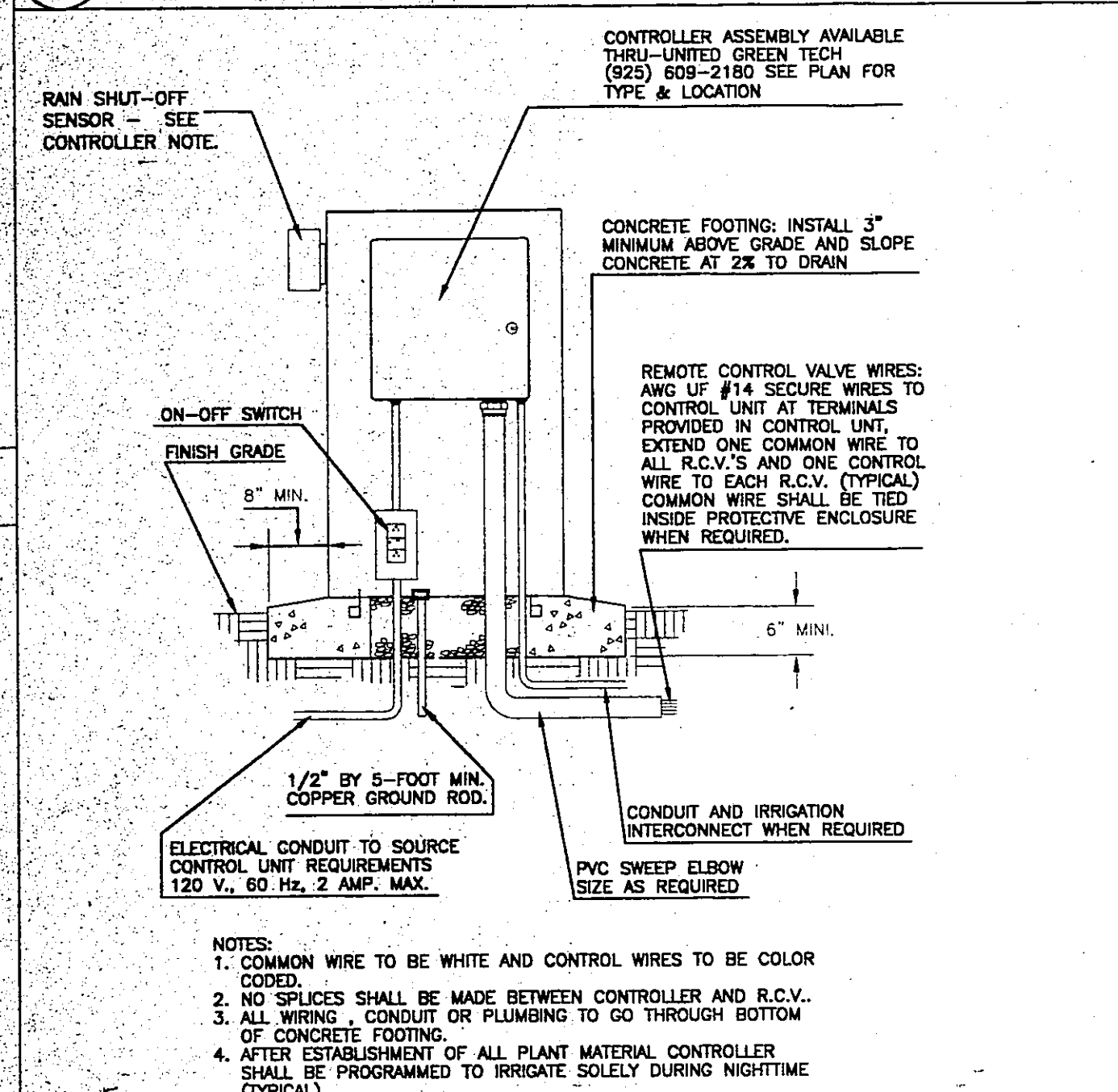
8 ELECTRIC CONTROL VALVE



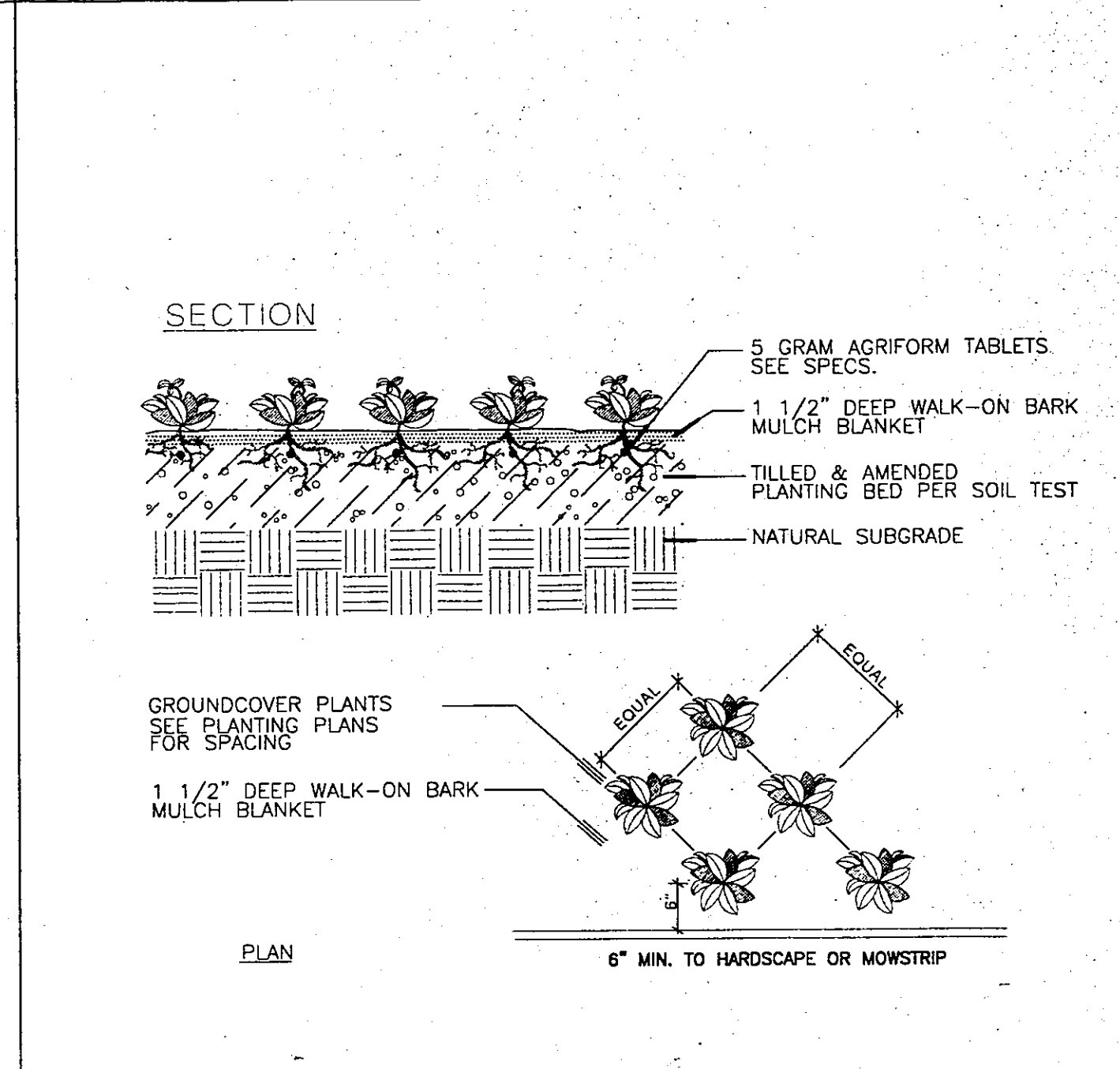
9 QUICK COUPLING VALVE - IN BOX



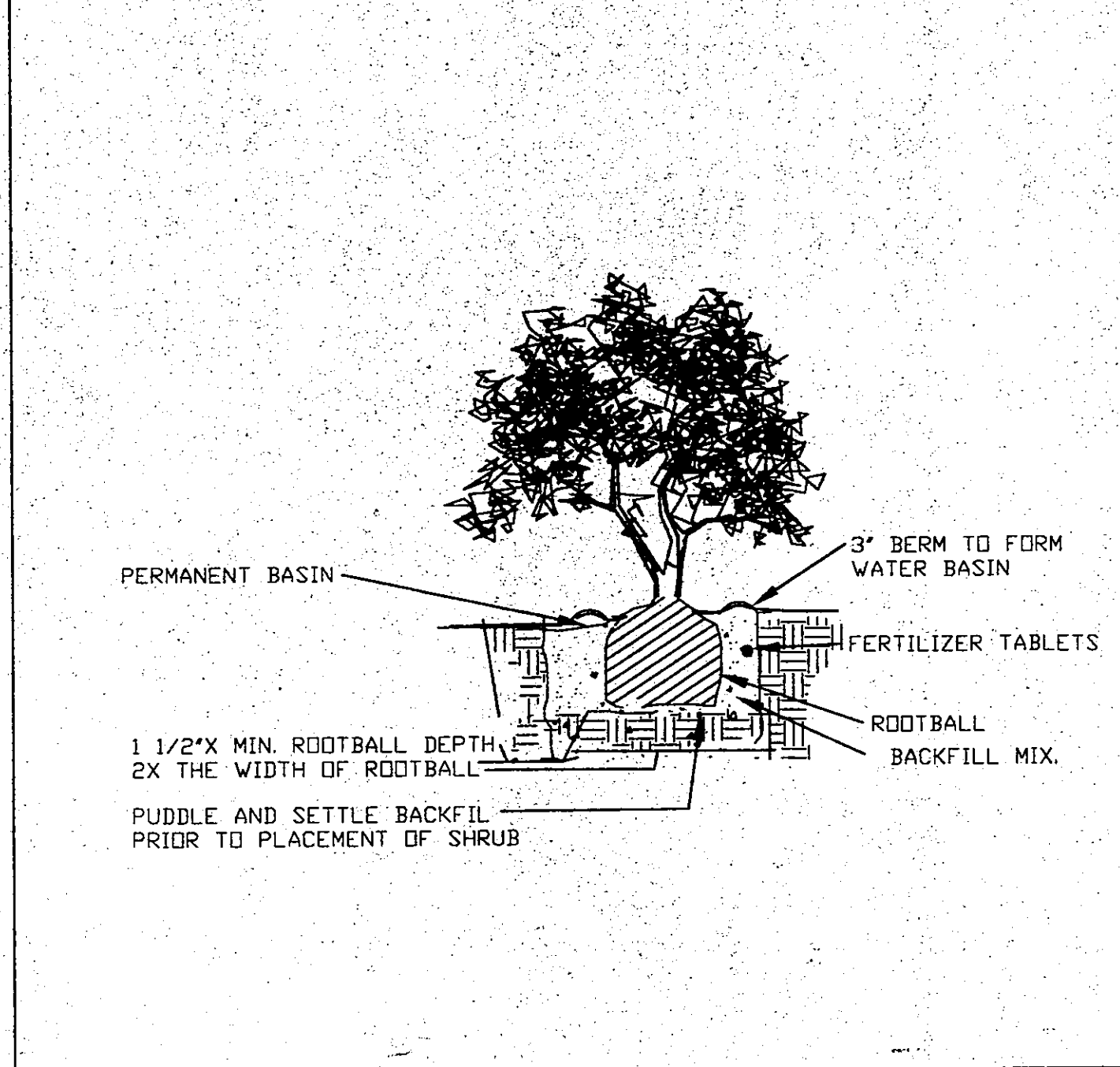
10 VALVE BOX INSTALLATION



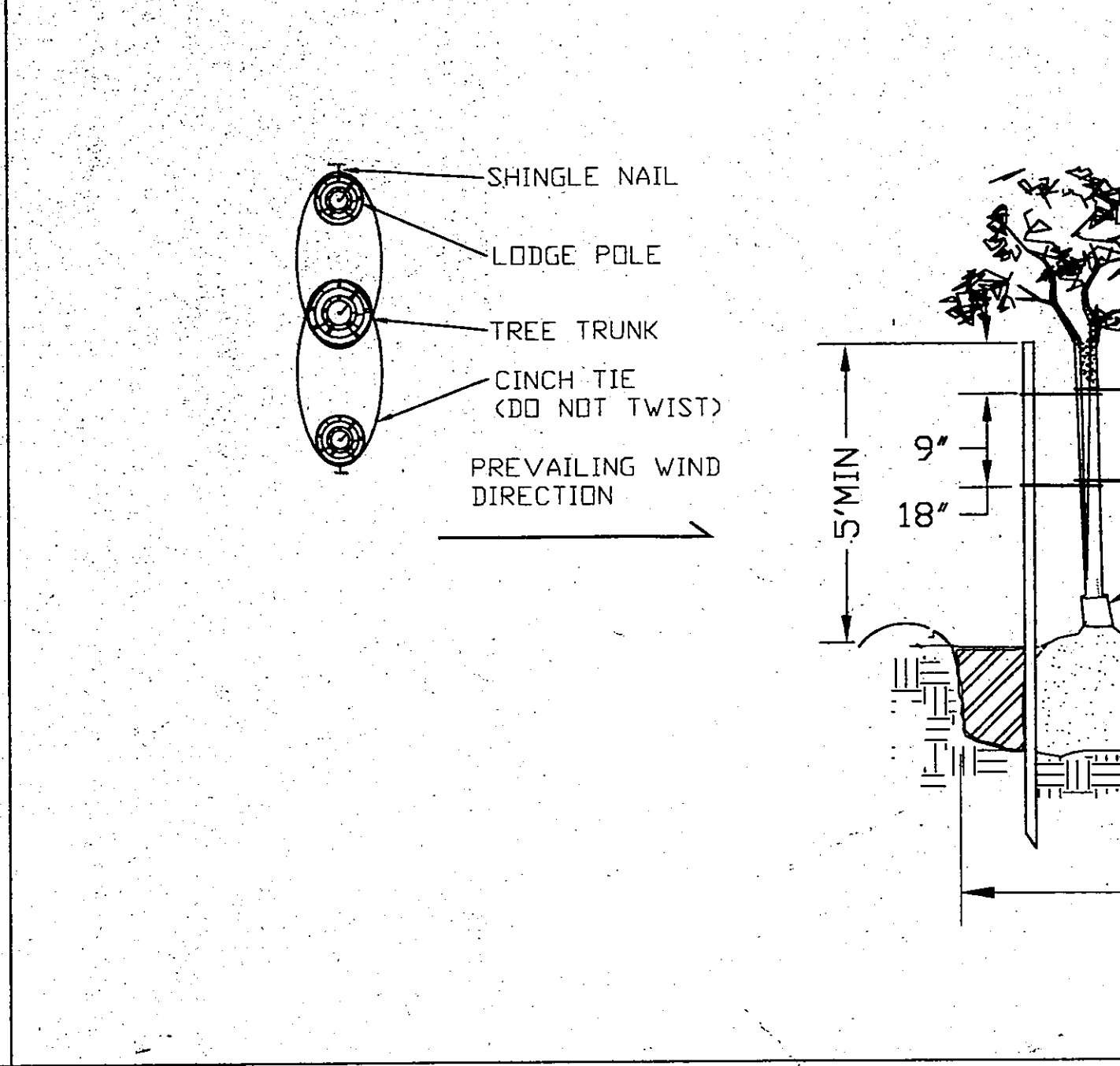
11 AUTOMATIC CONTROLLER



12 GROUNDCOVER PLANTING



13 SHRUB PLANTING



14 DOUBLE STAKE TREE PLANTING

Underground Service Alert
Call: TOLL FREE
1-800-422-4133
TWO WORKING DAYS BEFORE YOU DIG

BOB VICKS, P.E., ARCHITECT
1000 S. GARDEN ST., SUITE 100
PALM BEACH, FL 33480-4449
PH: 561-833-1111 FAX: 561-833-1112
ASSOCIATE ARCHITECT

THE LANDSCAPE ARCHITECTS
JON DAVID CICCHETTI
LANDSCAPE ARCHITECTS
2700 S. GARDEN ST., SUITE 100
PALM BEACH, FL 33480-4449
PH: 561-833-1111 FAX: 561-833-1112

JON DAVID CICCHETTI
LANDSCAPE ARCHITECTS
2700 S. GARDEN ST., SUITE 100
PALM BEACH, FL 33480-4449
PH: 561-833-1111 FAX: 561-833-1112

POINT VICENTE INTERPRETIVE
CENTER EXPANSION
31501 Palos Verdes Drive West
Rancho Palos Verdes, CA

Planting and
Irrigation Details

DRAWN
CHECKED
DATE
2.12.04
SCALE
1"=20'-0"
TOT. NO.
232
SHEET