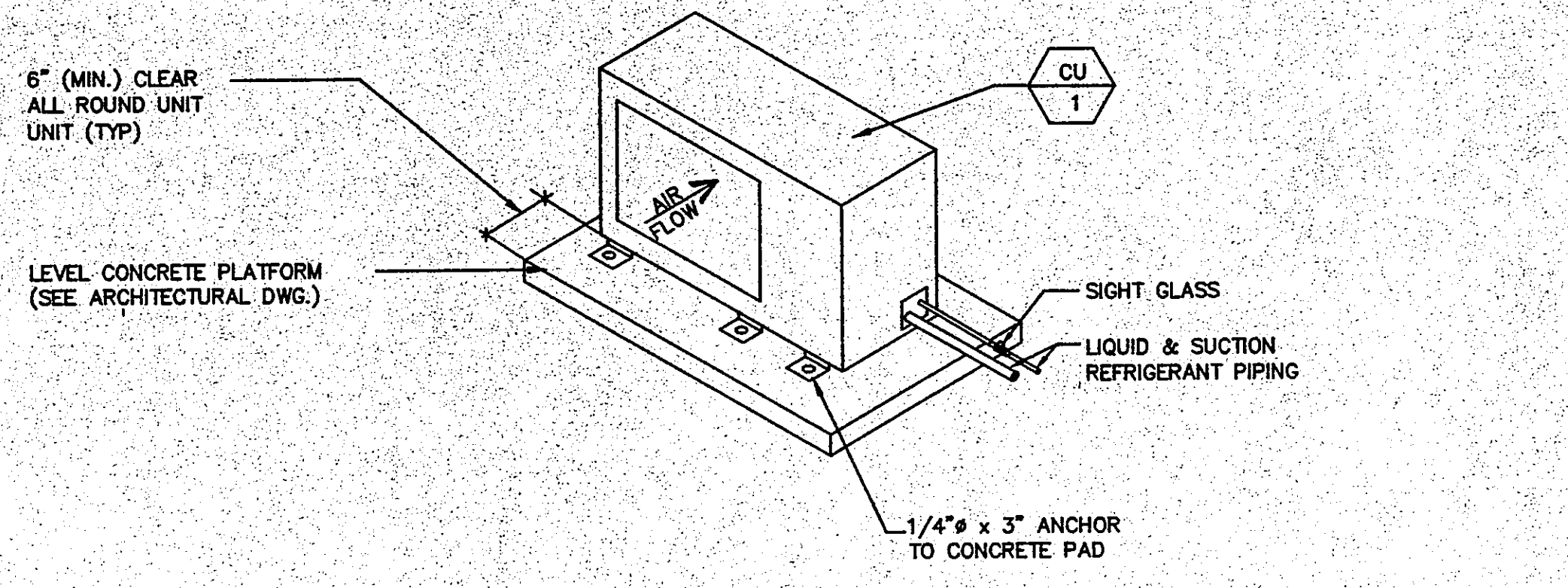
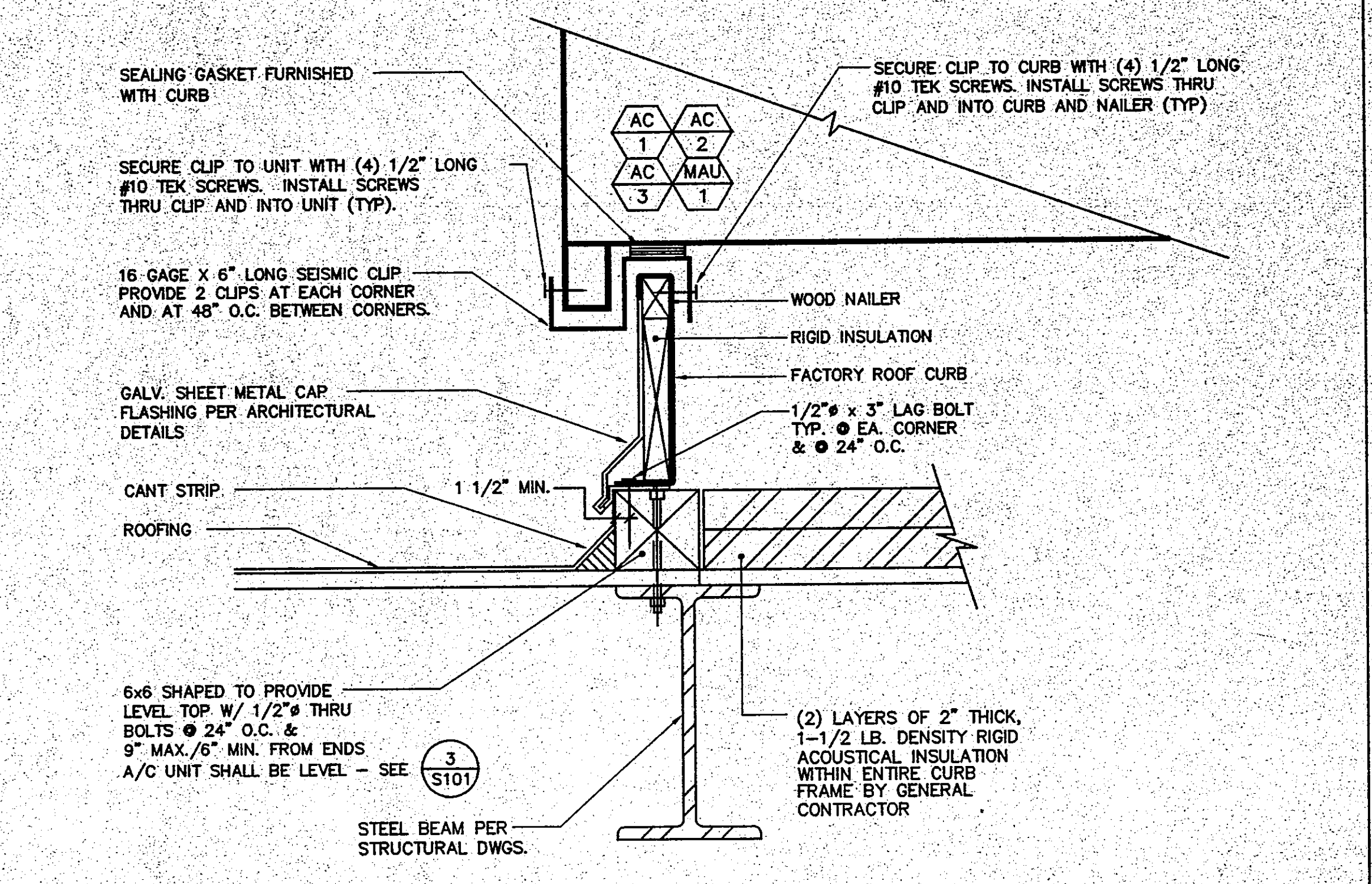


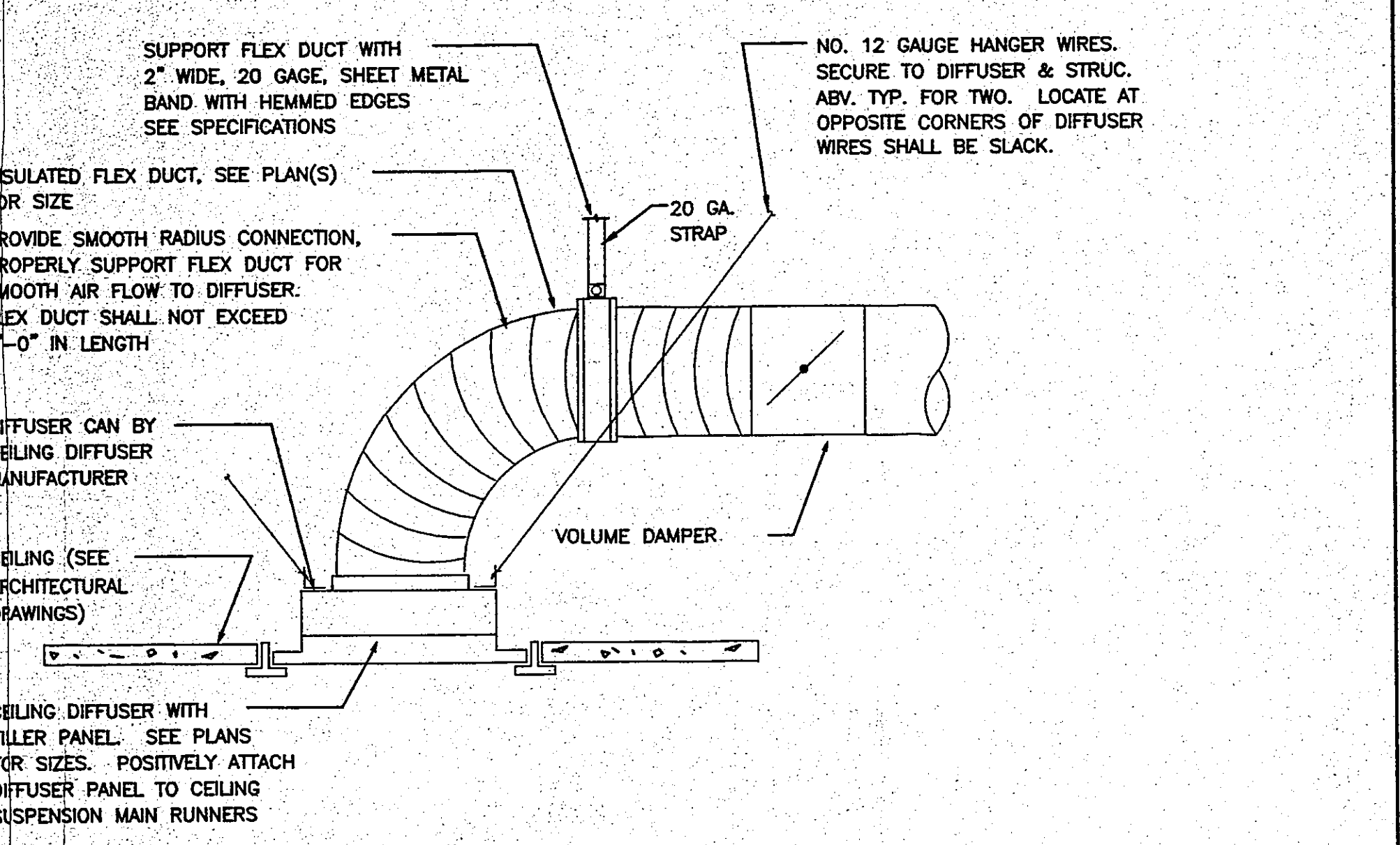
INDOOR FAN COIL UNIT MOUNTING DETAIL SCALE NONE **9**



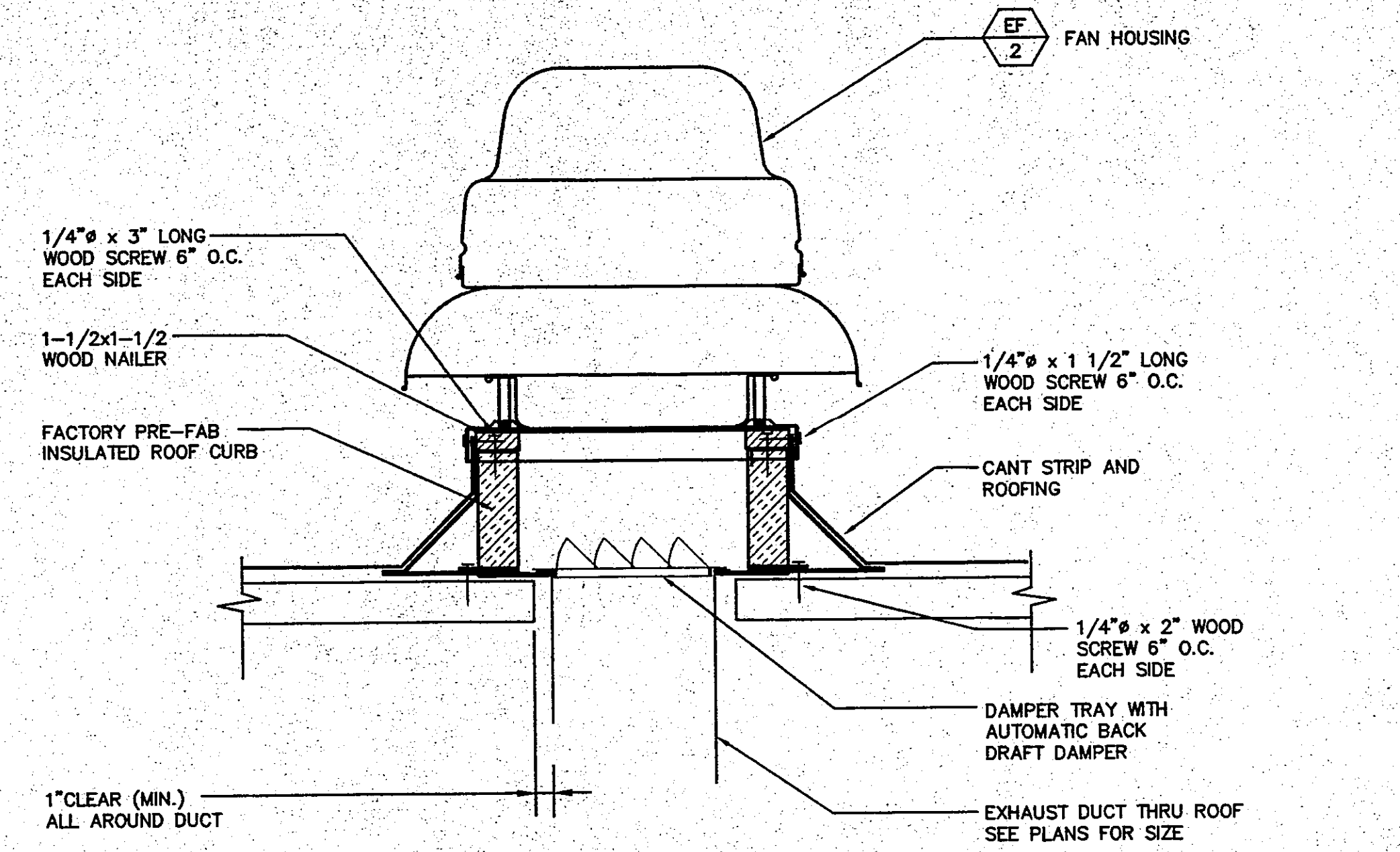
CONDENSING UNIT MOUNTING DETAIL SCALE NONE **6**



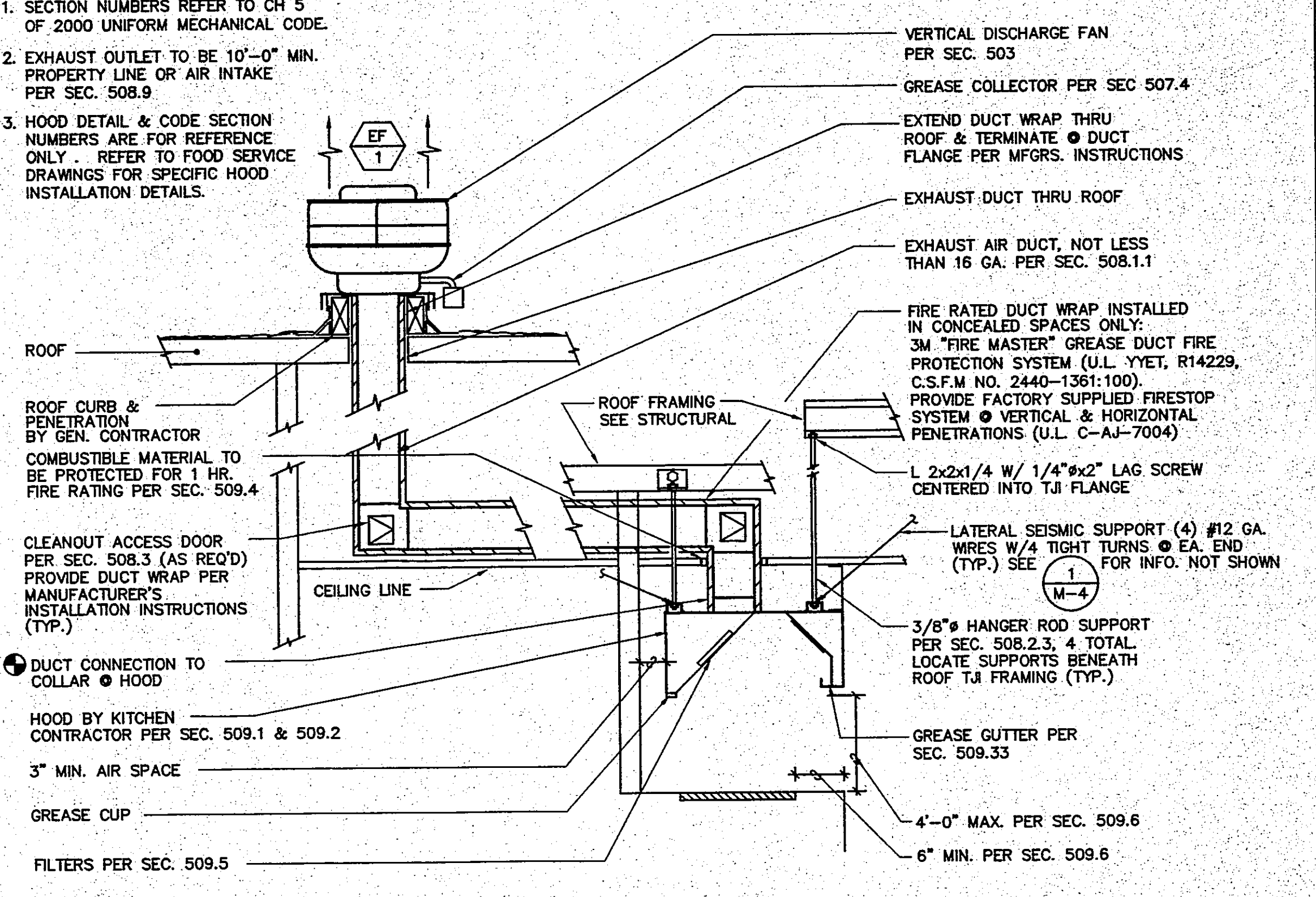
ROOF MOUNTED A/C UNIT SCALE NONE **3**



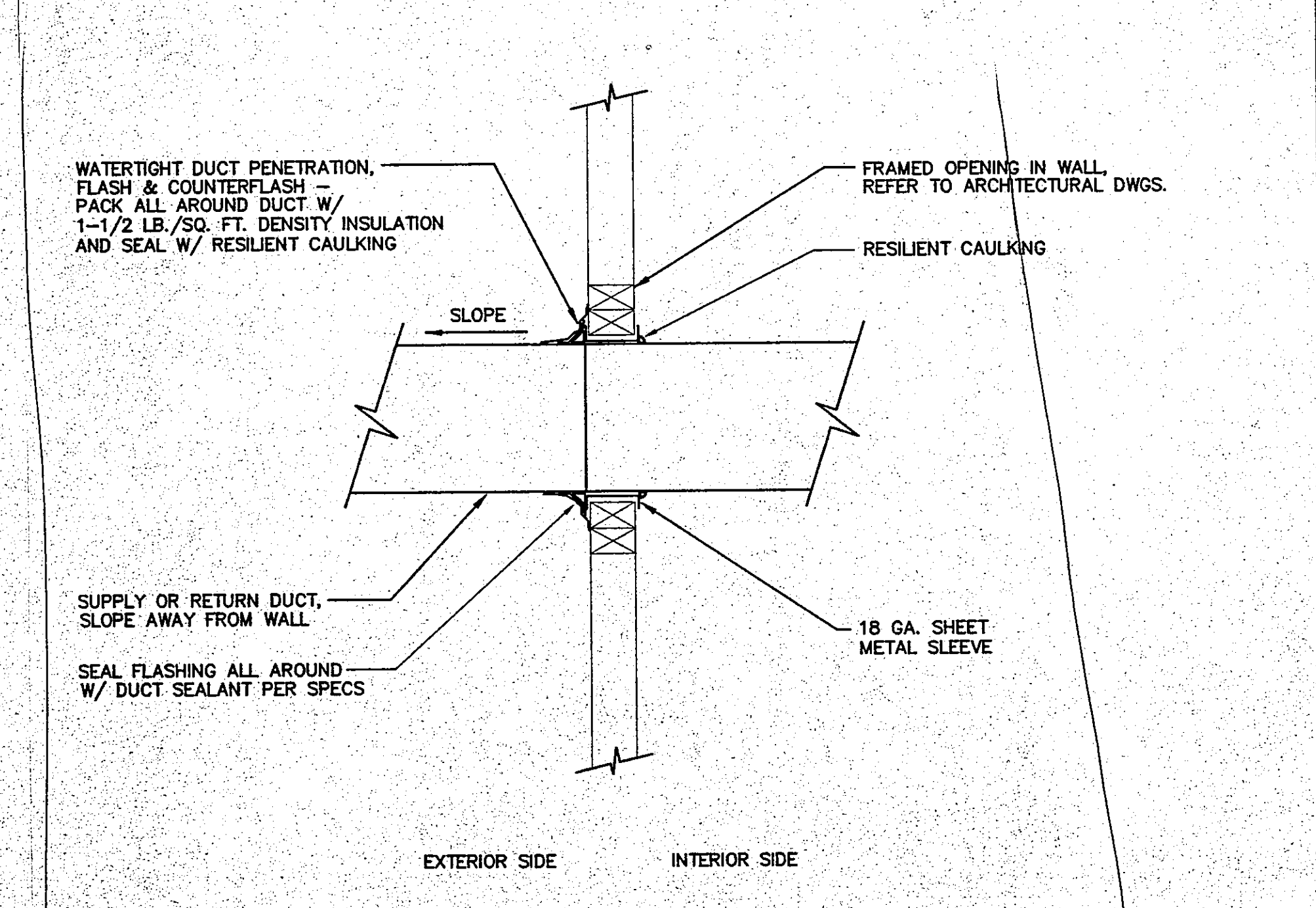
CEILING DIFFUSER MOUNTING DETAIL SCALE NONE **8**



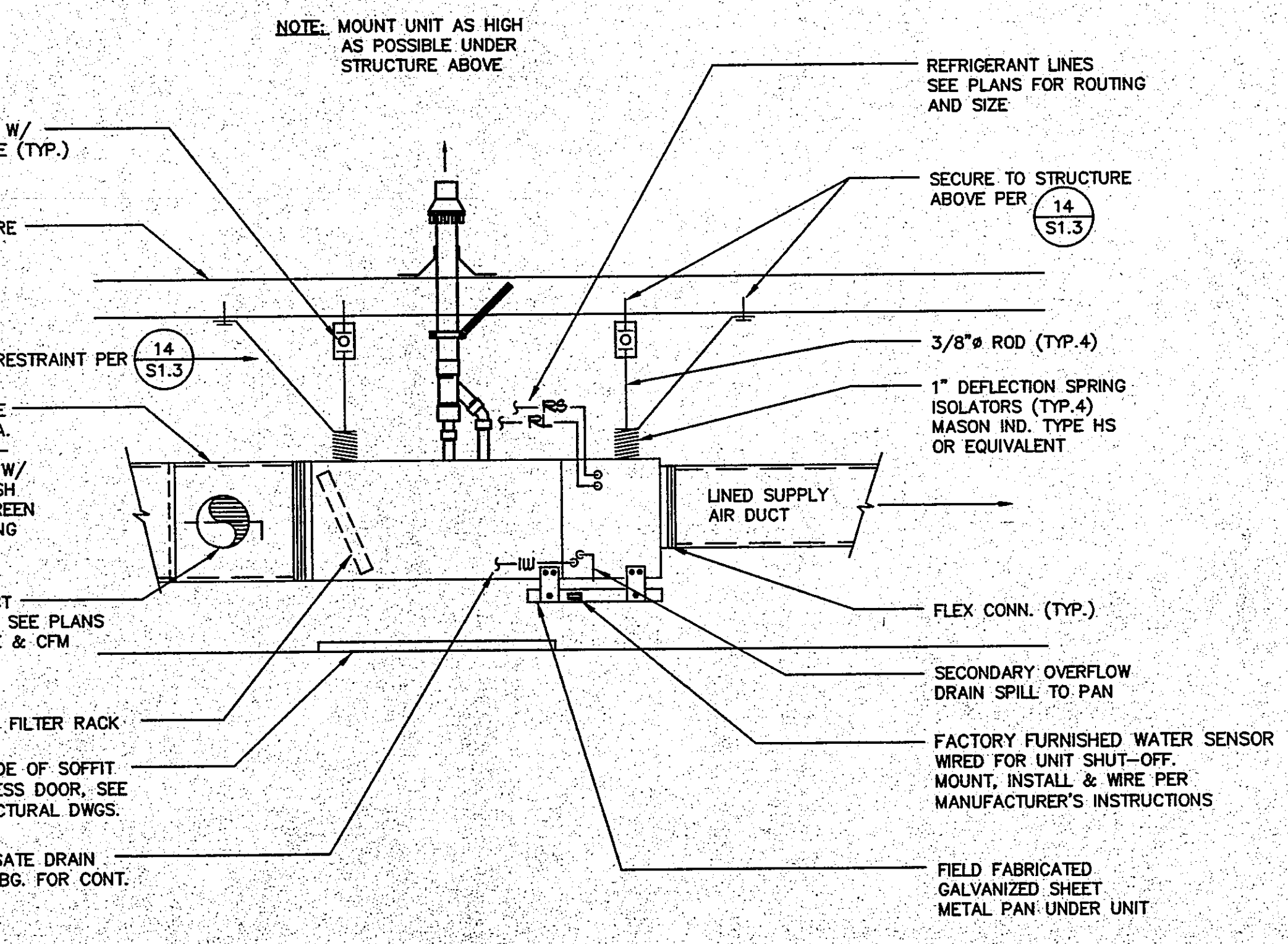
ROOF MOUNTED EXHAUST FAN DETAIL SCALE NONE **5**



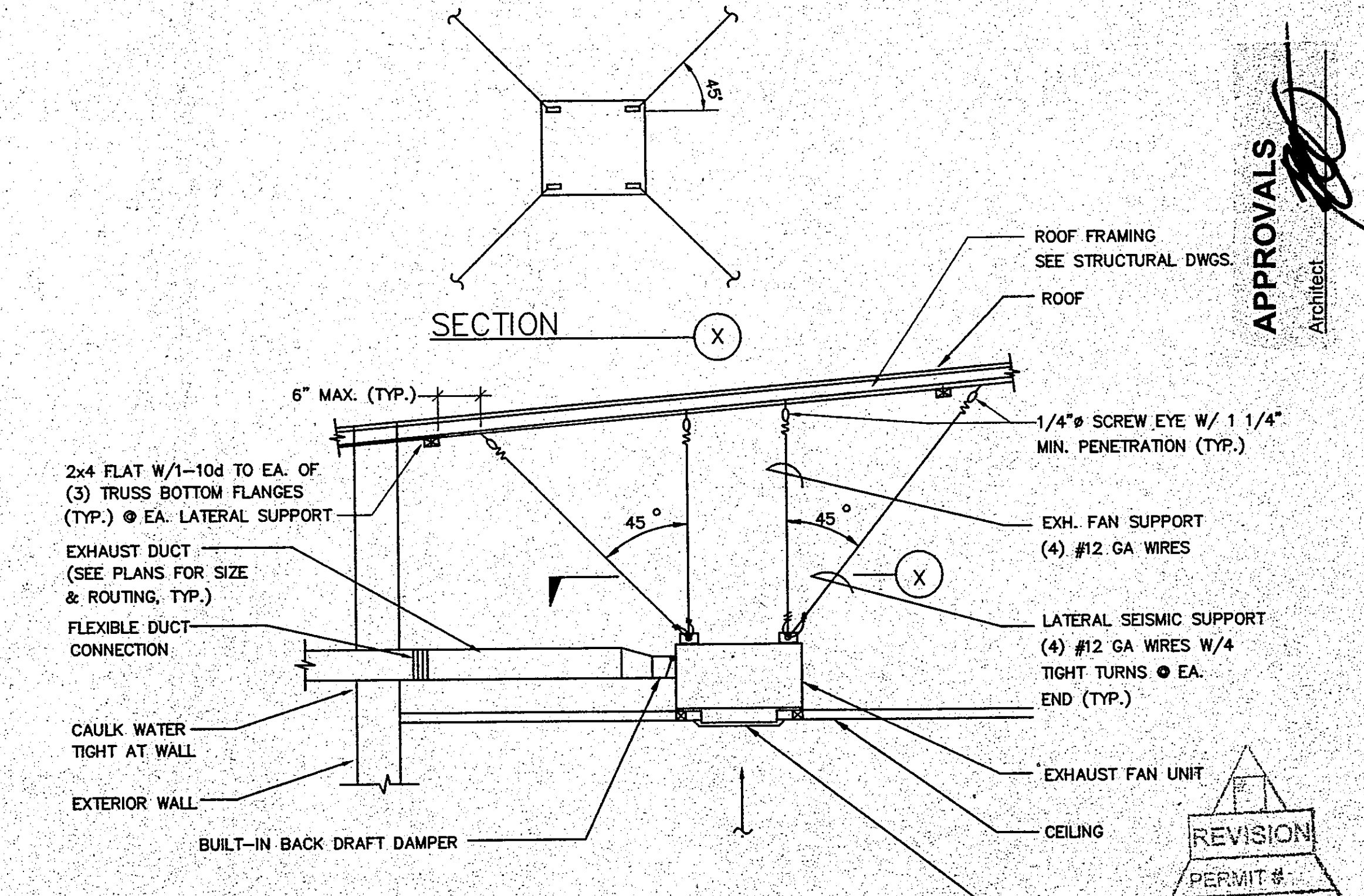
KITCHEN EXHAUST DUCT & HOOD DETAIL SCALE NONE **2**



DUCT THRU WALL DETAIL SCALE NONE **7**



HORIZONTAL FURNACE W/ COOLING COIL SCALE NONE **4**



CEILING MOUNTED EXHAUST FAN DETAIL SCALE NONE **1**

POINT VICENTE INTERPRETIVE CENTER EXPANSION
 31501 Palos Verdes Drive West
 Rancho Palos Verdes, CA

REVISED PER STATE OF CALIFORNIA PERMITS
 6/30/05

PLANS PREPARED BY:
ETA
 ENGINEERING & ARCHITECTURE
 10000 Wilshire Blvd, Suite 1000
 Beverly Hills, CA 90210
 Tel: 310-772-7777
 Fax: 310-772-7778

REGISTERED PROFESSIONAL ENGINEER
 STATE OF CALIFORNIA
 No. 44767
 Mechanical

POINT VICENTE INTERPRETIVE CENTER EXPANSION
 31501 Palos Verdes Drive West
 Rancho Palos Verdes, CA

Mechanical Details

APPROVALS
 Architect

REVISION PERMIT# APPROVED

DESIGN CHECKED BY
 DATE 2/17/99
 TITLE NONE
 JOB NO. 97-123
 SHEET
M-4
 FEB 23 2004
 61 OF 69 SHEETS

11/10/03