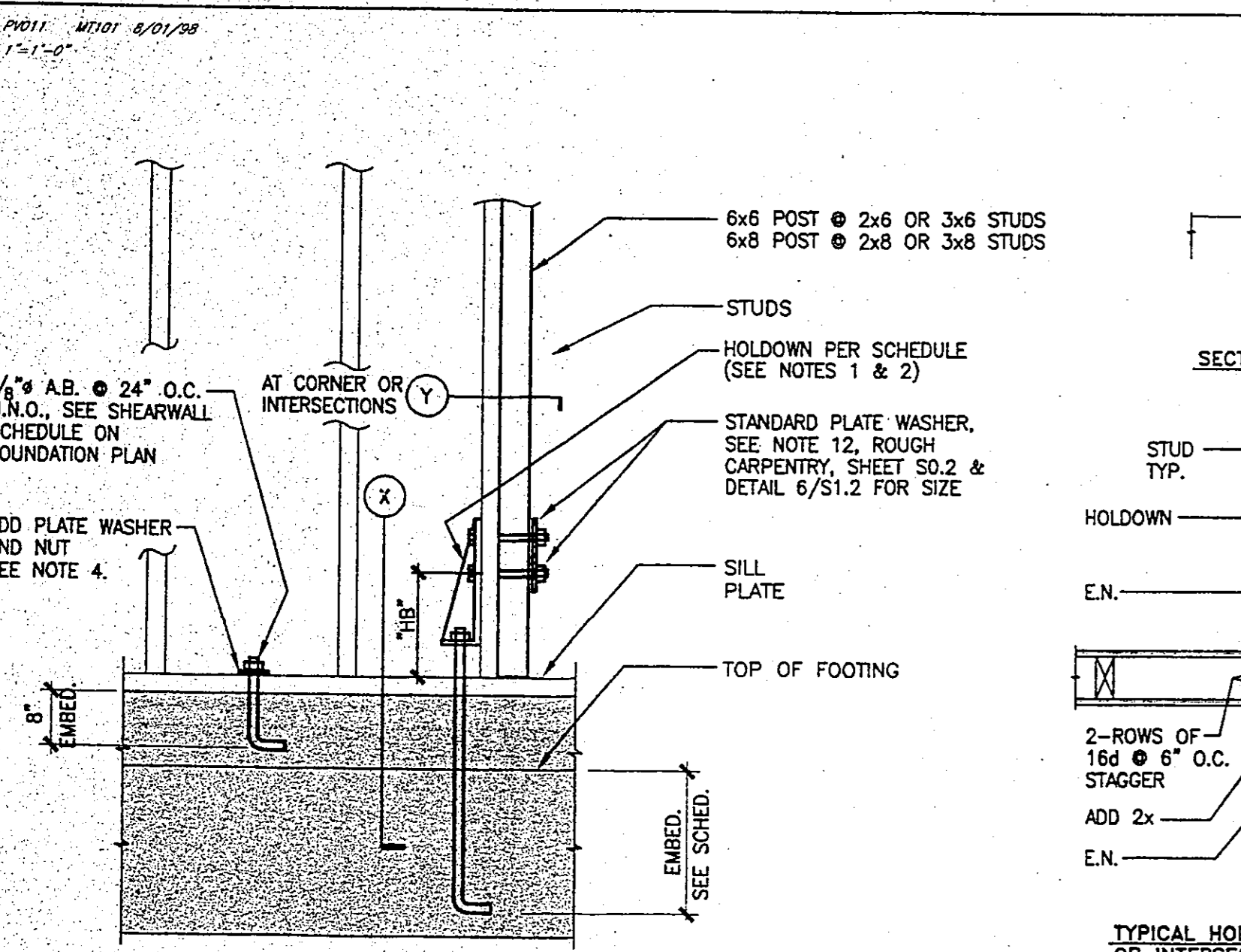


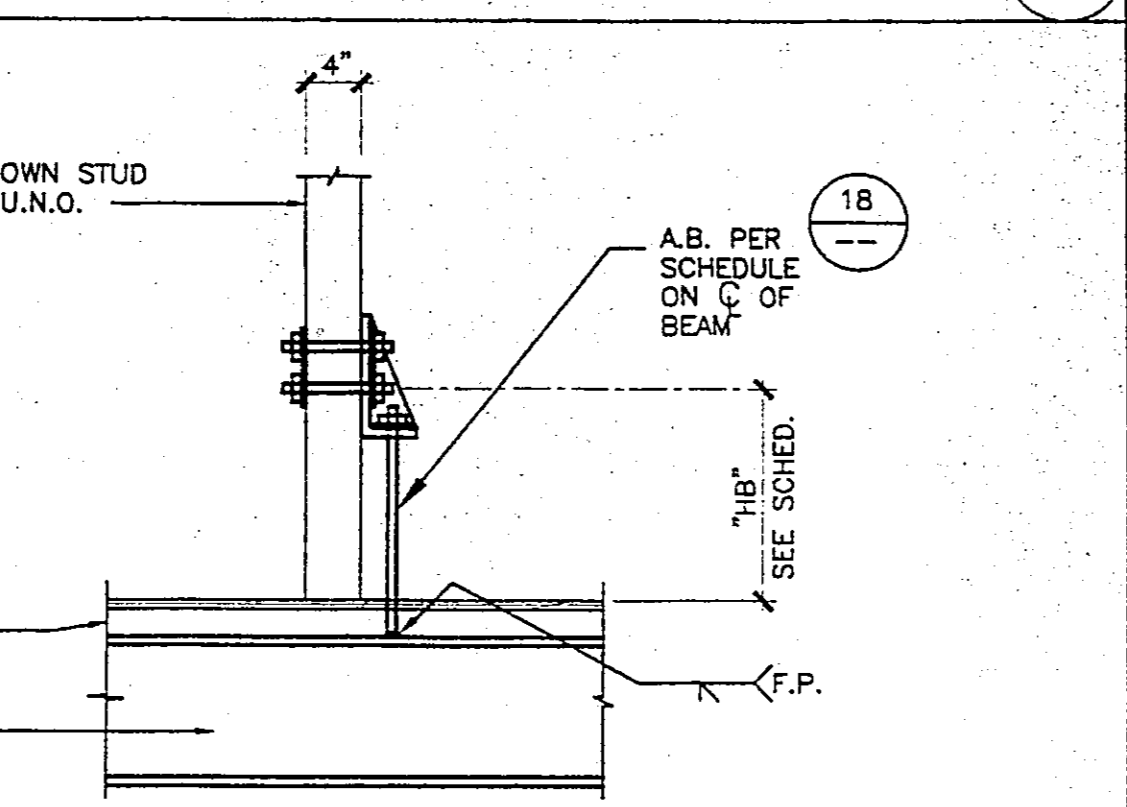
TYPICAL SHEARWALL ELEVATION



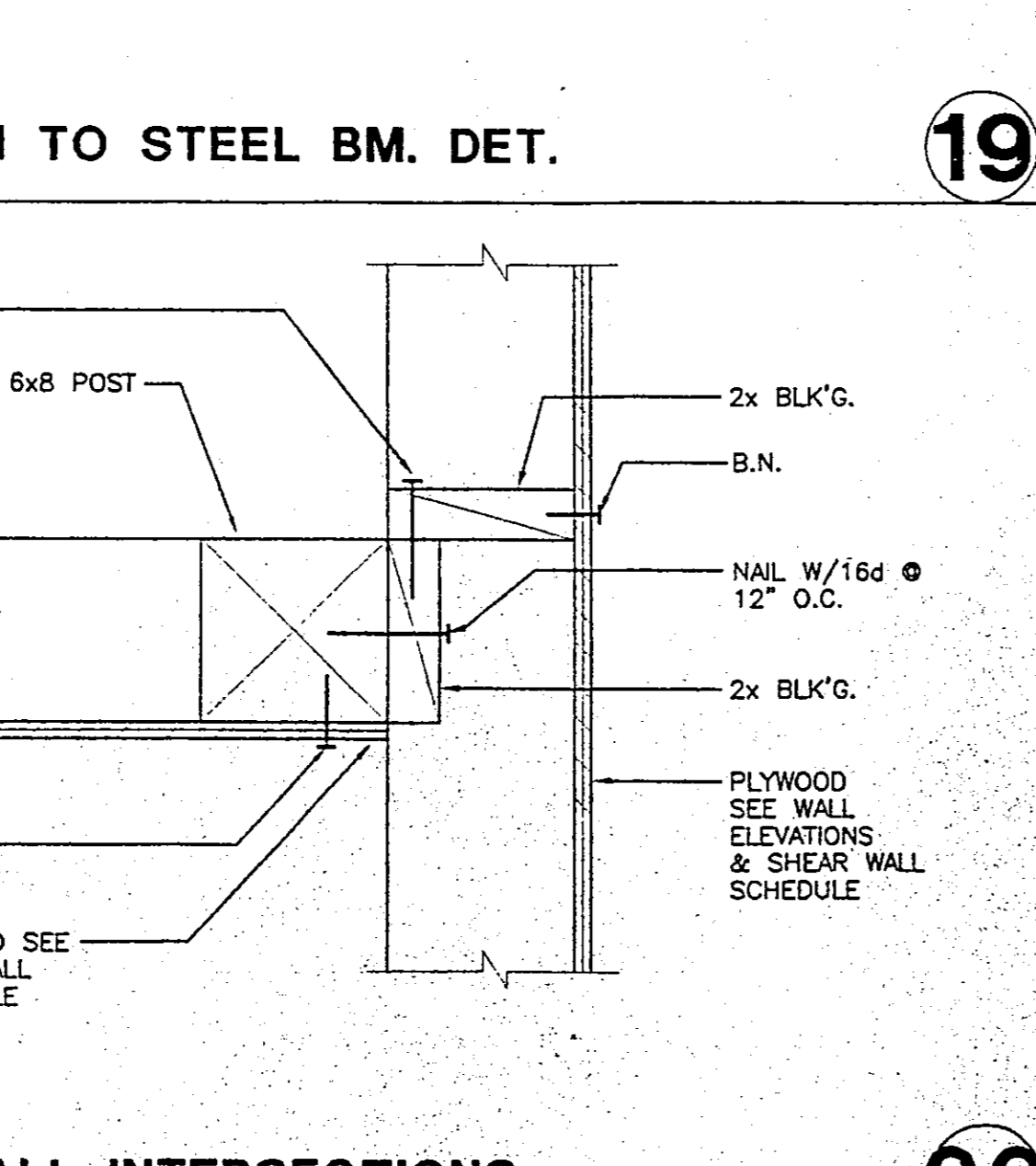
TYPICAL HOLDOWN ANCHORS AND SILL BOLT DETAIL AT SHEARWALLS

HOLDOWN SCHEDULE

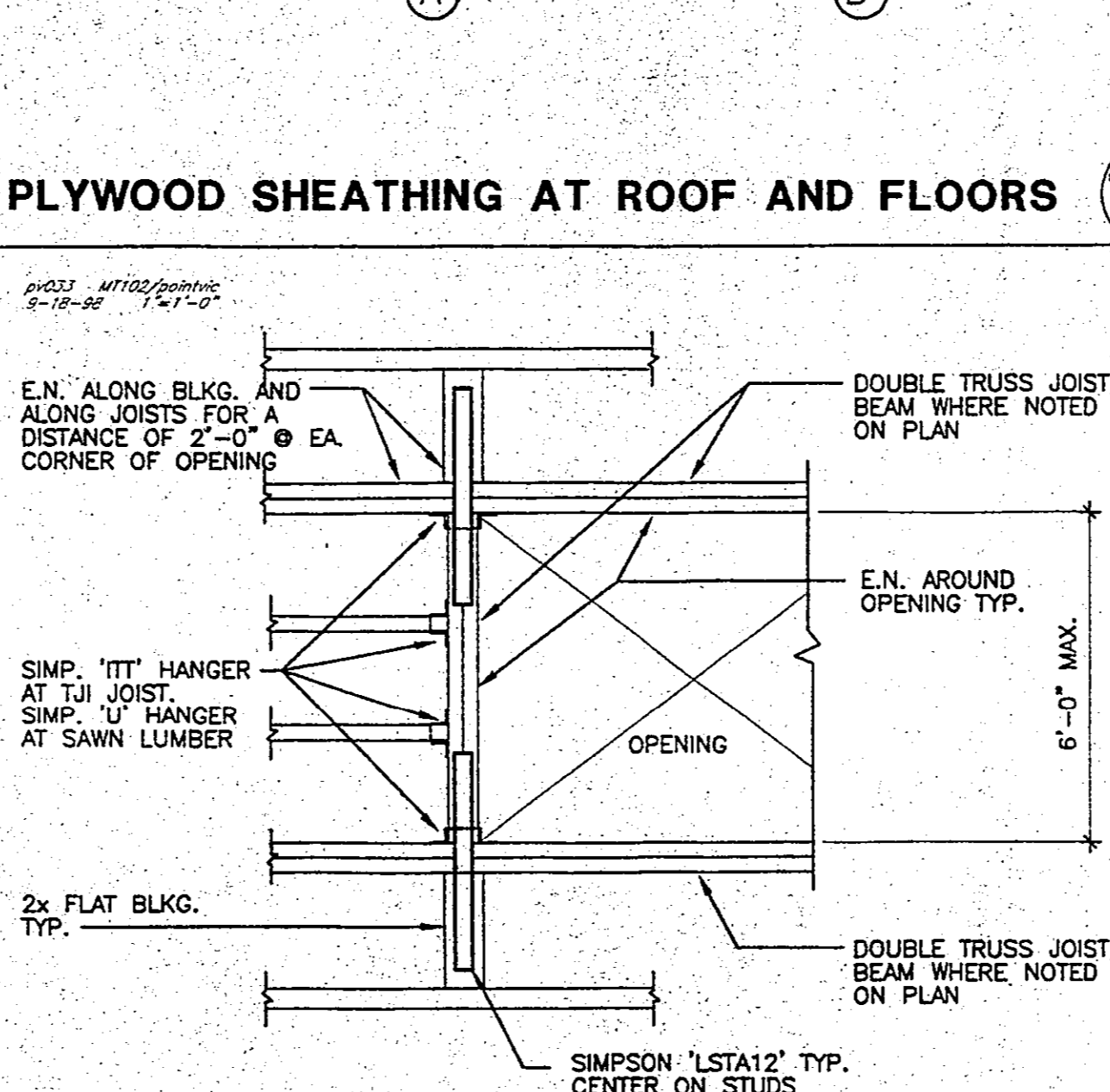
MARK	STUD BOLTS	"H"	EMBED
HD2	2-3/8"	4-3/8"	11"
HD5	2-3/4"	5-1/4"	1'-1"
HD6	3-3/4"	5-1/4"	1'-3"
HD7	3-7/8"	6-1/8"	1'-4"
HD9	3-1"	7"	1'-4"
HD12	4-1"	7"	1'-4"
HD15	5-1"	7"	1'-6"



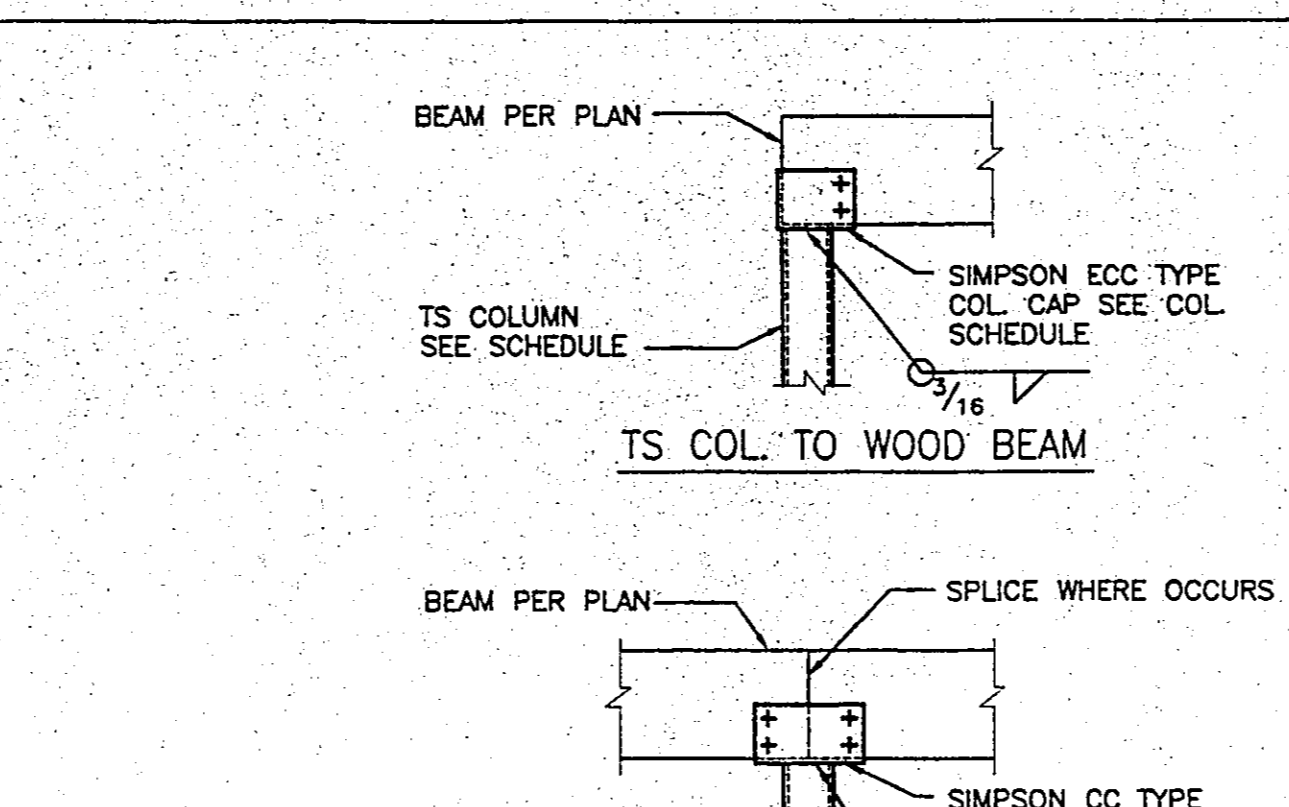
HOLDOWN TO STEEL BM. DET.



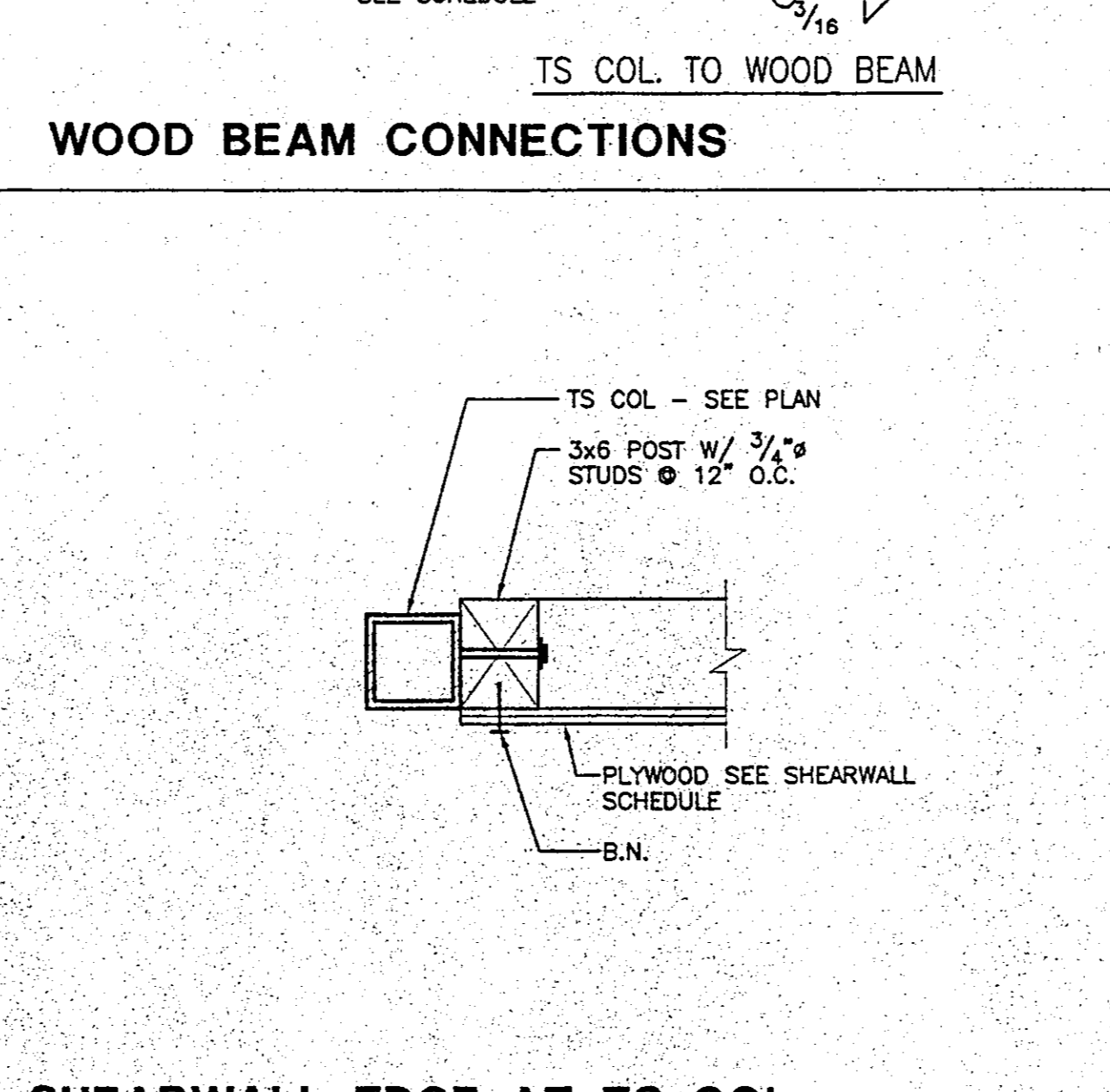
SHEARWALL INTERSECTIONS



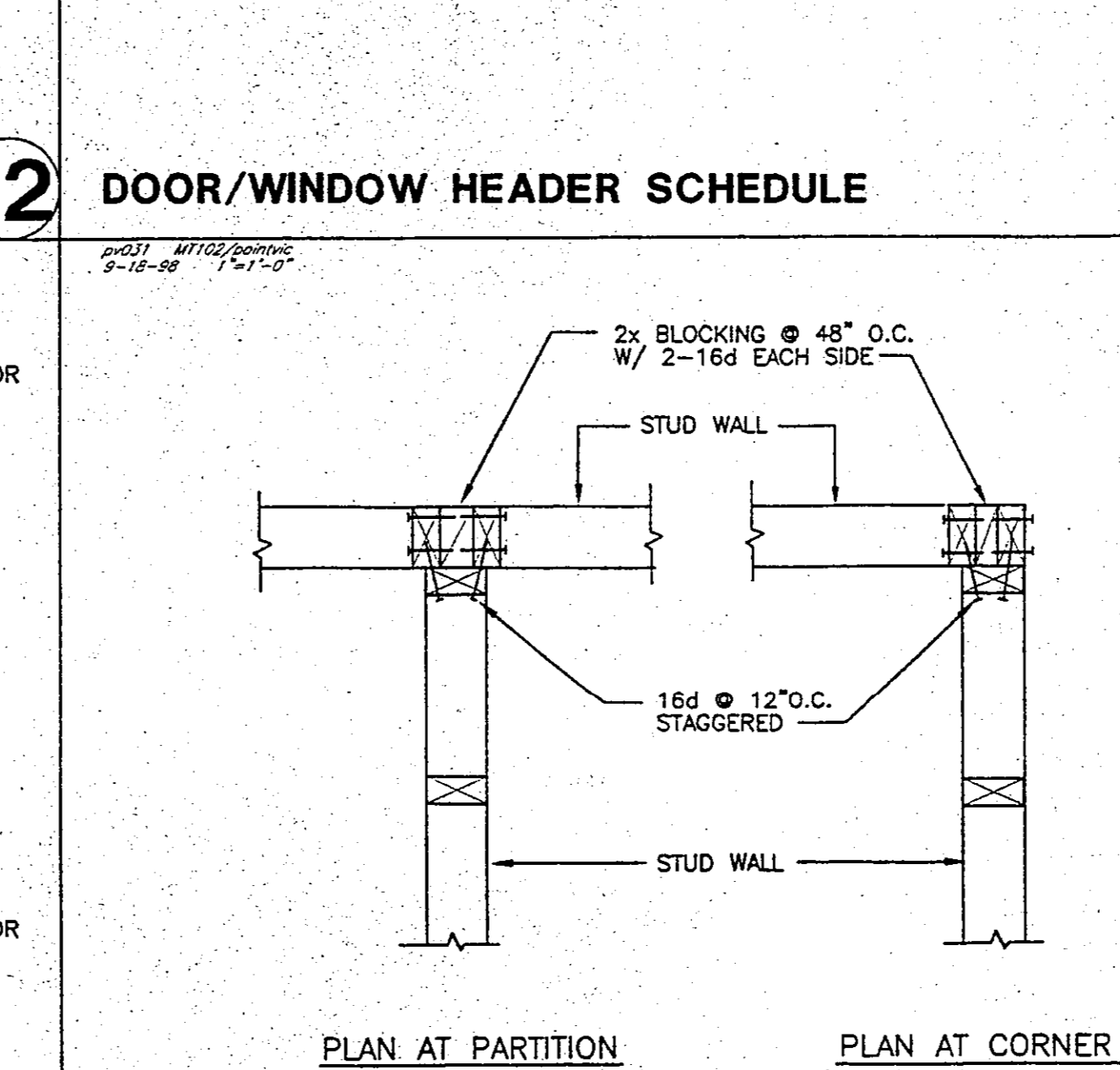
FRAMED OPENING IN FLOOR OR ROOF



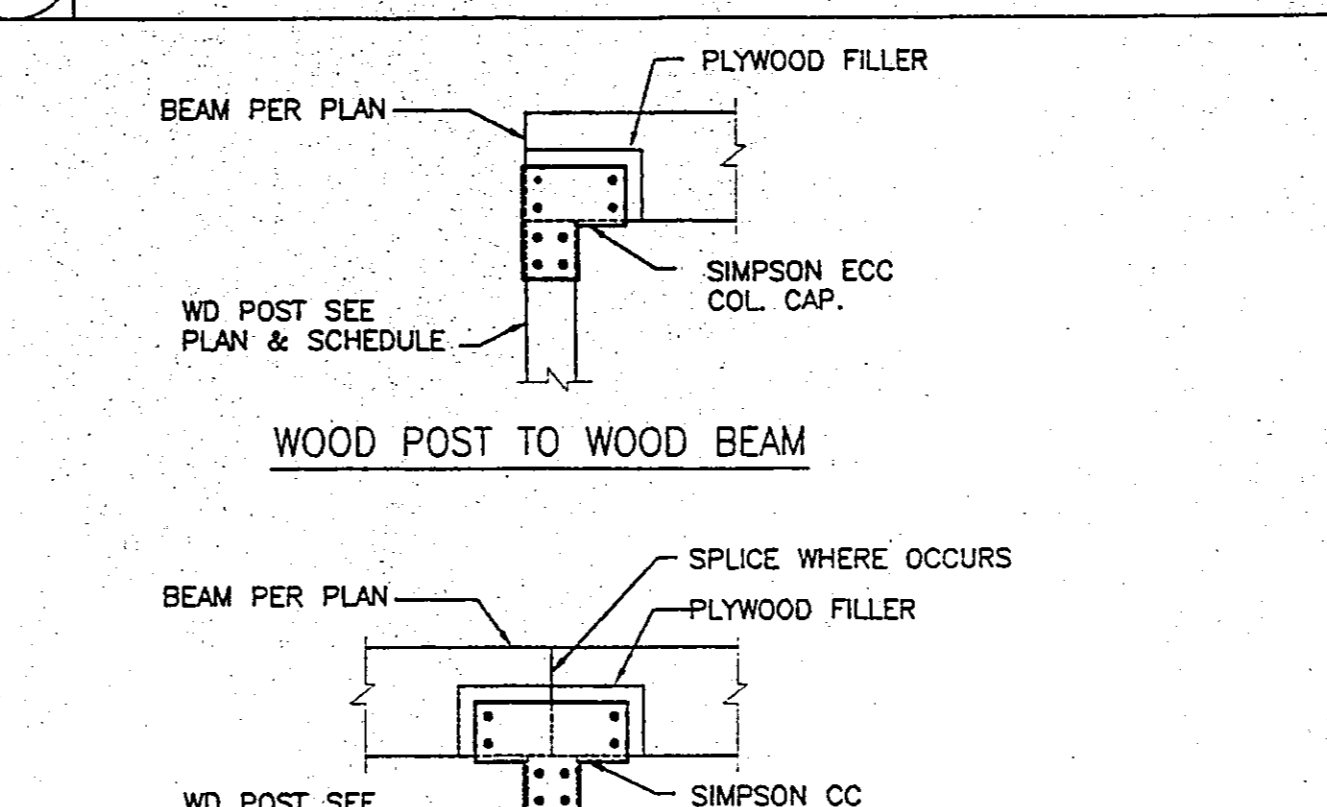
WOOD BEAM CONNECTIONS



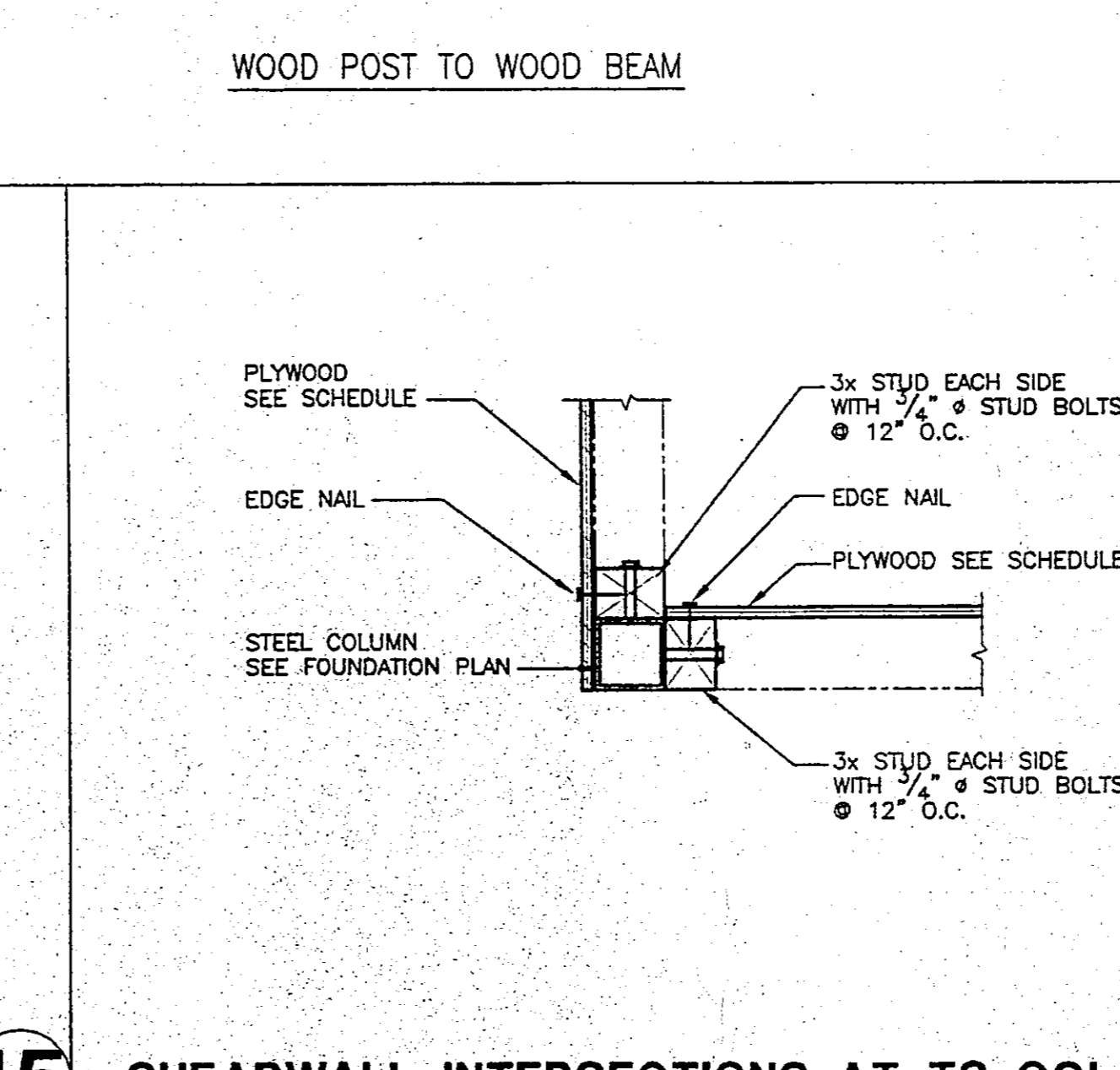
SHEARWALL EDGE AT TS COL.



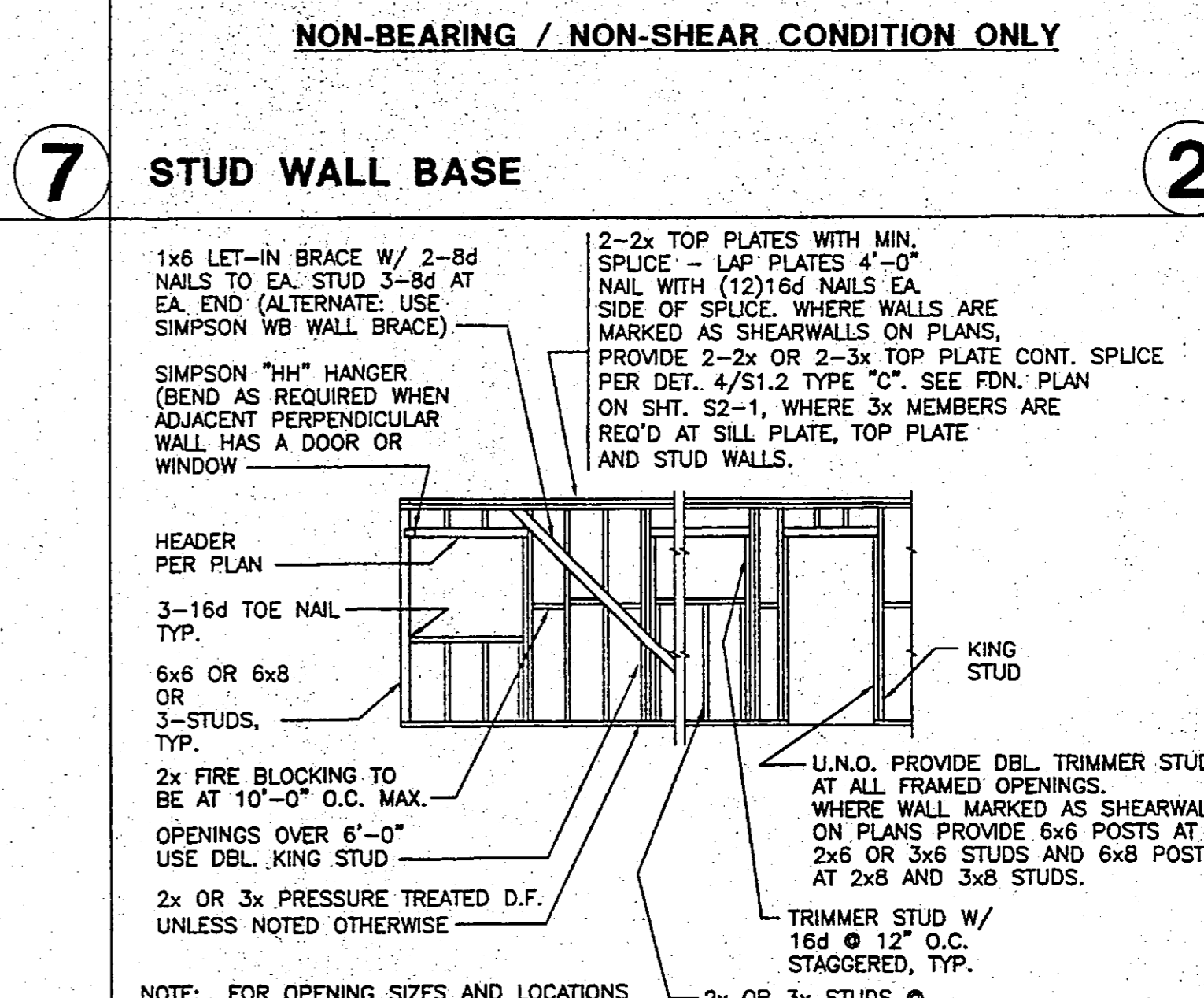
STUD WALL FRAMING AT INTERSECTIONS



WOOD POST TO WOOD BEAM



SHEARWALL INTERSECTIONS AT TS COL.

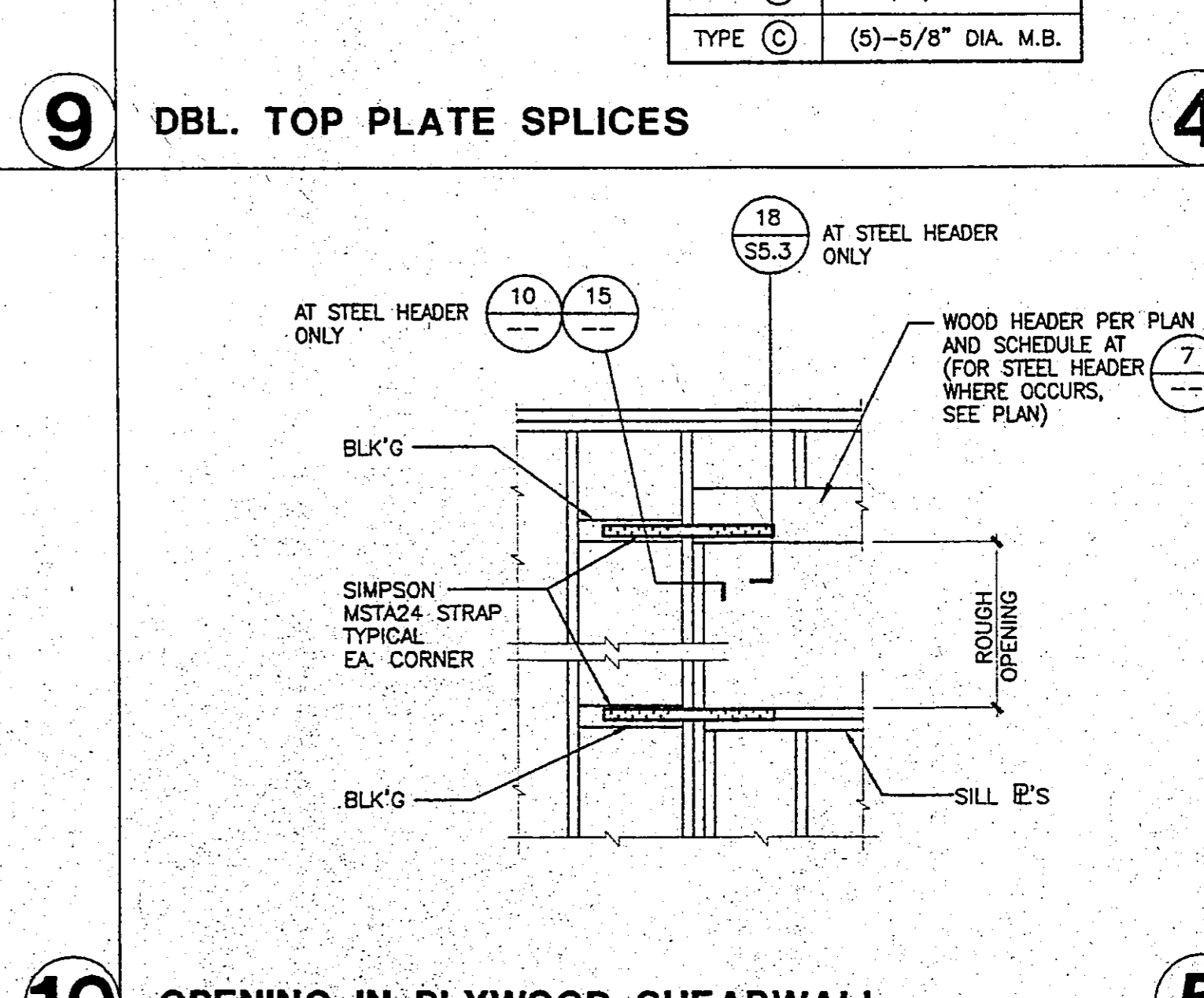


DBL. TOP PLATE SPLICES

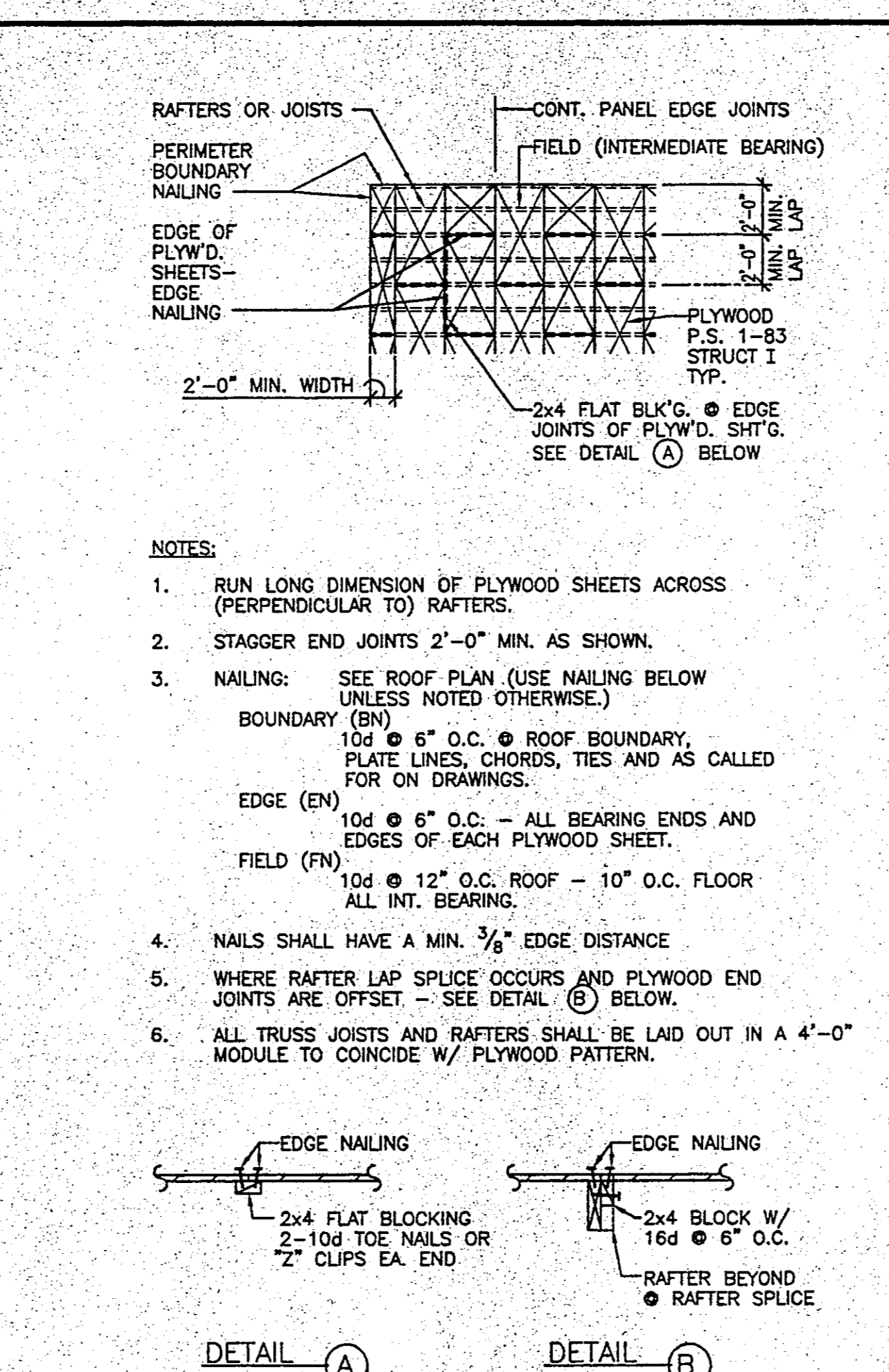
CONNECTION EA. SIDE OF SPLICE

MIN. SPACING	'A' SPAC.	'B' SPAC.	CONNECTION	EA. SIDE OF SPLICE
16d NAIL	2"	1 3/4"	TYPE (T)	(12)-16d
1/2" DIA. M.B.	4"	3"	TYPE (A)	(16)-16d
			TYPE (B)	(20)-16d
			TYPE (C)	(5)-5/8" DIA. M.B.

DBL. TOP PLATE SPLICES



OPENING IN PLYWOOD SHEARWALL

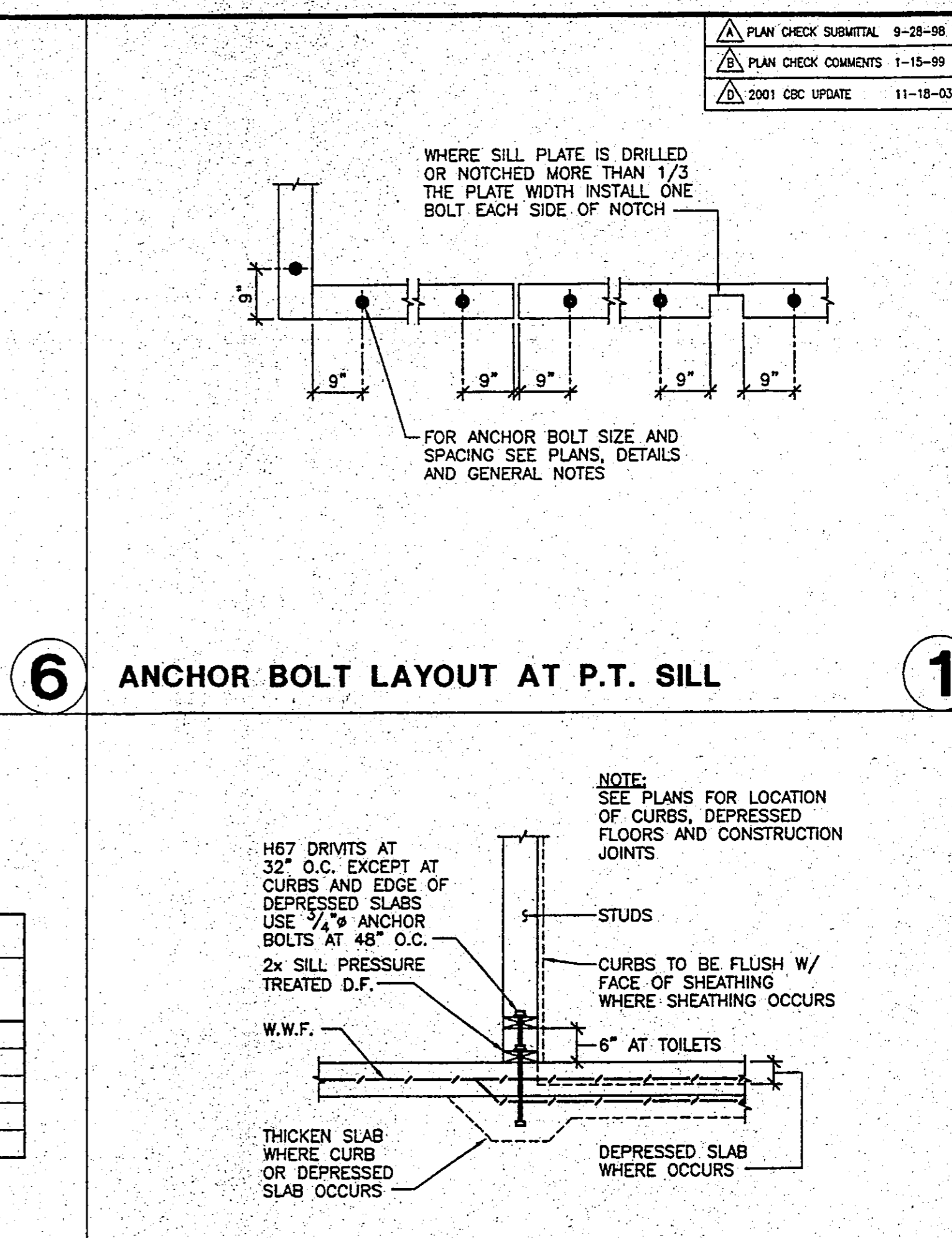


PLYWOOD SHEATHING AT ROOF AND FLOORS

WASHER SCHEDULE

BOLT SIZE	STEEL WASHERS SQUARE	MALLEABLE IRON WASHERS ROUND	MALLEABLE IRON WASHERS SQUARE
1/2"	2 1/2 x 1/4"	2 1/2 x 1/4"	2 1/4 x 1/4"
3/8"	2 1/2 x 1/4"	2 1/2 x 1/4"	2 1/2 x 2 1/2 x 1/4"
3/4"	3 x 1/4"	3 x 1/8"	3 x 1/8"
7/8"	3 1/2 x 3/16"	3 1/2 x 3/16"	3 1/2 x 3 1/2 x 3/16"
1"	4 x 3/8"	4 x 1/8"	4 x 1/2"

WASHER SCHEDULE



ANCHOR BOLT LAYOUT AT P.T. SILL

ABS Consulting
 ESE Structural Engineers Division
 300 Commerce Drive, Suite 300
 Irvine, CA 92610-5000 USA
 Phone: (714) 774-4924
 Fax: (714) 734-4922

POINT VICENTE INTERPRETIVE CENTER EXPANSION
 31501 Palms Verdes Drive West
 Rancho Palms Verdes, CA

TYPICAL DETAILS

DRAWN: DW
 CHECKED: SM
 DATE:
 SCALE:
 JOB NO.: 20534/1
 SHEET: S1.2

37 OF 69 SHEETS