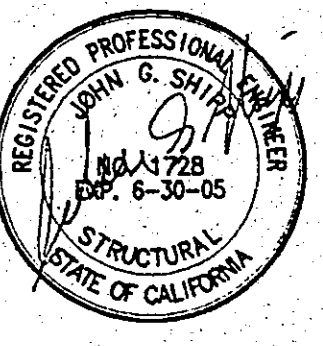


PLAN CHECK SUBMITAL	9-28-98
PLAN CHECK COMMENTS	1-15-99
COORDINATION	9-7-99
2001 CBC UPDATE	11-18-03

**RON YEO, FAIA ARCHITECT, INC.**  
 500 JASMINE AVENUE, CORONA DEL MAR  
 CALIFORNIA 92625 P949-644-8111 F949-644-0449  
 PATRICK MARR, AIA, PE, ASSOCIATE ARCHITECT



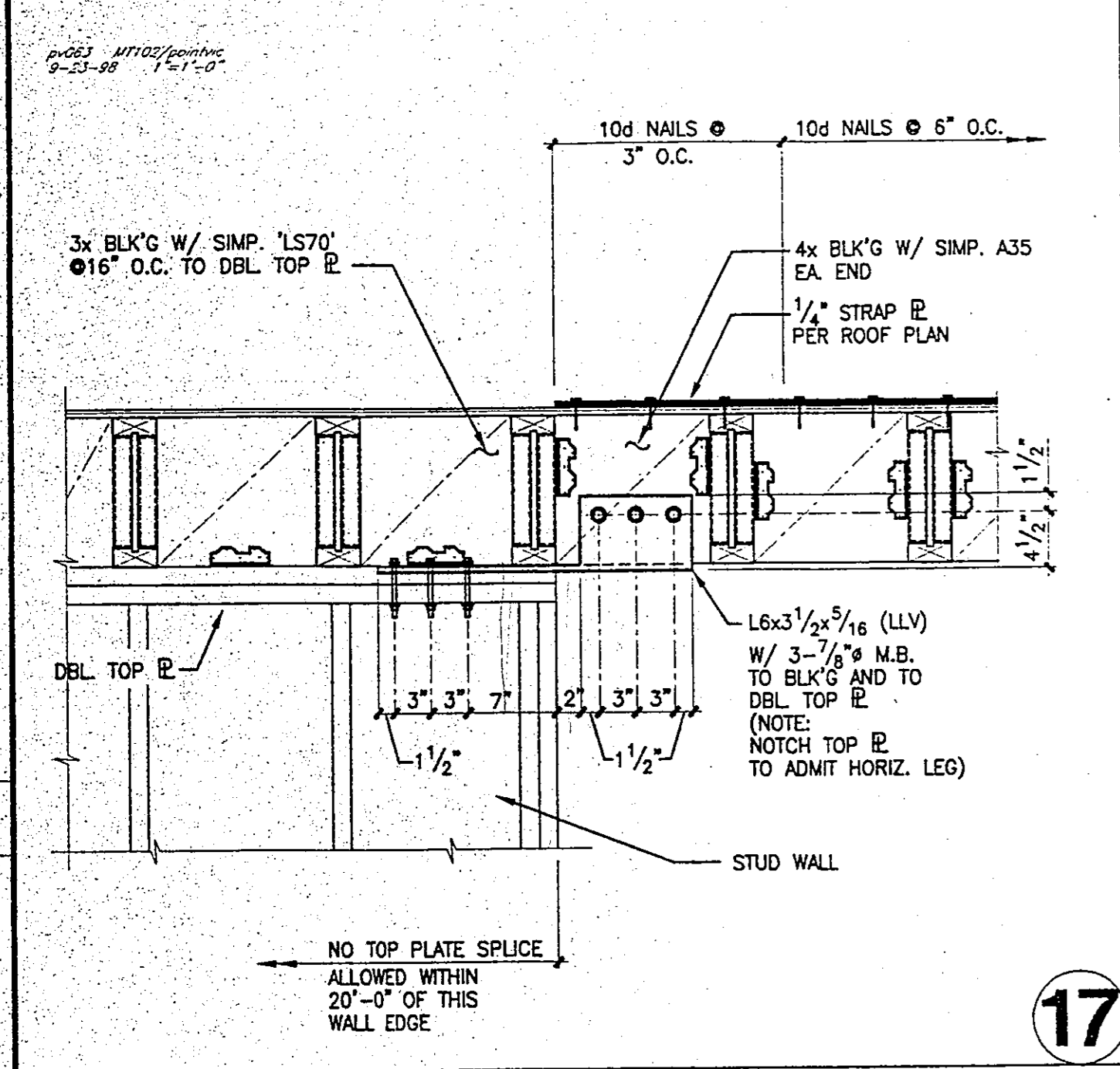
**ABS Consulting**  
 EOE Structural Engineers Division  
 800 Corporate Drive, Suite 300  
 Irvine, Calif. 92602-3300 USA  
 Phone (714) 754-4242  
 Fax (714) 754-4272

**POINT VICENTE INTERPRETIVE CENTER EXPANSION**  
 31500 Via Arroyo Verde West  
 Rancho Palms Verdes, CA

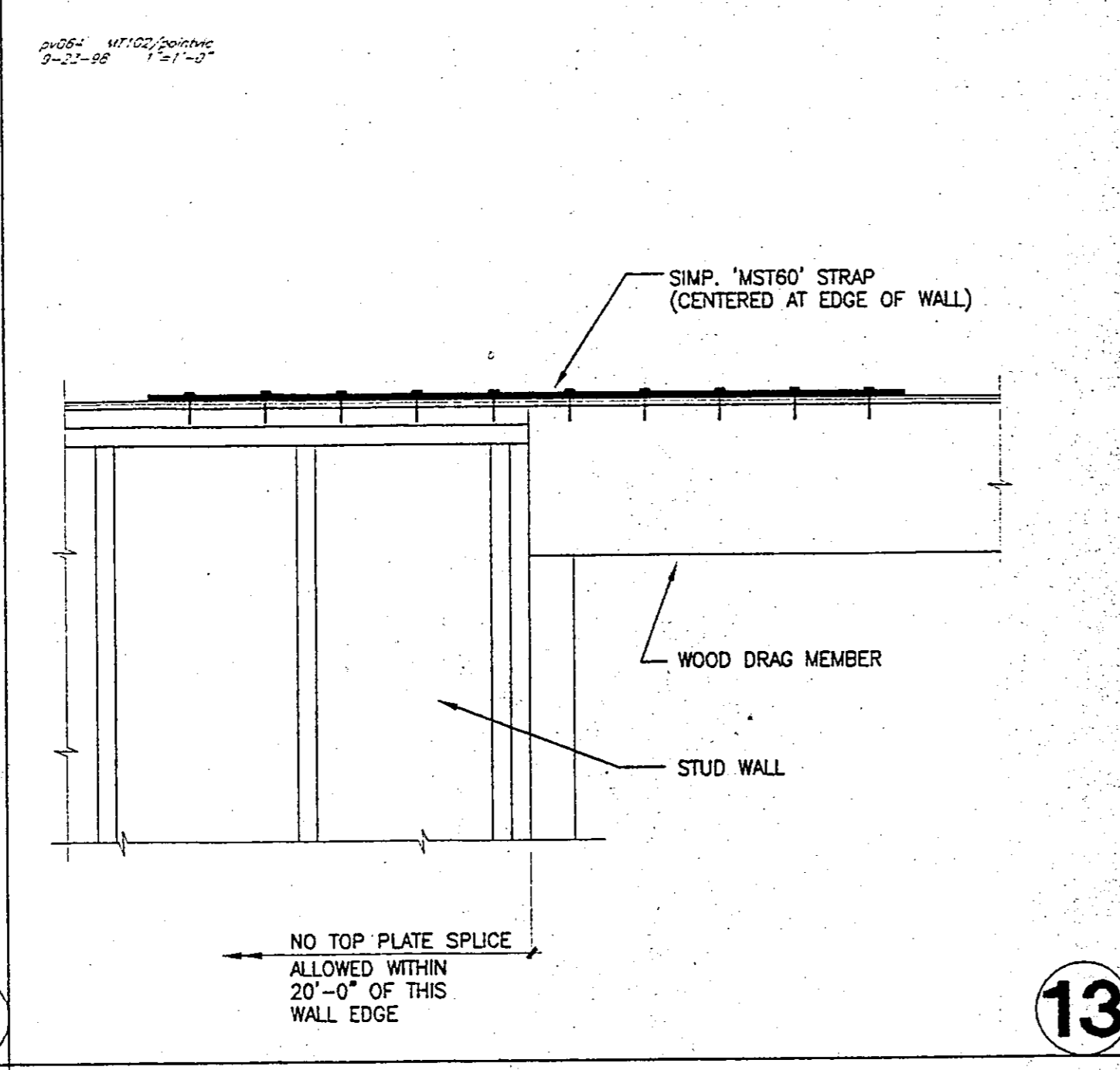
**ROOF FRAMING DETAILS**

DRAWN	SW
CHECKED	SR
DATE	
SCALE	1/4" = 1'-0"
JOB NO.	20654/01
SHEET	

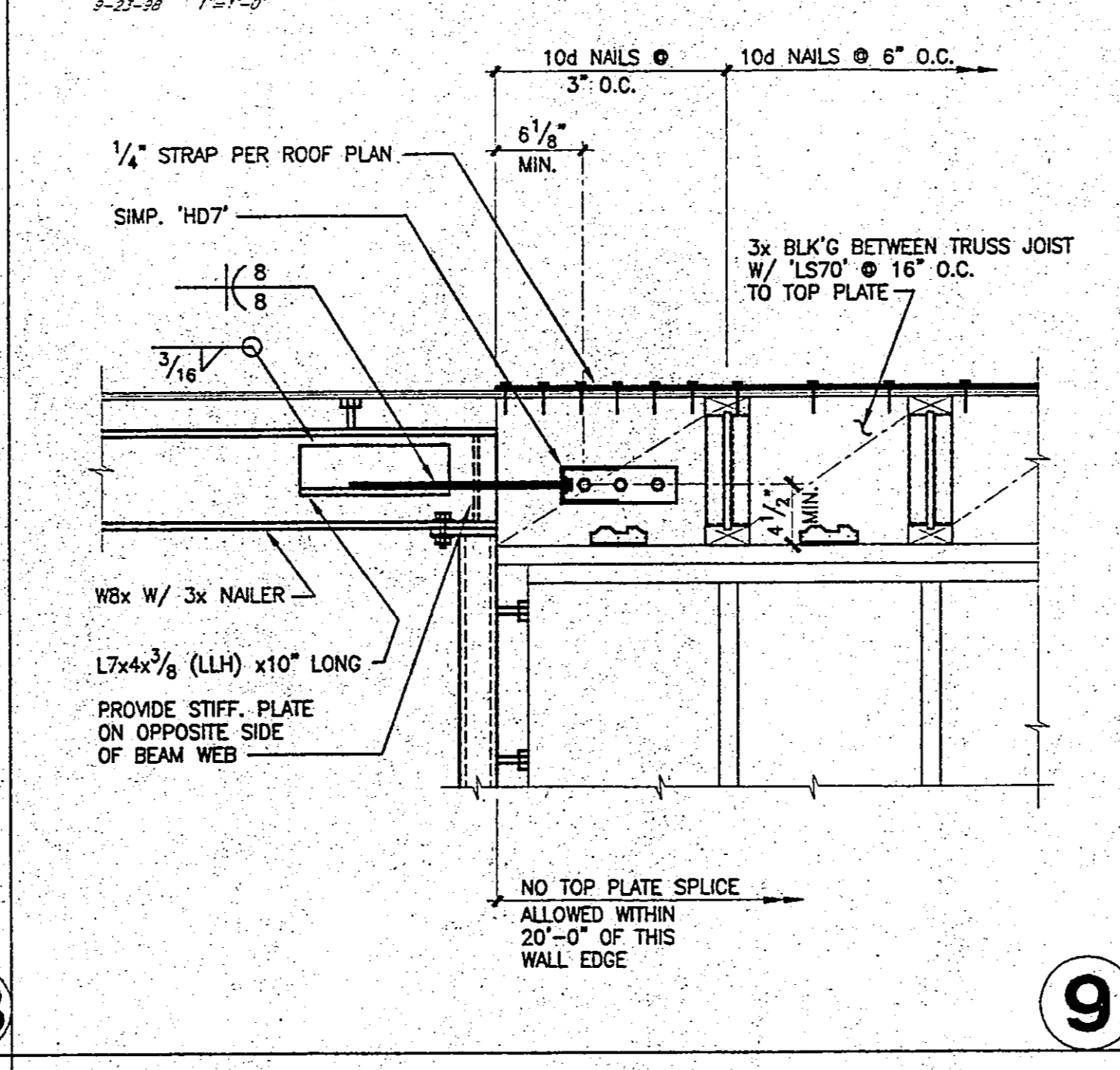
**S5.4**  
 69 SHEETS



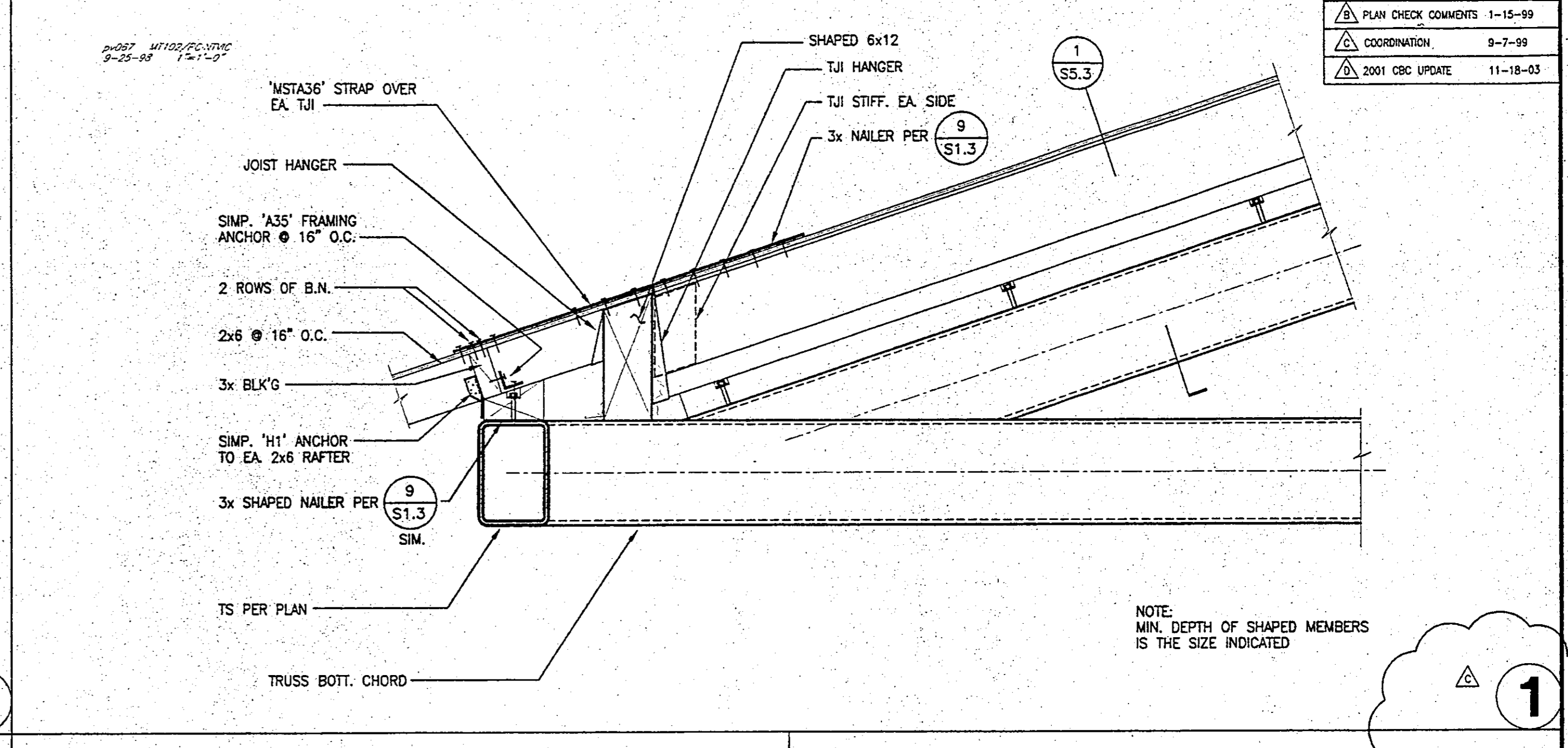
17



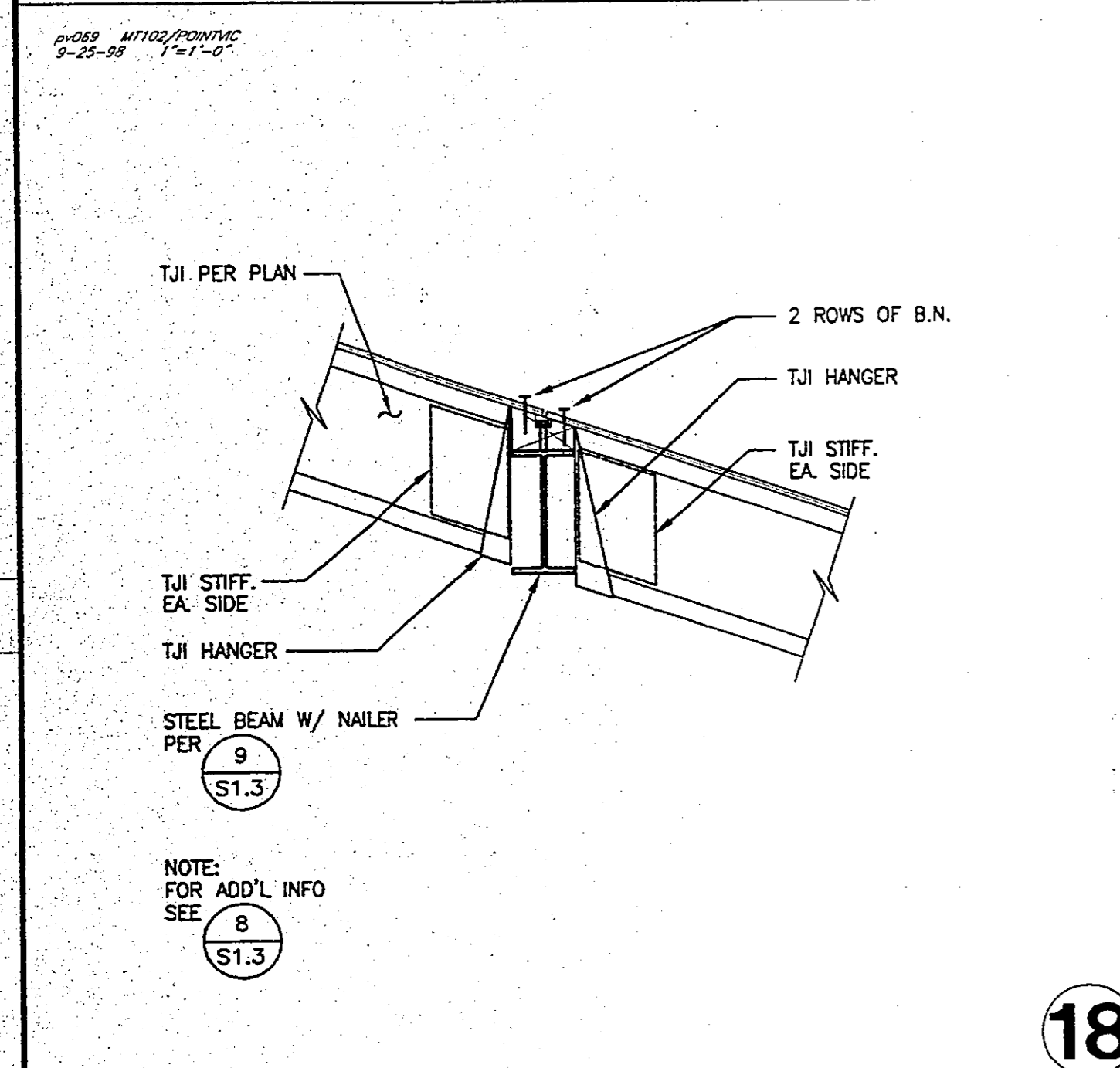
13



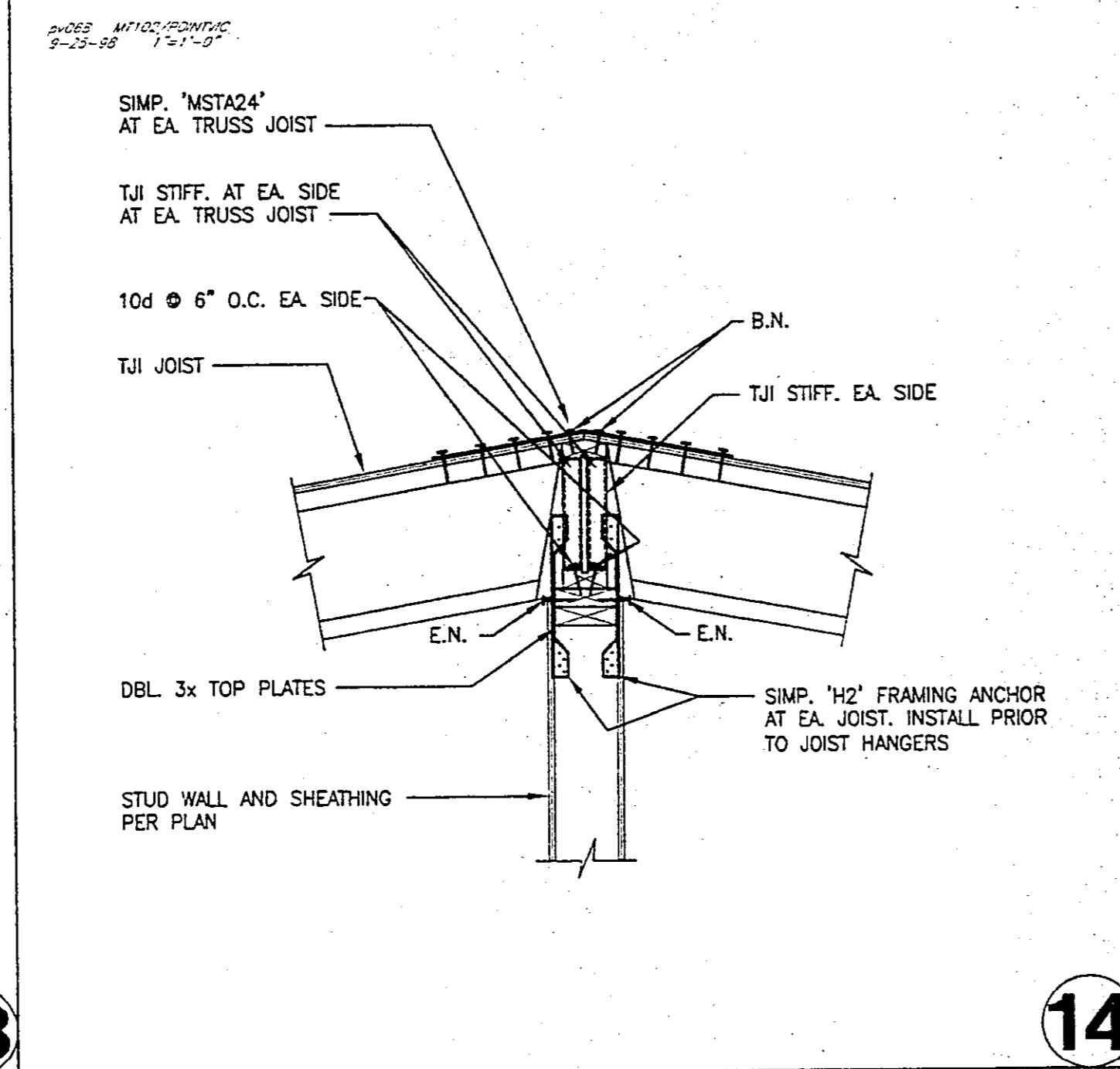
9



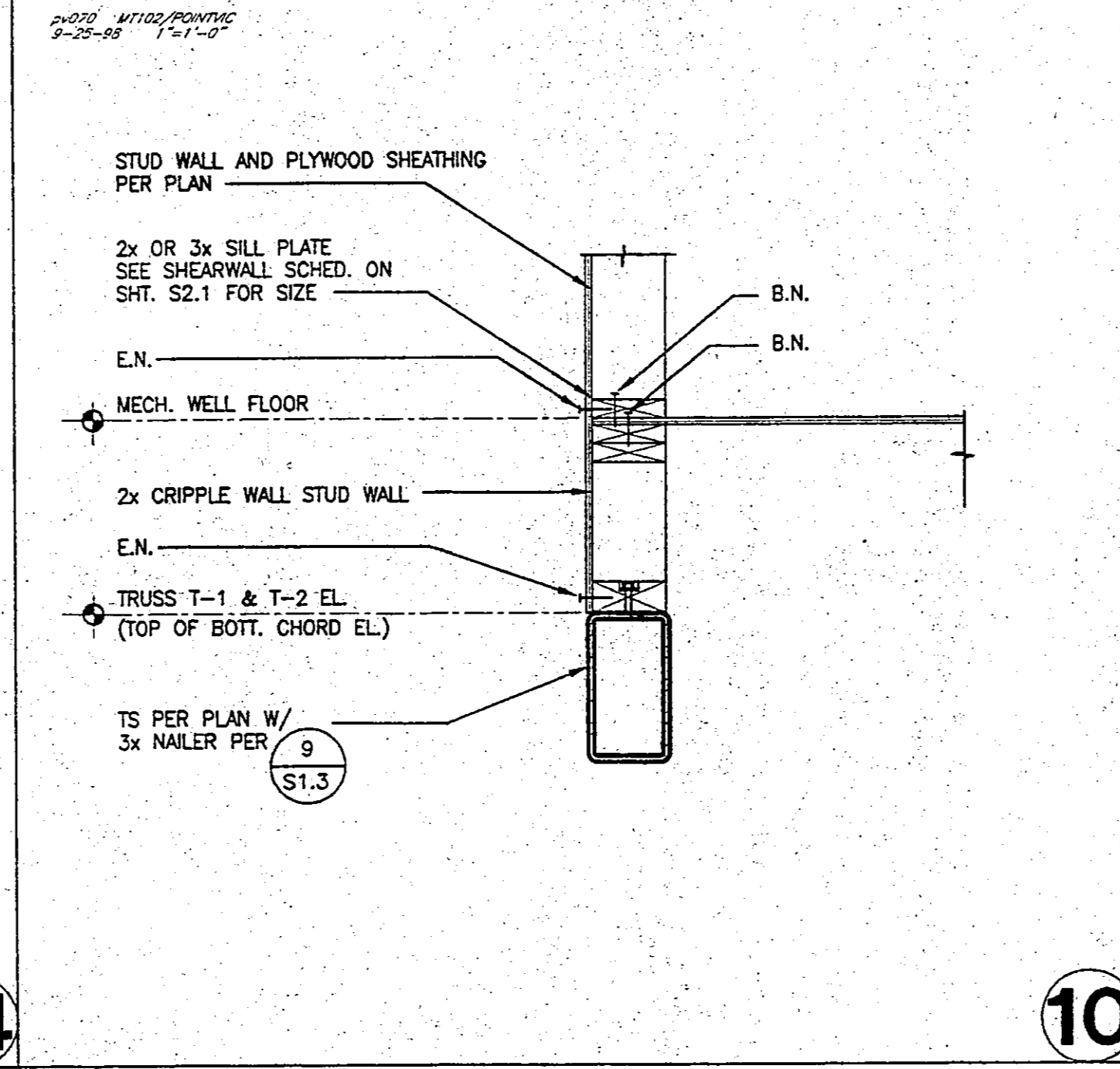
1



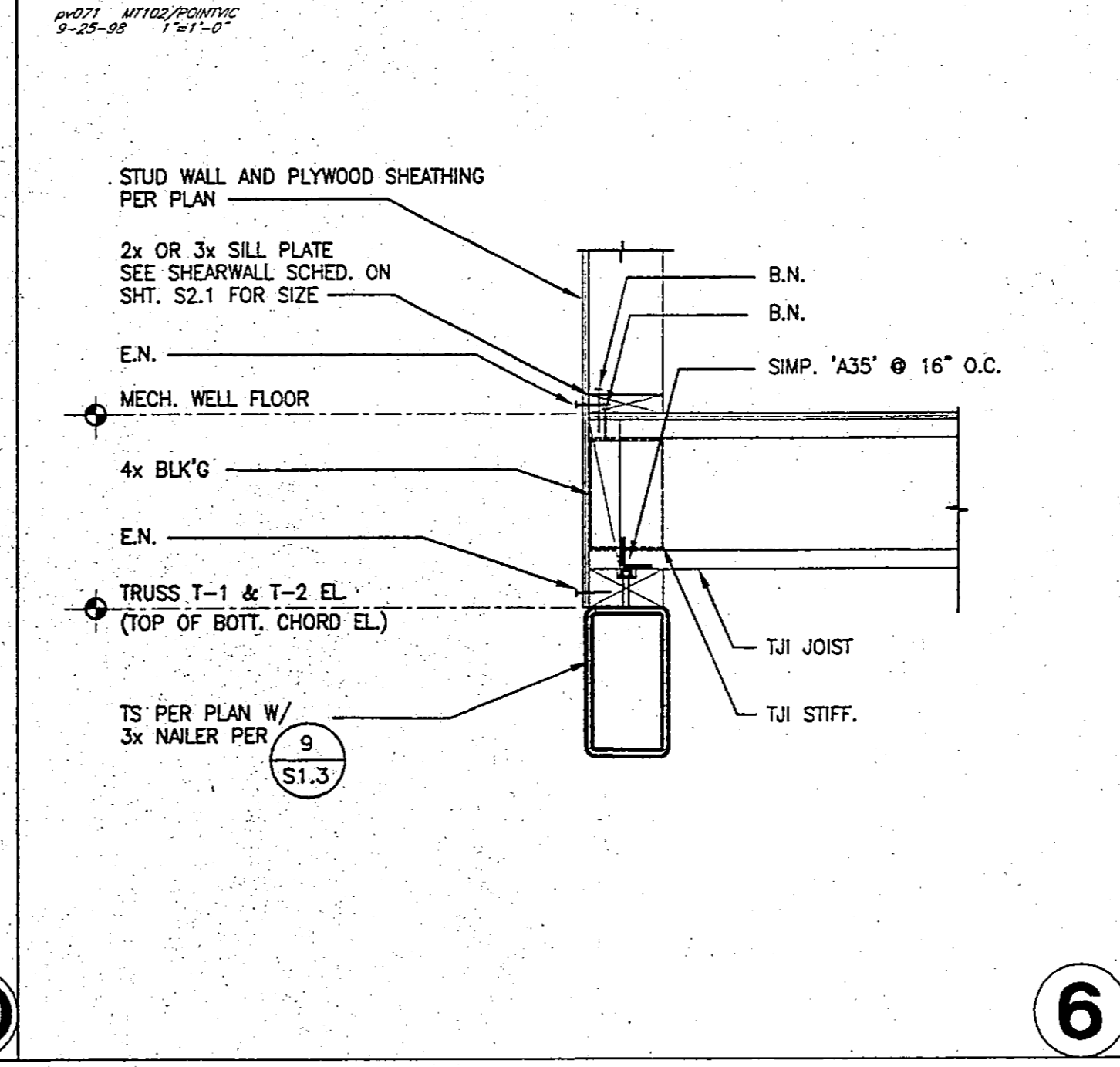
18



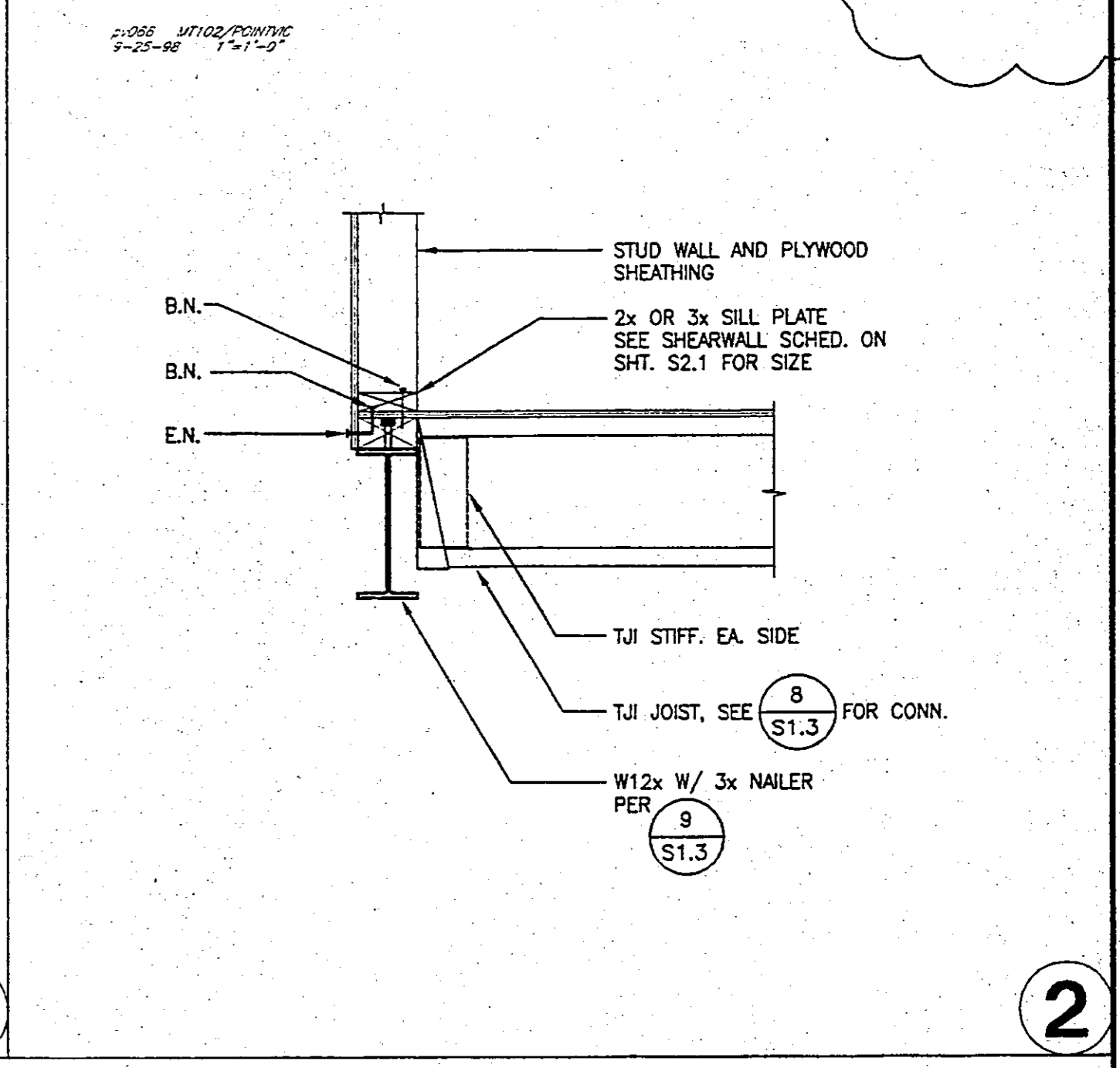
14



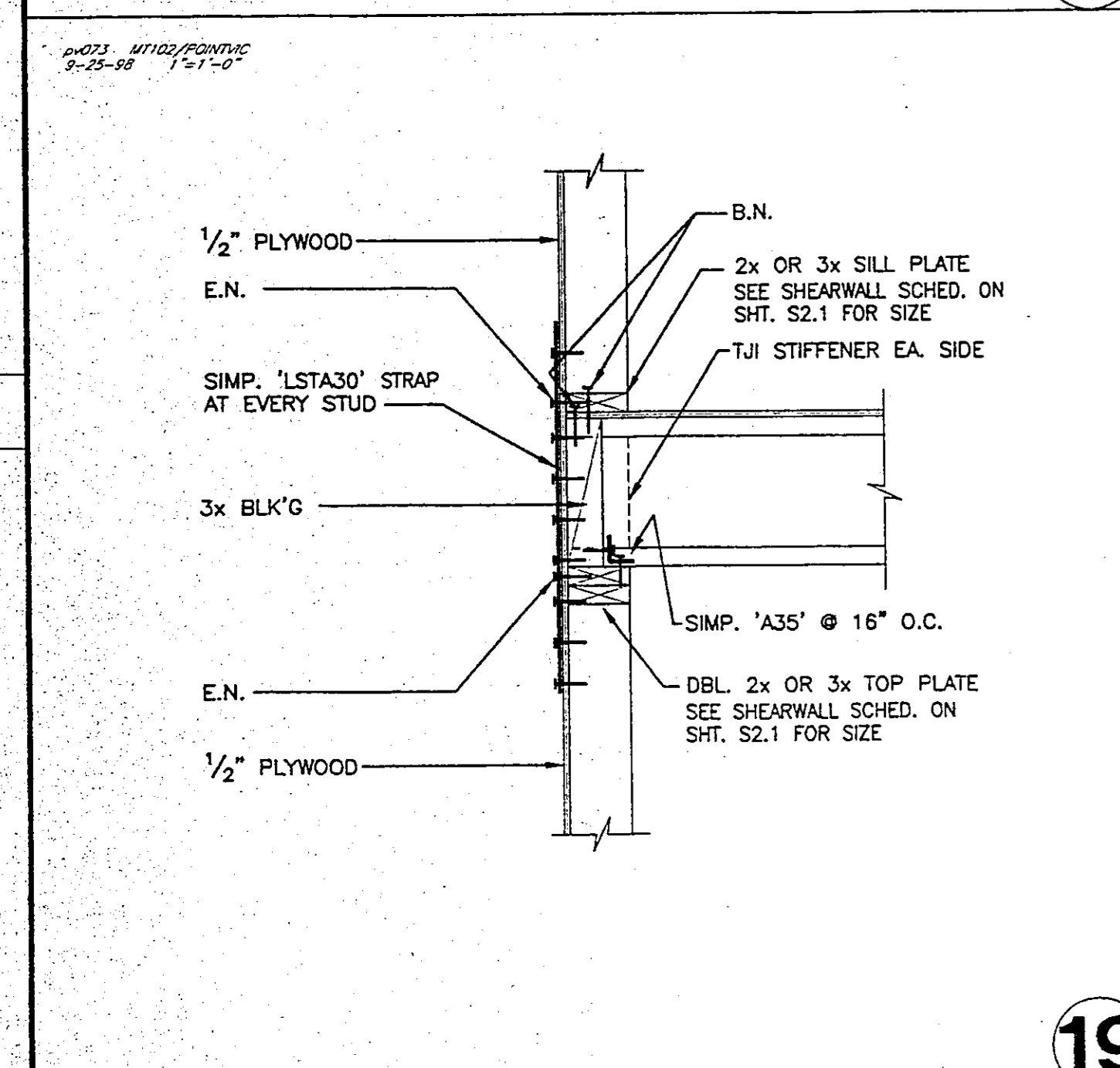
10



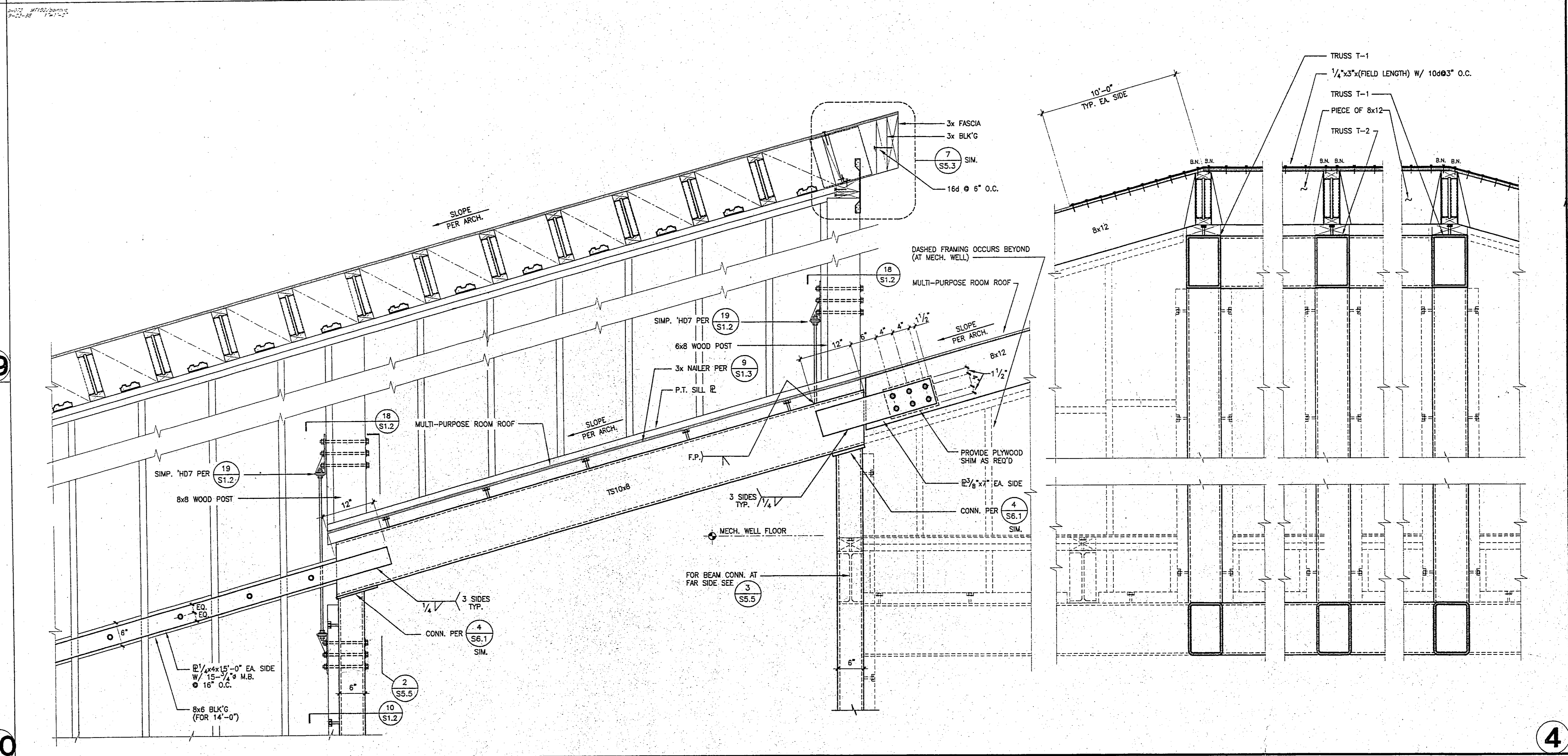
6



2



19



20

4

THESE DRAWINGS DO NOT CONTAIN THE NECESSARY COMPONENTS FOR CONSTRUCTION SAFETY.  
 THESE DRAWINGS DO NOT CONTAIN THE NECESSARY COMPONENTS FOR CONSTRUCTION SAFETY.