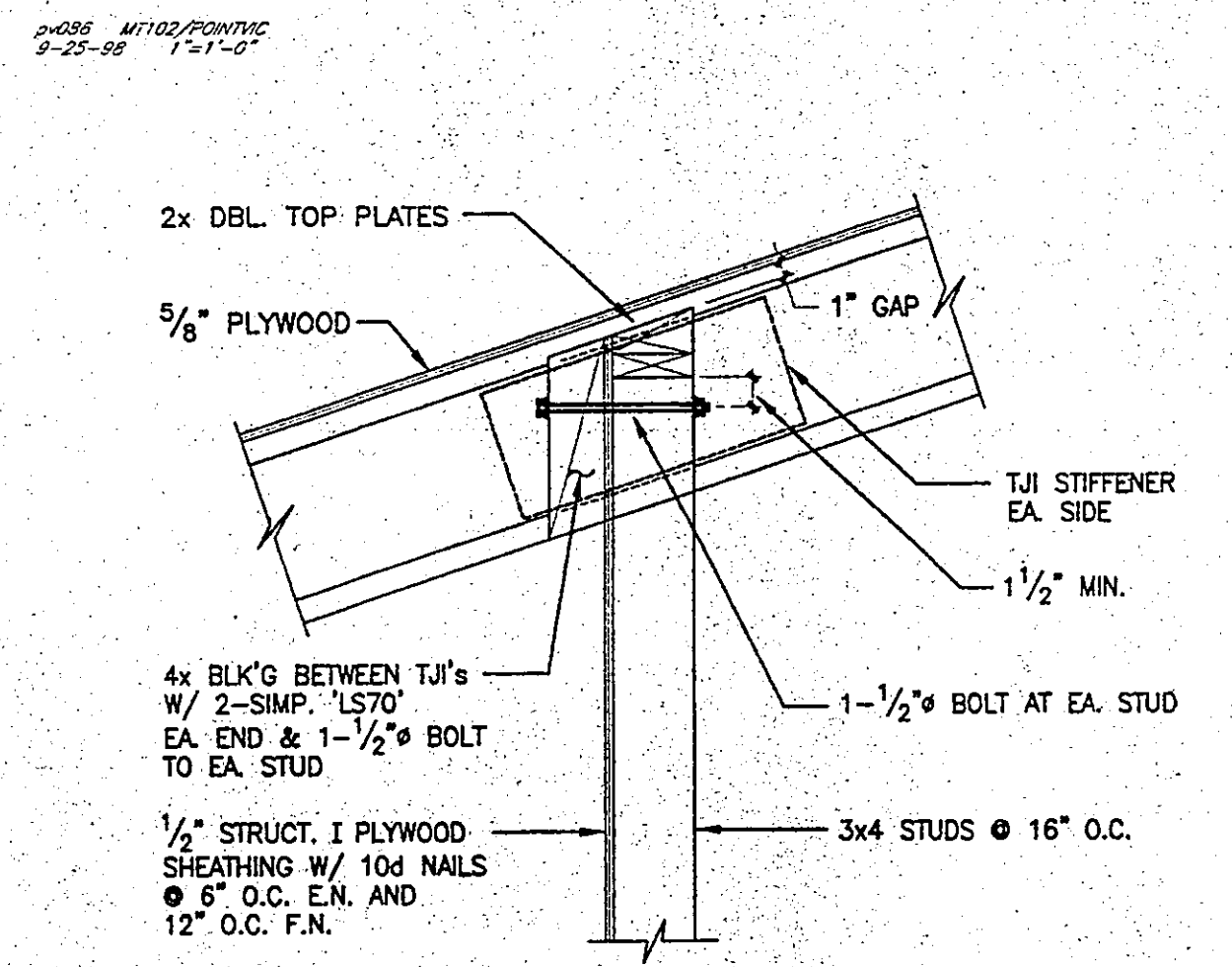
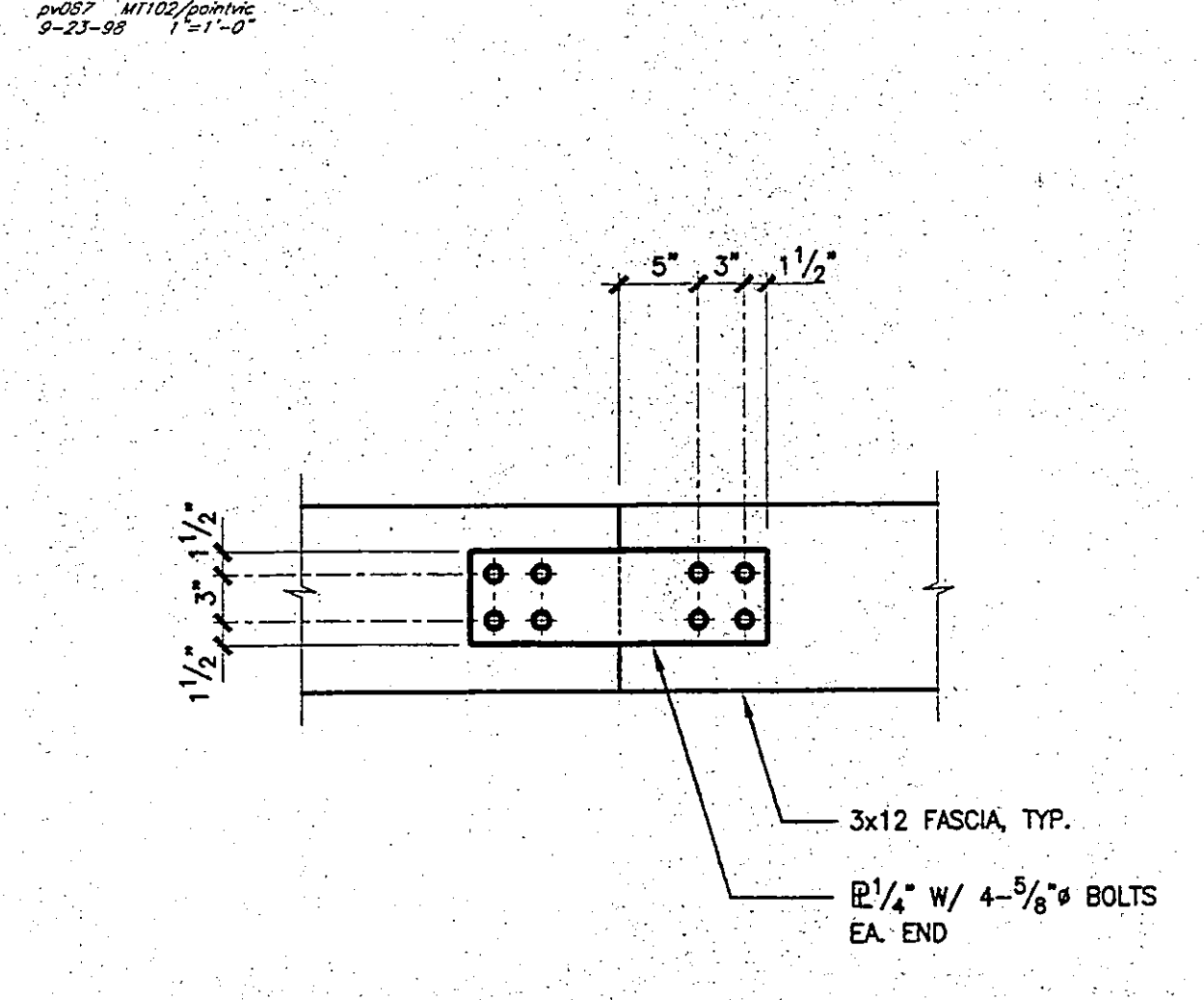


THESE DRAWINGS DO NOT CONTAIN THE NECESSARY COMMENTS FOR CONSTRUCTION SAFETY



13

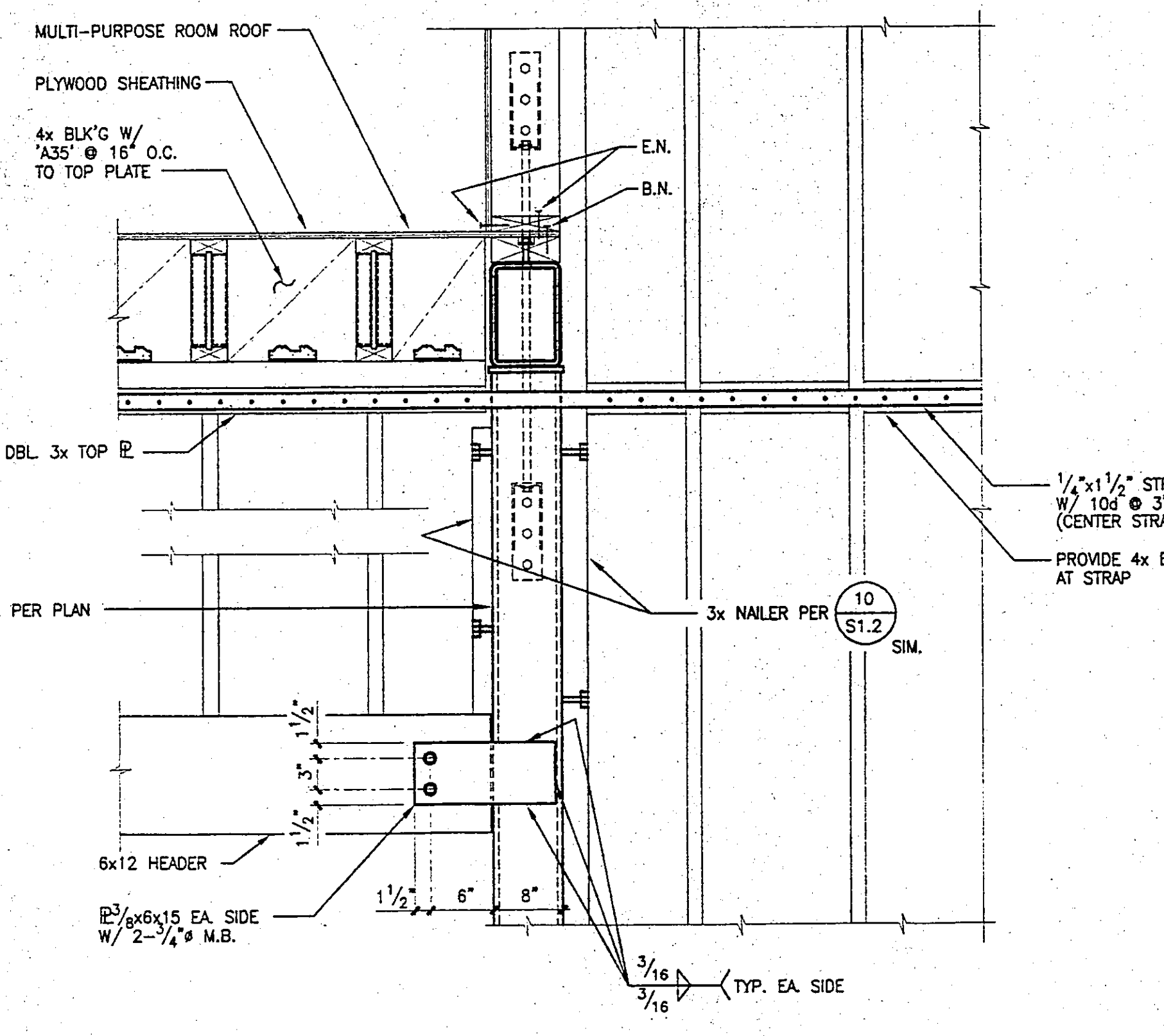
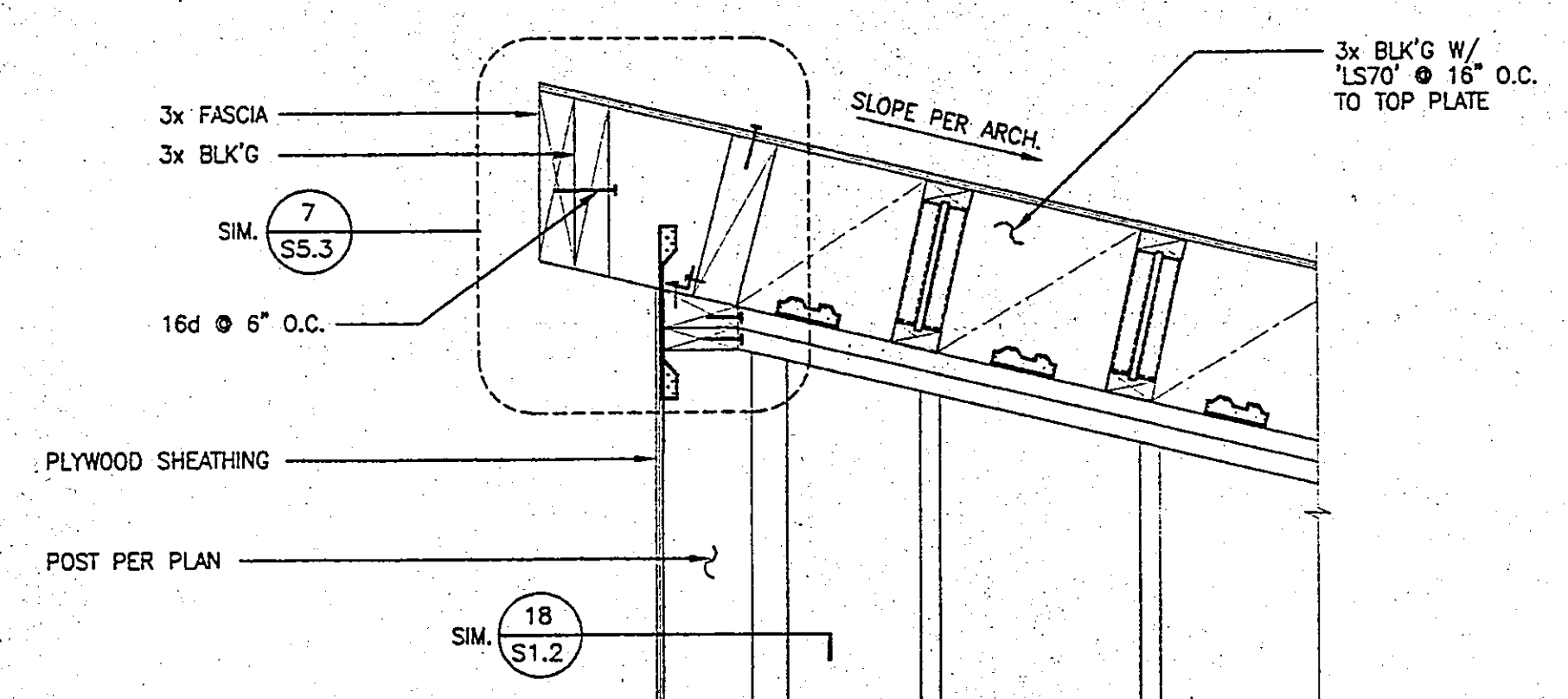
9



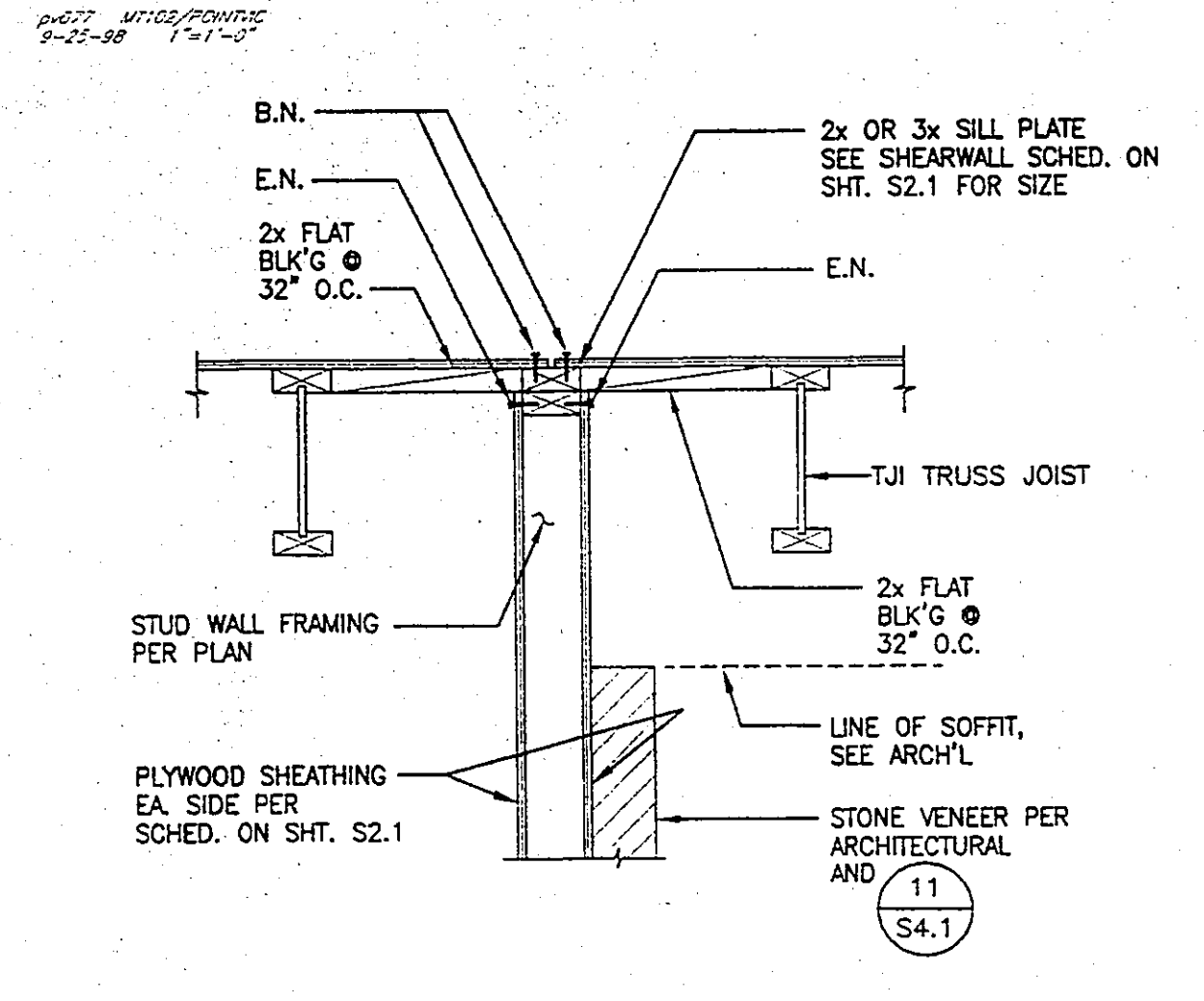
14

10

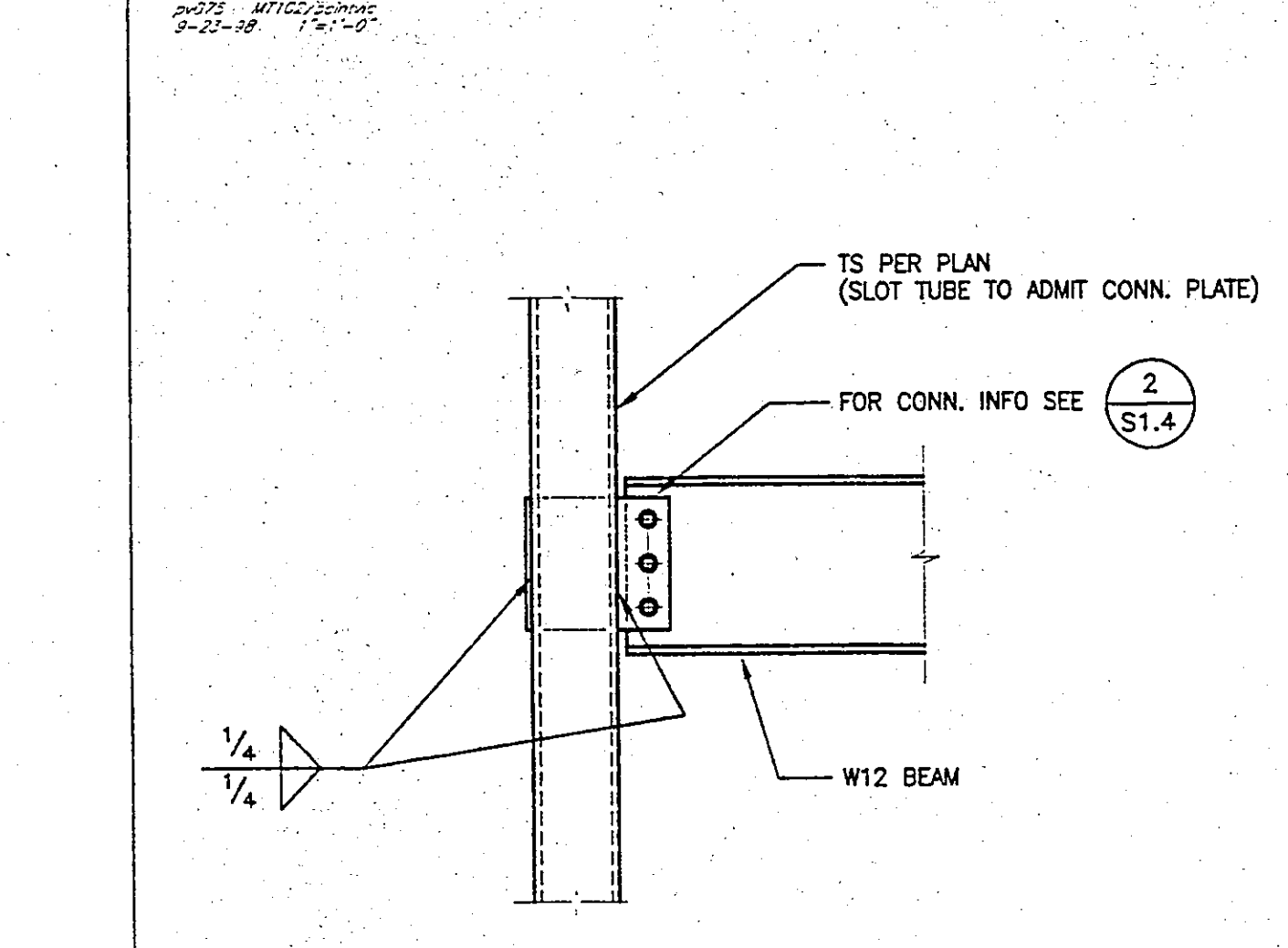
SCALE: 1"=1'-0"



2

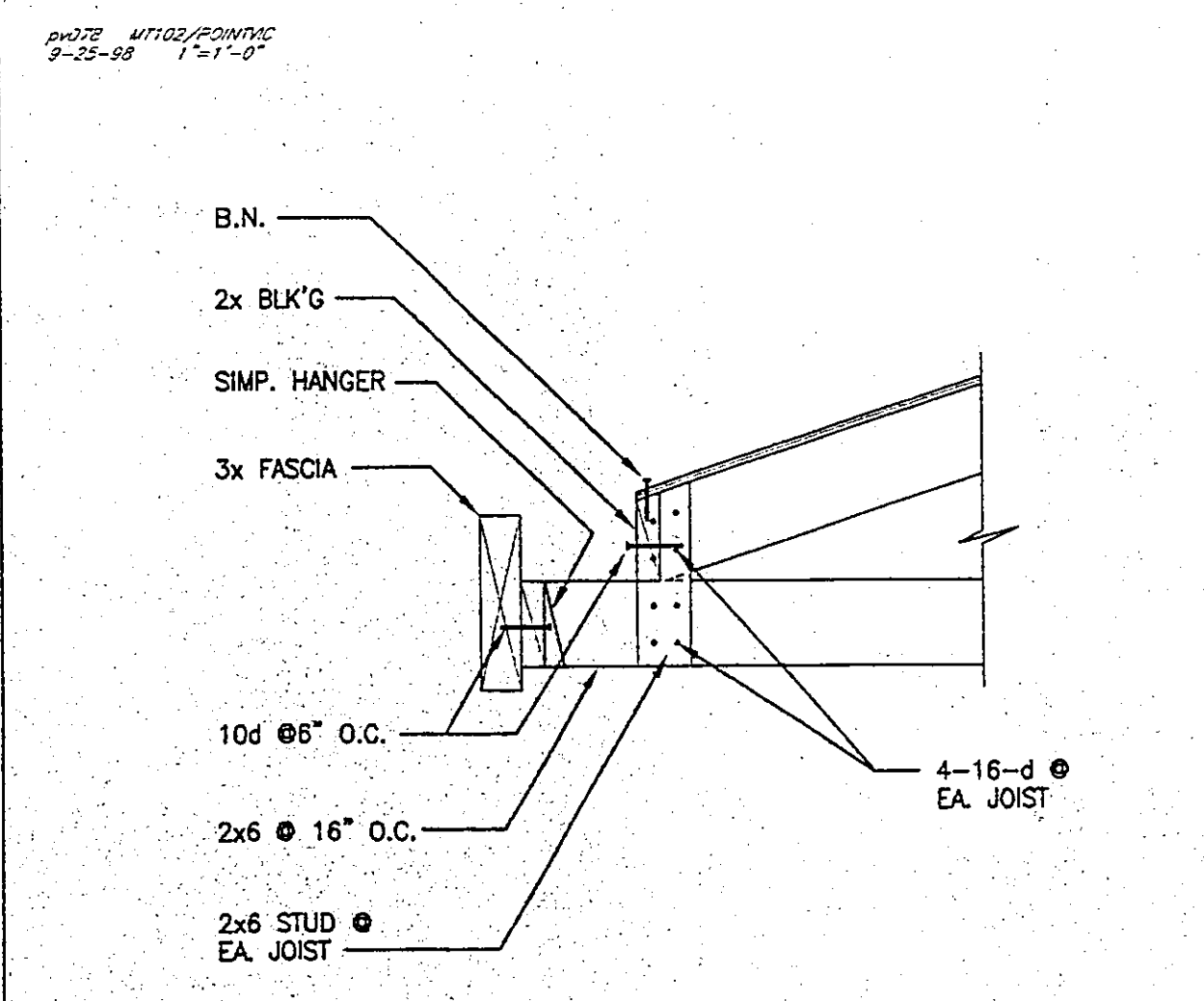


11

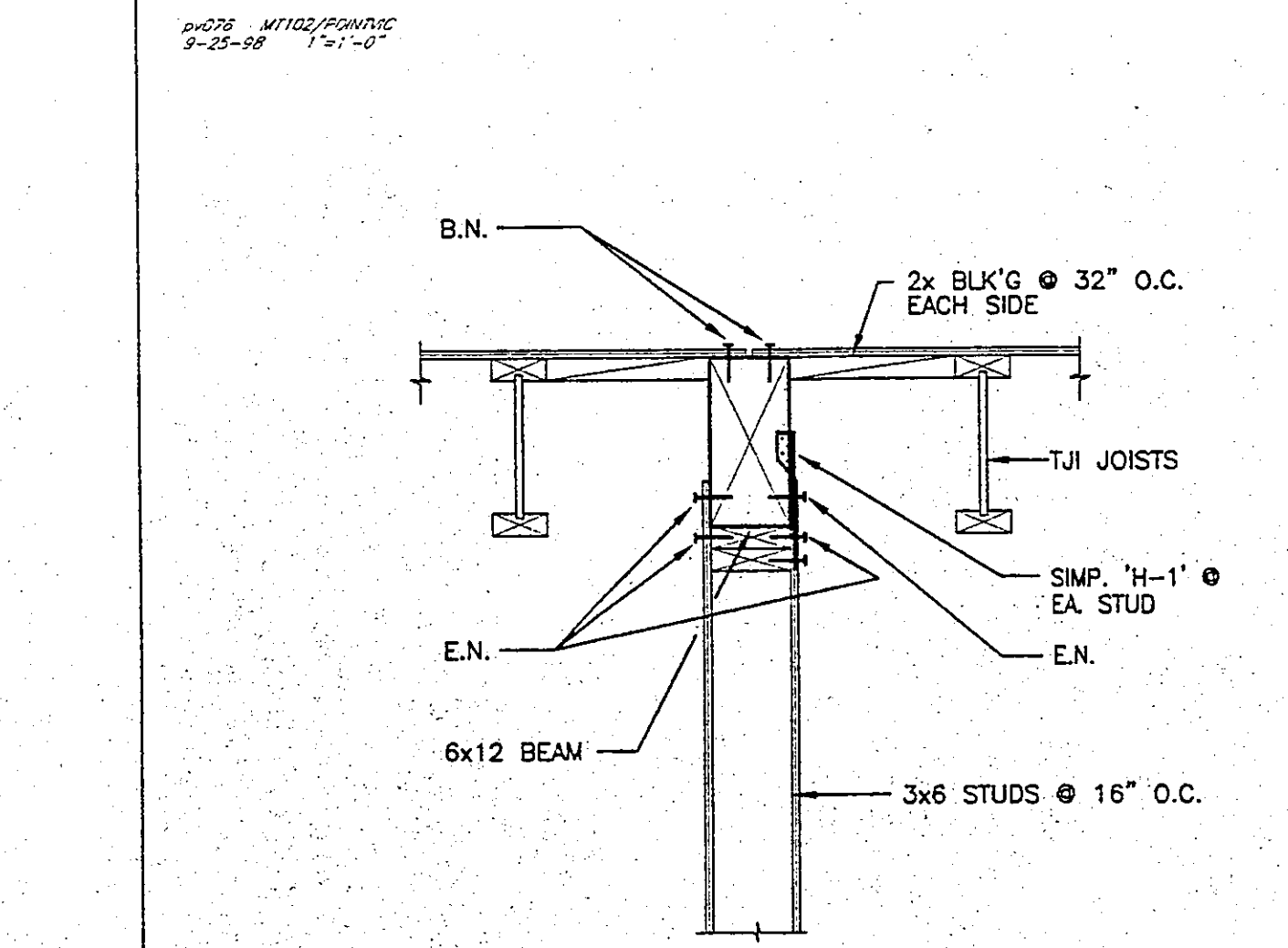


7

3



12



8

4

18

19

20

THIS DOCUMENT IS THE PROPERTY OF ABS CONSULTING. IT IS TO BE USED ONLY FOR THE PROJECT AND SITE SPECIFICALLY IDENTIFIED HEREIN. IT IS NOT TO BE REPRODUCED, COPIED, OR TRANSMITTED IN ANY FORM OR BY ANY MEANS, ELECTRONIC OR MECHANICAL, INCLUDING PHOTOCOPYING, RECORDING, OR BY ANY INFORMATION STORAGE AND RETRIEVAL SYSTEM, WITHOUT THE WRITTEN PERMISSION OF ABS CONSULTING.