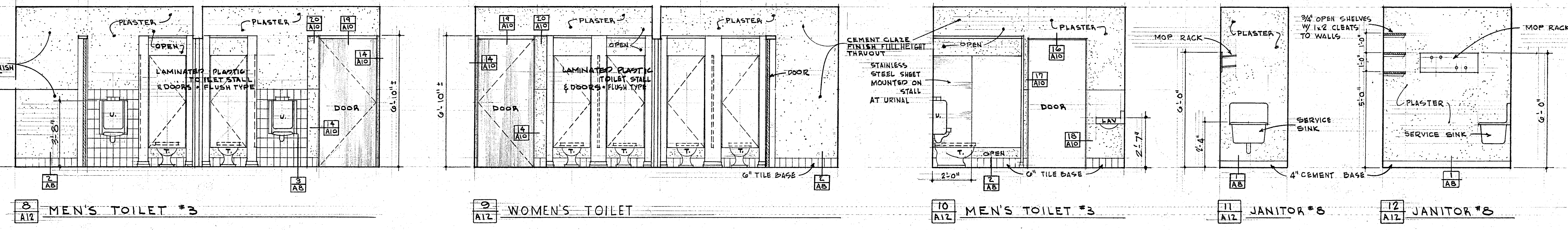
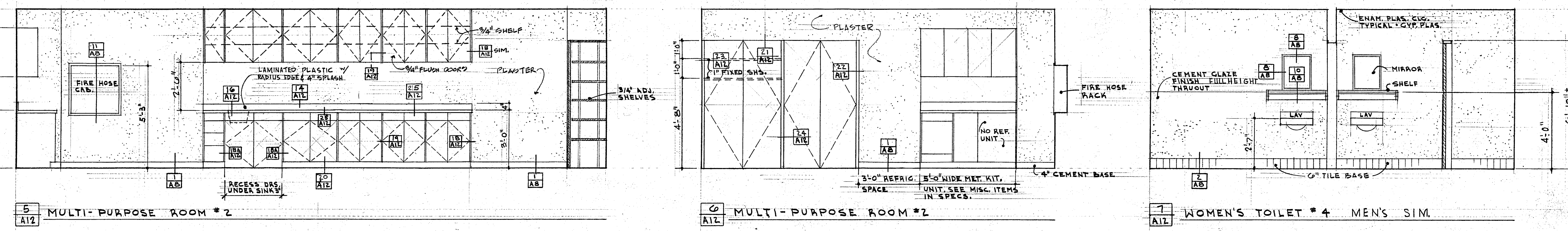
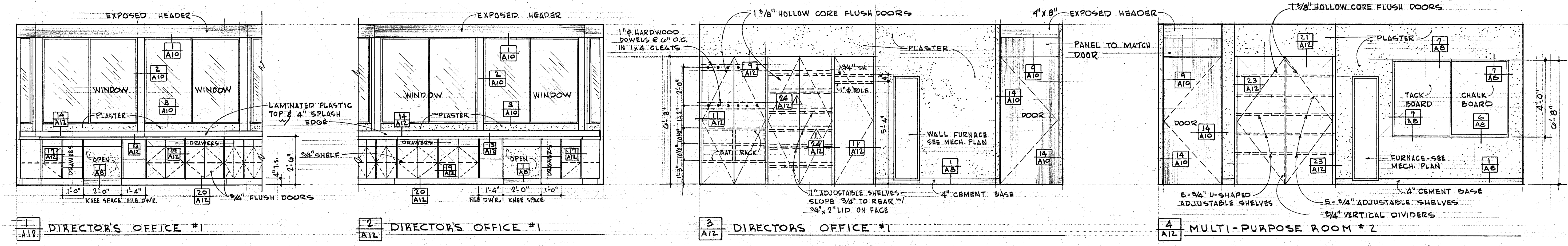
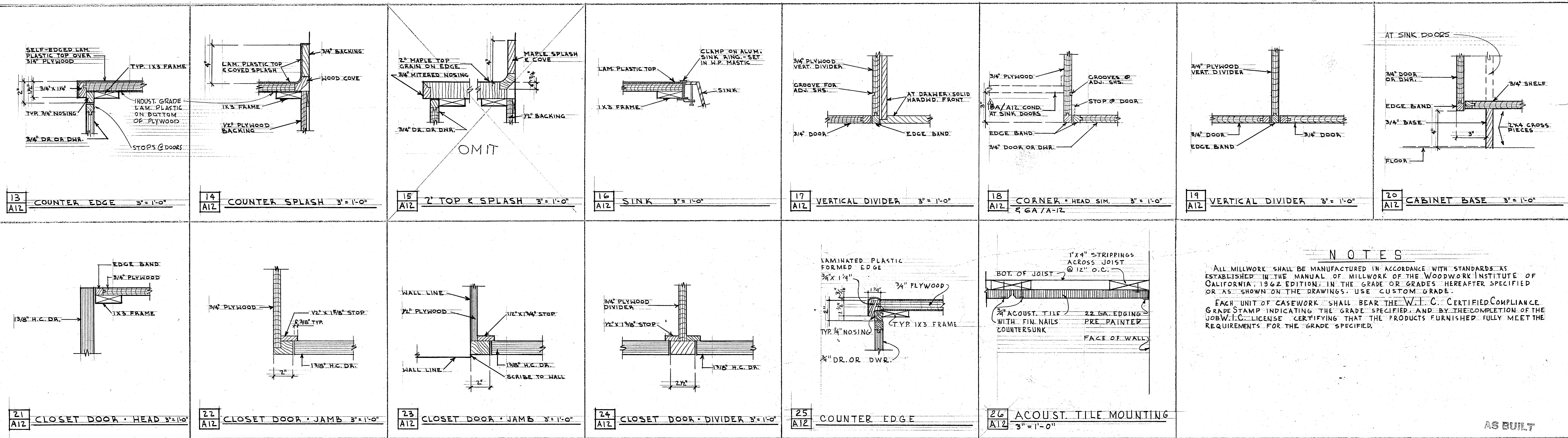


R.P.V. Co. Inc. 1701
 2-10-44
 Cabinet Details Sheet A12 of 24
 ESI FILE CORR. IRVINE, CA
 HANMER E7430



INTERIOR ELEVATIONS



NOTES

ALL MILLWORK SHALL BE MANUFACTURED IN ACCORDANCE WITH STANDARDS AS ESTABLISHED IN THE MANUAL OF MILLWORK OF THE WOODWORK INSTITUTE OF CALIFORNIA, 1962 EDITION, IN THE GRADE OR GRADES HEREAFTER SPECIFIED OR AS SHOWN ON THE DRAWINGS. USE CUSTOM GRADE.

EACH UNIT OF CASEWORK SHALL BEAR THE W.I.C. CERTIFIED COMPLIANCE GRADE STAMP INDICATING THE GRADE SPECIFIED, AND BY THE COMPLETION OF THE JOB W.I.C. LICENSE CERTIFYING THAT THE PRODUCTS FURNISHED FULLY MEET THE REQUIREMENTS FOR THE GRADE SPECIFIED.

AS BUILT