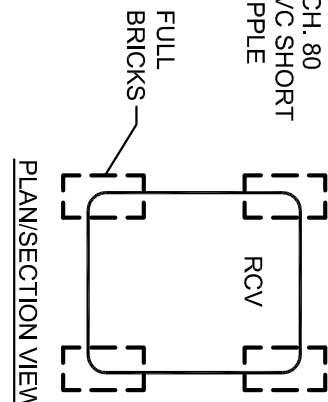


- NOTES:
1. INSTALL CONTROL VALVES A MINIMUM OF 12" FROM STRUCTURES OR HARDSCAPING.
  2. INSTALL VALVES IN PLANTER AREAS WHEREVER POSSIBLE AND NEXT TO SIDE WALKS.
  3. PLACE VALVE BOX AT RIGHT ANGLES TO STRUCTURES OR HARDSCAPING.
  4. PLACE AGGREGATE PRIOR TO INSTALLATION OF VALVE BOX.
  5. ATTACH PLASTIC IDENTIFICATION TAG WITH APPROPRIATE CONTROLLER AND VALVE NUMBER.



**ROBERT E. RYAN PARK**  
**FIELD IMPROVEMENTS**  
 HAWTHORNE BLVD., RANCHO PALOS VERDES, CA

WITHERS & SANDGREN, LTD.  
 LANDSCAPE ARCHITECTURE & PLANNING  
 P.O. BOX 276, MONTROSE, CA 91021-0276  
 (818) 291-0200  
 mail@wITHERSandsandgren.com

TITLE		REMOTE CONTROL VALVE (B-1)	
DATE	01/05/11	SHEET NO.	L-4
SCALE	NTS	FRF NO.	
CHECKED	LW	DRAWN	DDH
		BID ADDENDUM	